



## APPENDIX

# ALPHA ALTERNATOR

DIMENSIONS, INSTALLATION DRAWINGS AND CHARACTERISTICS



## TABLE OF CONTENTS

<b>1</b>	<b>DIMENSIONS</b> .....	<b>3</b>
1.1	Dimensions Alpha alternator model 12/90 .....	3
1.2	Dimensions Alpha alternator models 12/130, 24/75 and 24/110 .....	4
1.3	Dimensions Alpha alternator model 24/150 .....	5
1.4	Dimensions Alpha Pro III regulator .....	6
<b>2</b>	<b>INSTALLATION DRAWINGS AND INSTRUCTIONS</b> .....	<b>7</b>
2.1	Alpha Alternator model 12/90 .....	7
2.2	Alpha Alternator models 12/130, 24/75 and 24/110 .....	8
2.3	Alpha Alternator model 24/150 .....	9
2.4	Standard Bosch alternator .....	10
2.5	Instruction for modification of standard Bosch alternators .....	11
2.6	Installation examples for Alpha alternator model 12/90 .....	12
2.7	Installation examples for Alpha alternator models 12/130, 24/75 and 24/110 .....	14
<b>3</b>	<b>CHARACTERISTICS</b> .....	<b>15</b>
3.1	Charge current versus RPM .....	15

# 1 DIMENSIONS

## 1.1 DIMENSIONS ALPHA ALTERNATOR MODEL 12/90

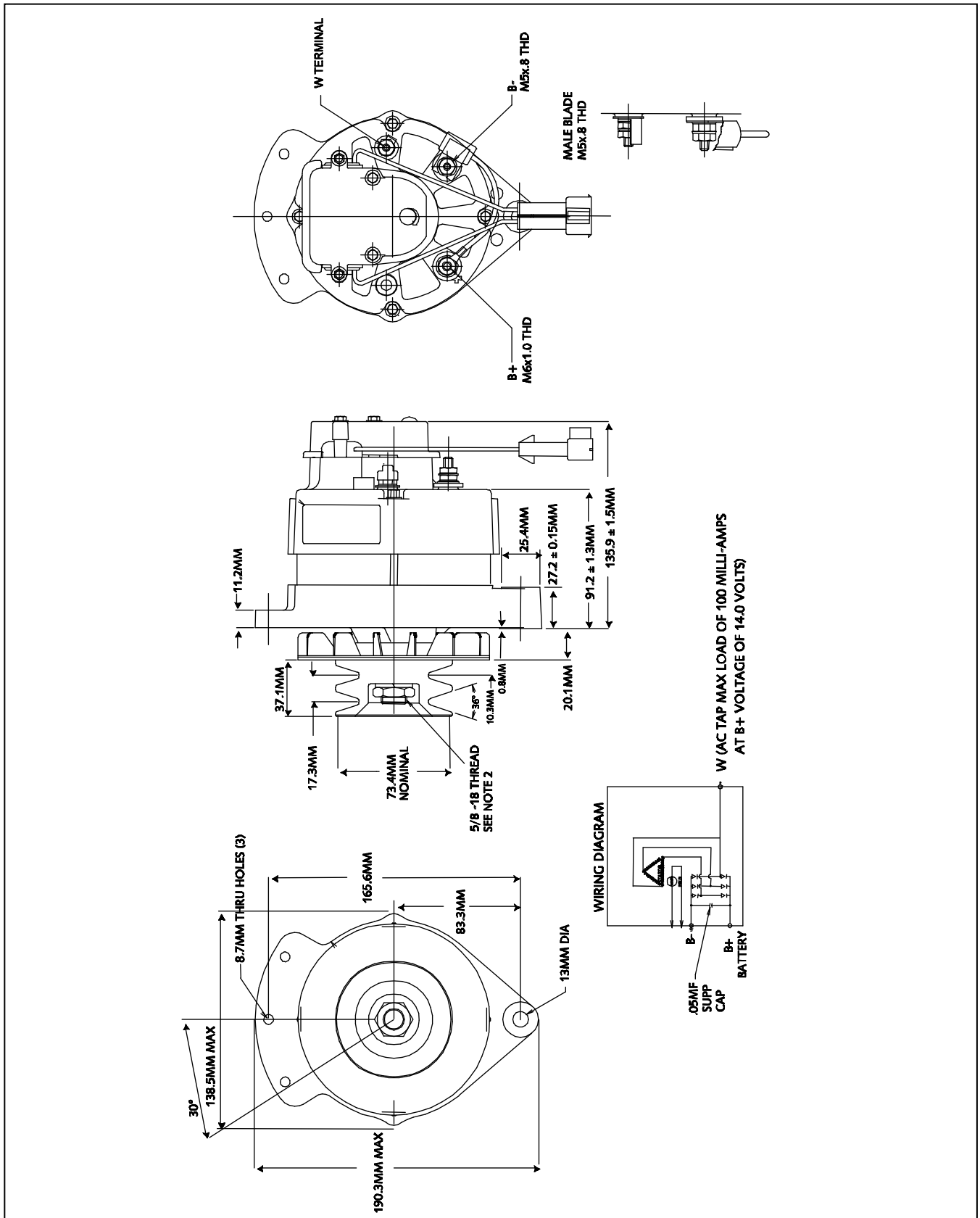


Figure A-1: Dimensions Alpha alternator model 12/90 (enclosure A)

1.2 DIMENSIONS ALPHA ALTERNATOR MODELS 12/130, 24/75 AND 24/110

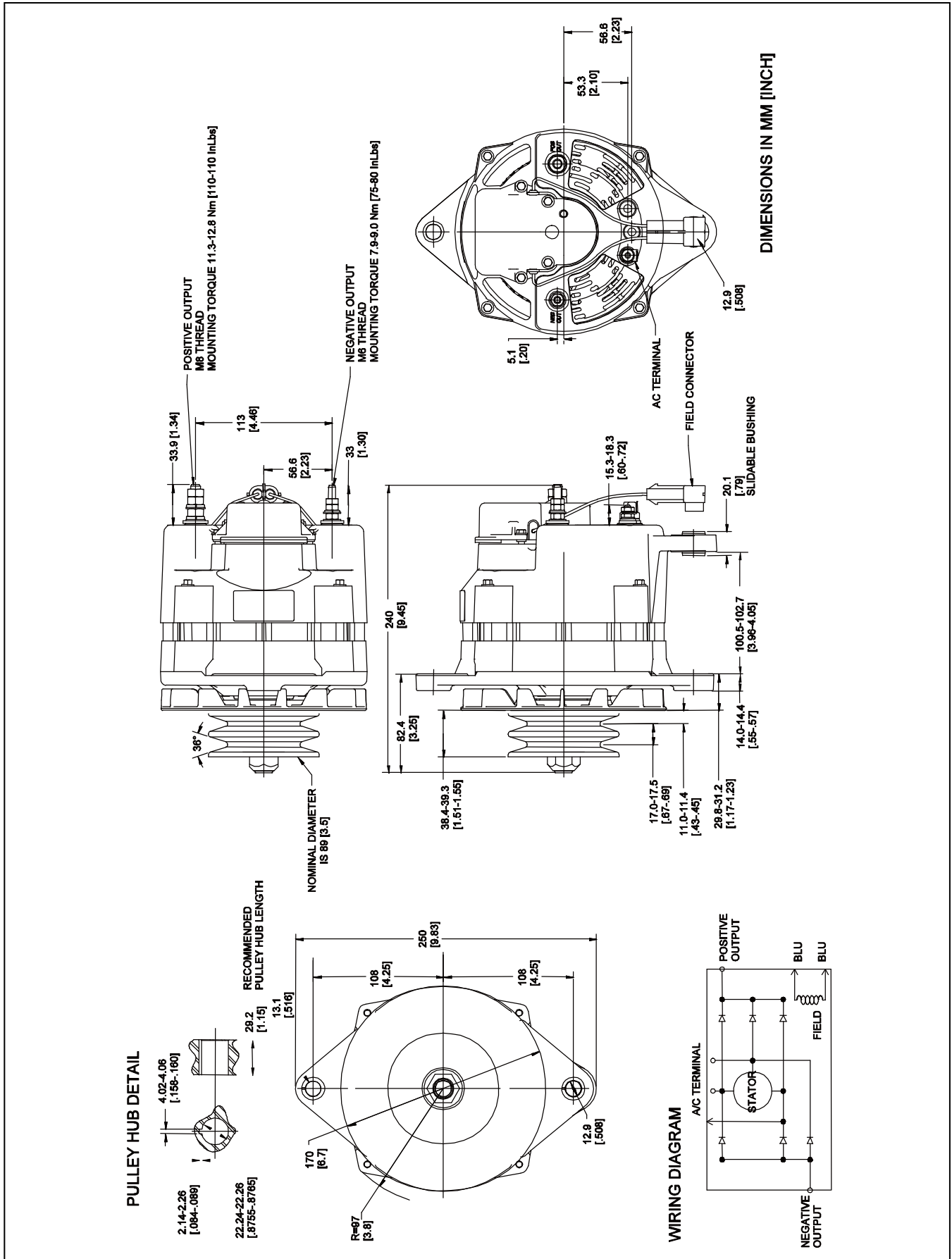


Figure A-2: Dimensions Alpha alternator models 12/130, 24/75, 24/110 and 24/150 (enclosure B)

1.3 DIMENSIONS ALPHA ALTERNATOR MODEL 24/150

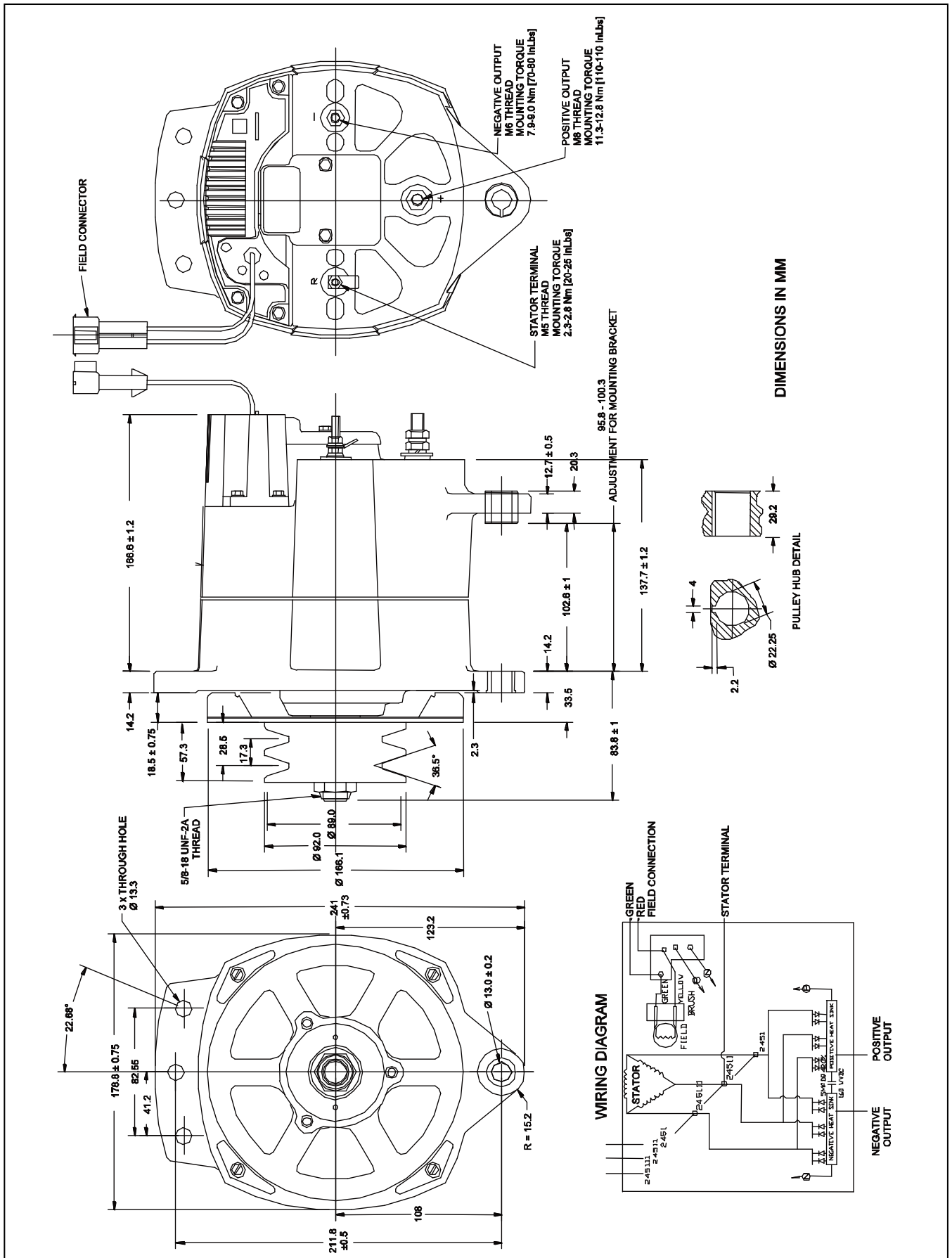


Figure A-3: Dimensions Alpha alternator model 24/150 (enclosure C)

## 1.4 DIMENSIONS ALPHA PRO III REGULATOR

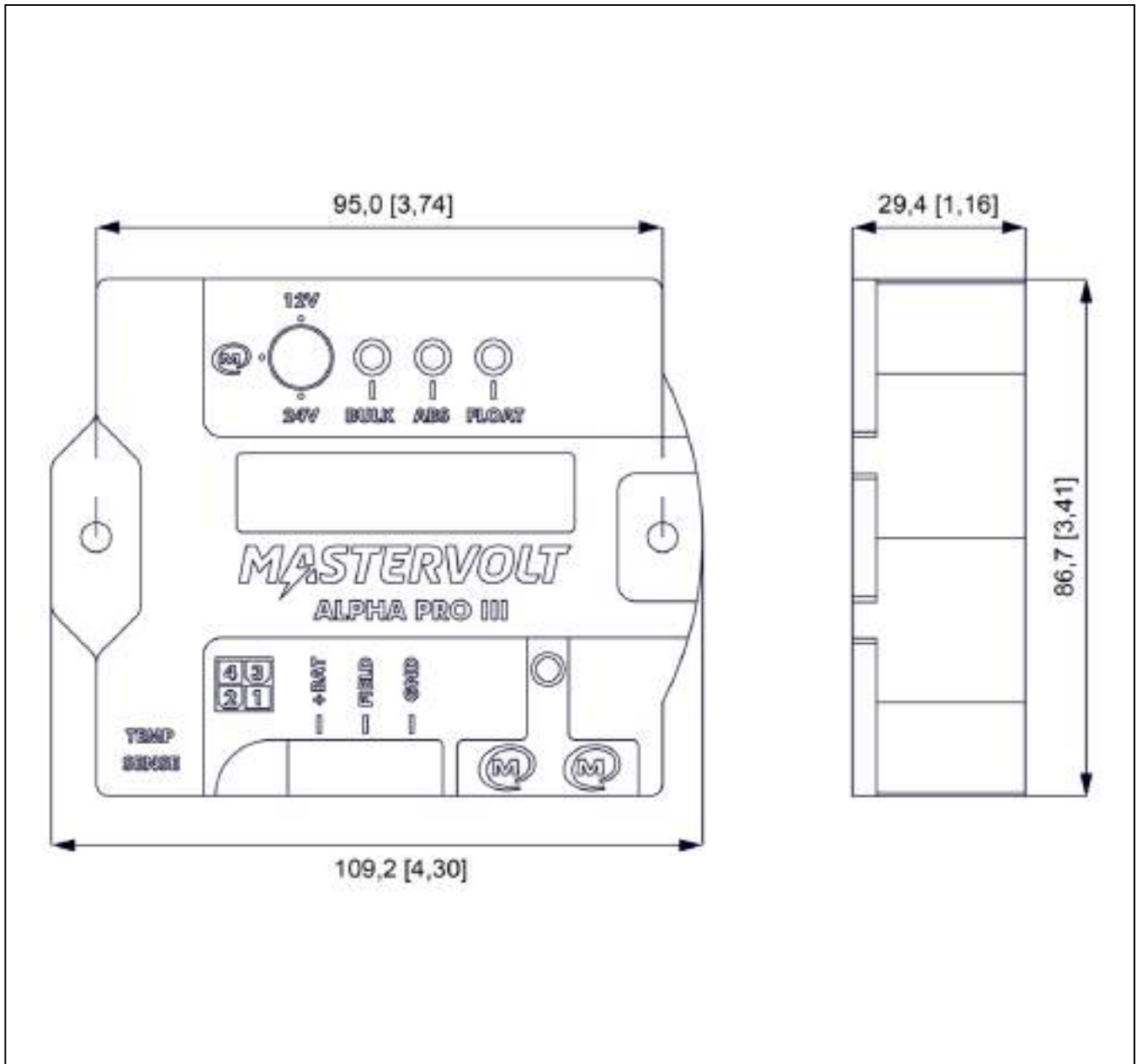


Figure A-5: Dimensions of the Alpha Pro III regulator (all models)

## 2 INSTALLATION DRAWINGS AND INSTRUCTIONS

### 2.1 ALPHA ALTERNATOR MODEL 12/90

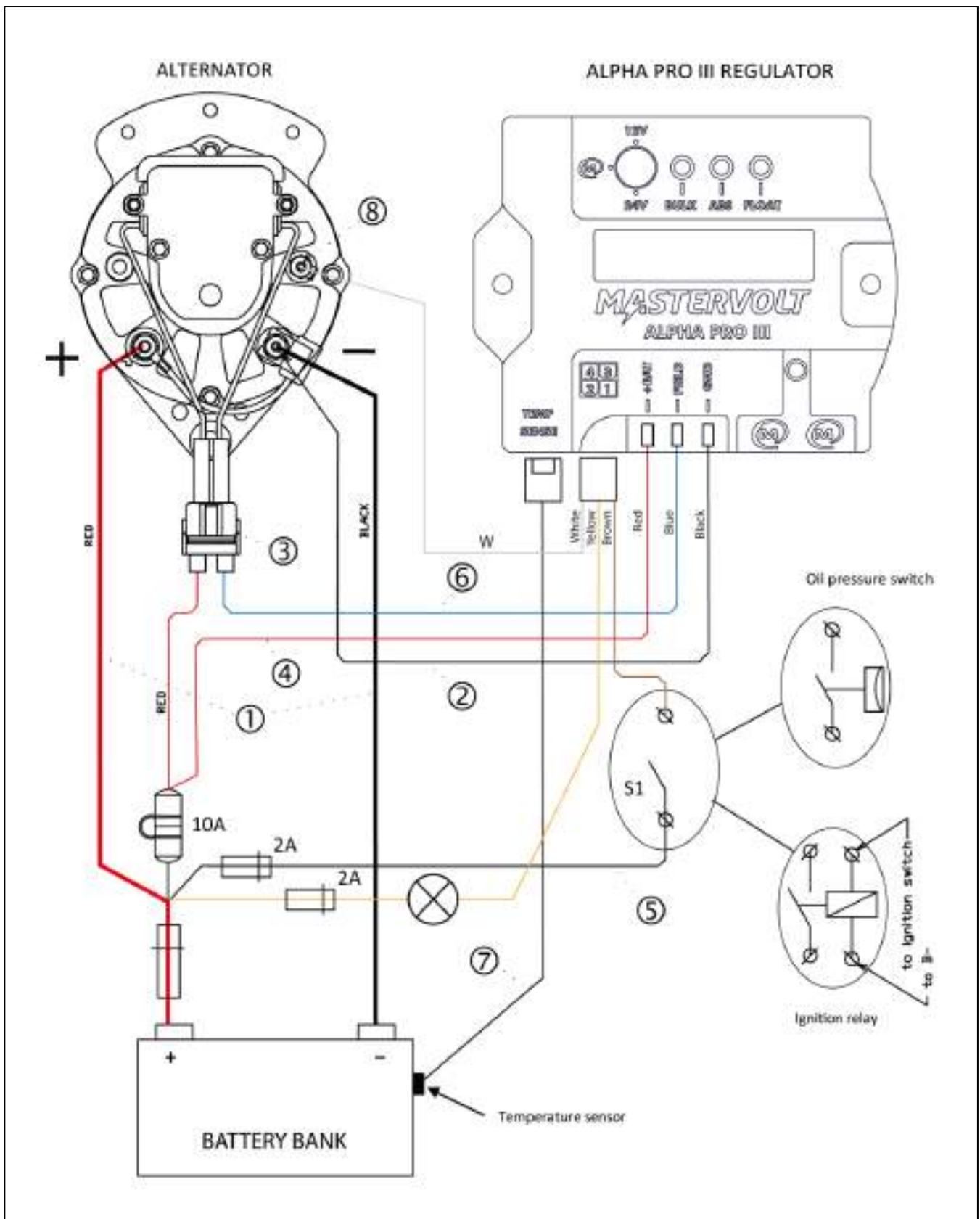


Figure A-6: Installation drawing Alpha alternator model 12/90

## 2.2 ALPHA ALTERNATOR MODELS 12/130, 24/75 AND 24/110

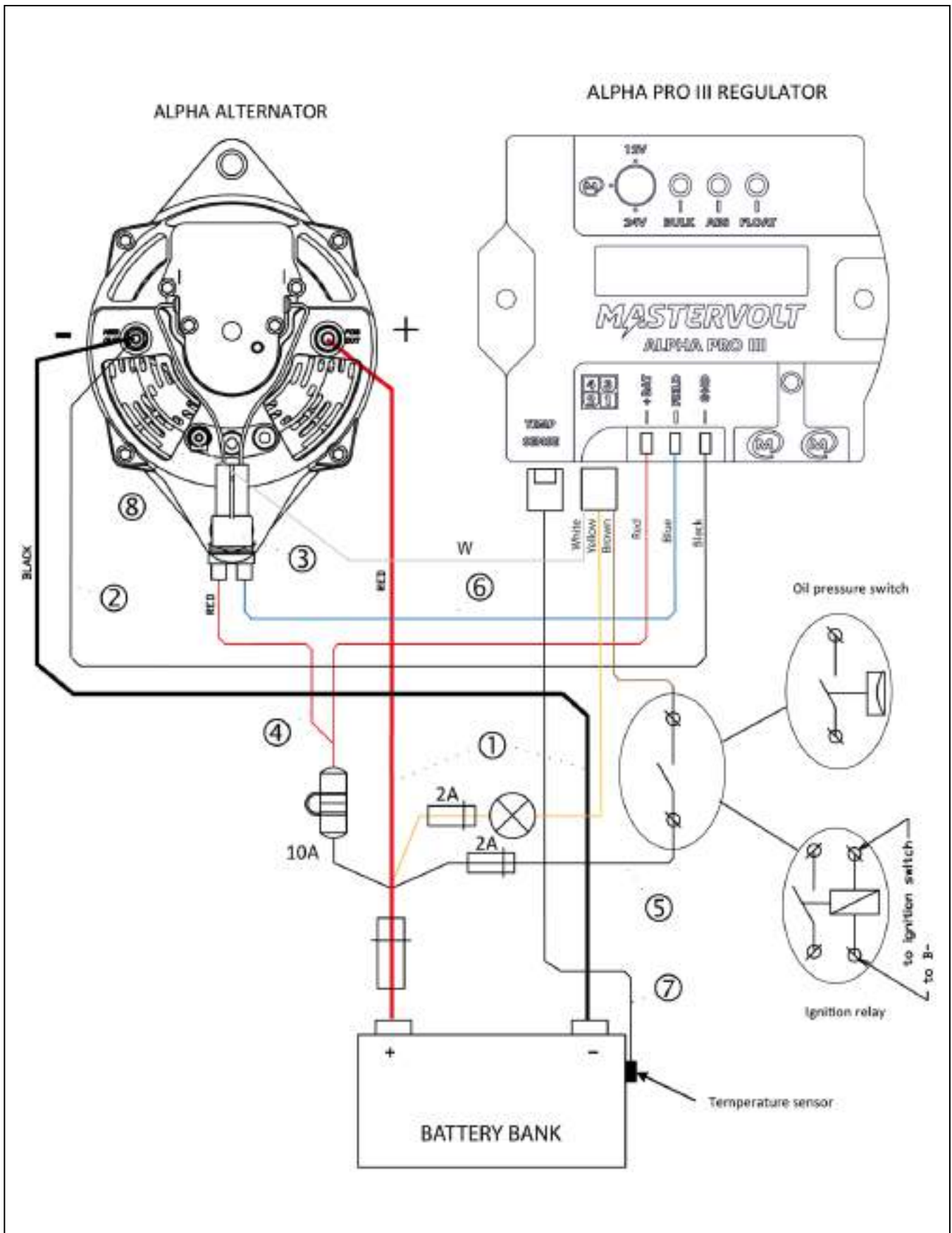


Figure A-7: Installation drawing Alpha alternator models 12/130, 24/75 and 24/110



## 2.3 ALPHA ALTERNATOR MODEL 24/150

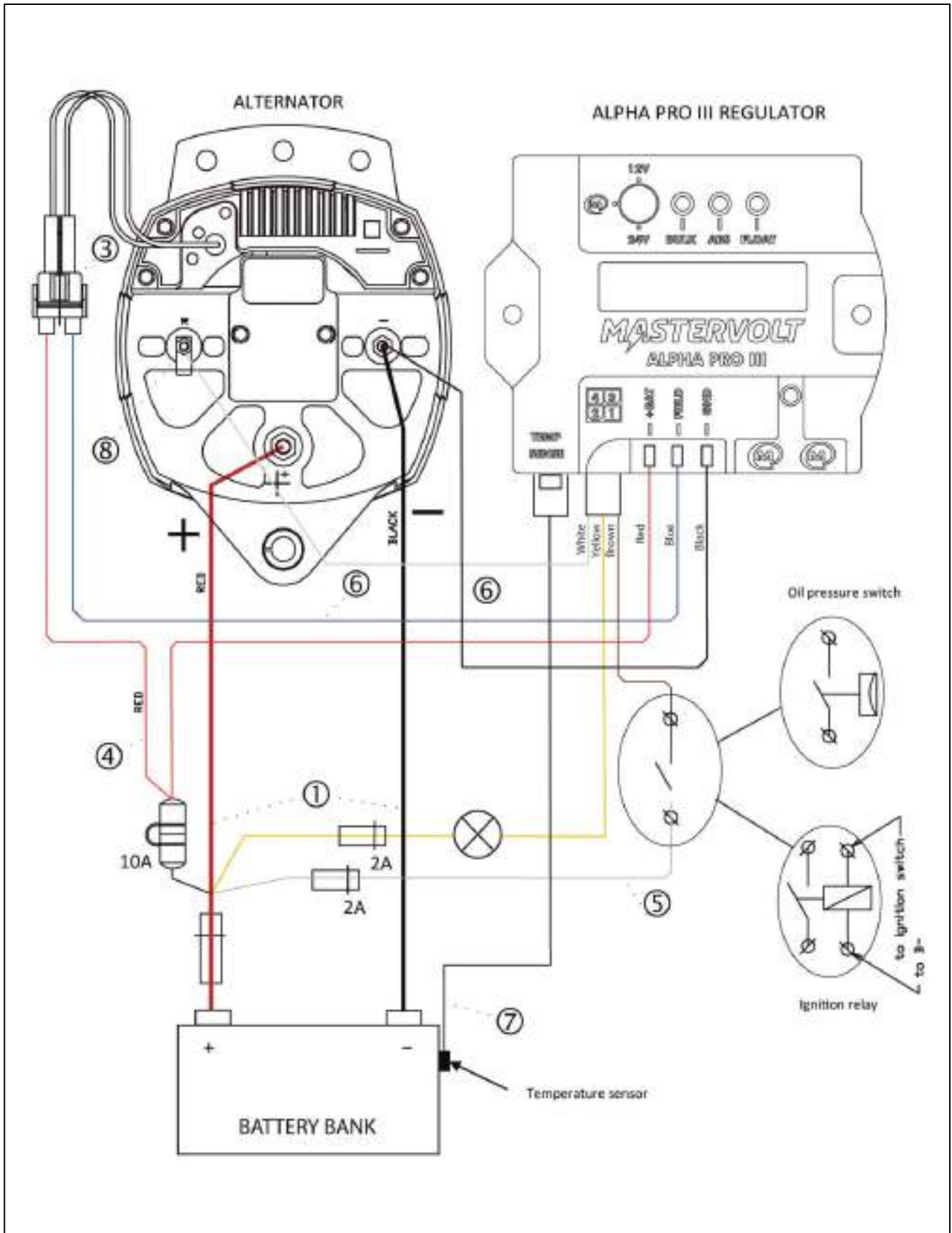


Figure A-8: Installation drawing Alpha alternator model 24/150

## 2.4 STANDARD BOSCH ALTERNATOR

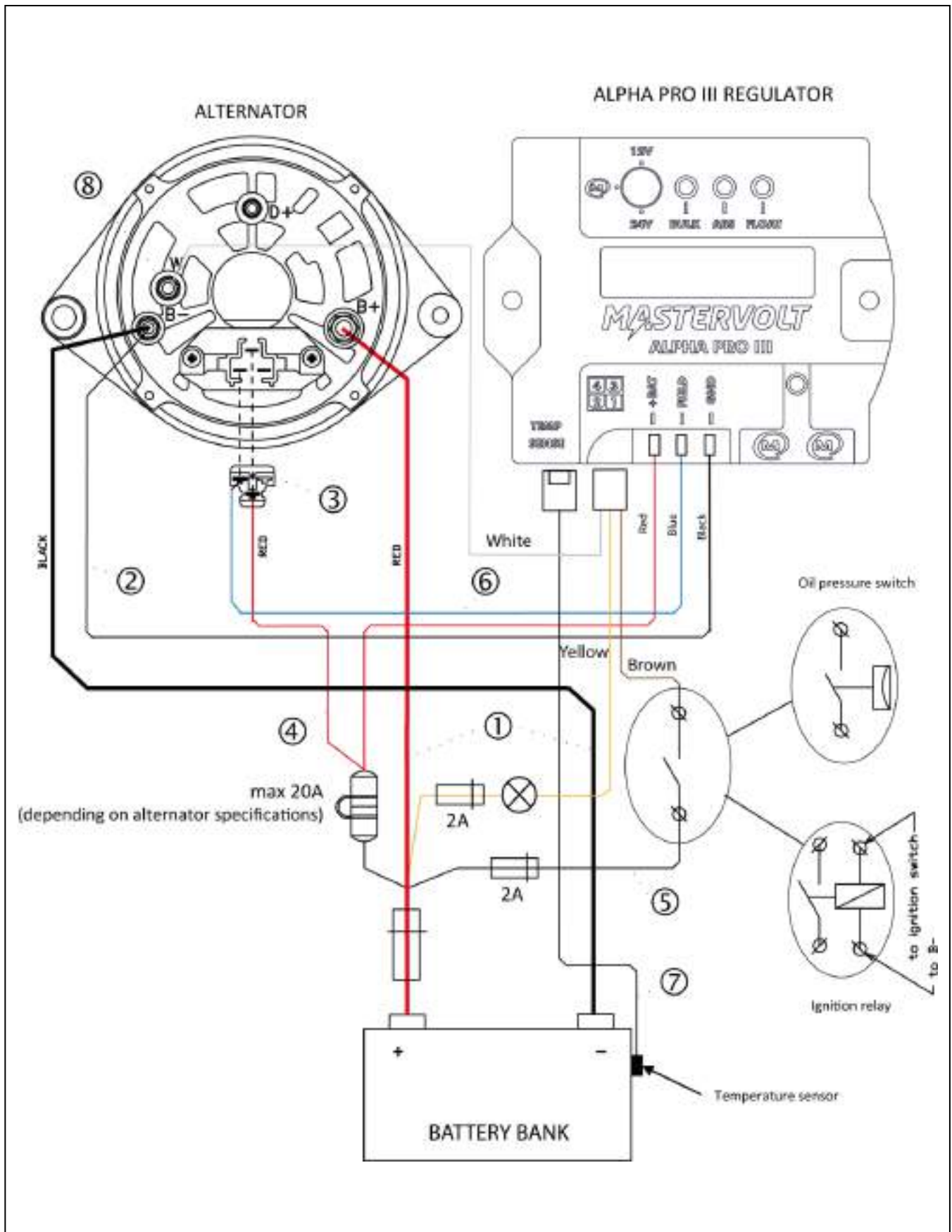


Figure A-9: Installation drawing standard Bosch alternator

## 2.5 INSTRUCTION FOR MODIFICATION OF STANDARD BOSCH ALTERNATORS

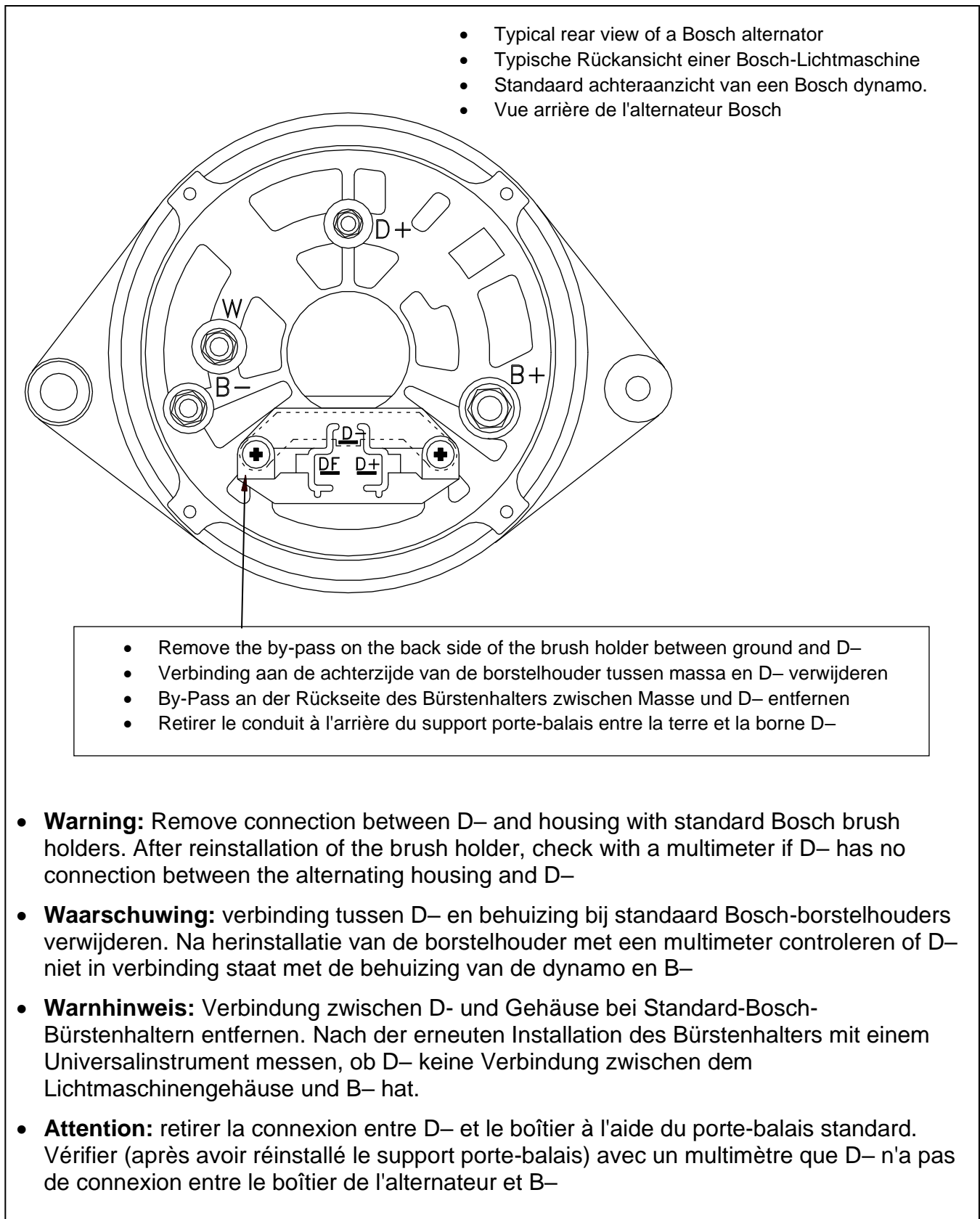


Figure A-10: Standard Bosch alternator (not applicable for Mastervolt alternators)

## 2.6 INSTALLATION EXAMPLES FOR ALPHA ALTERNATOR MODEL 12/90

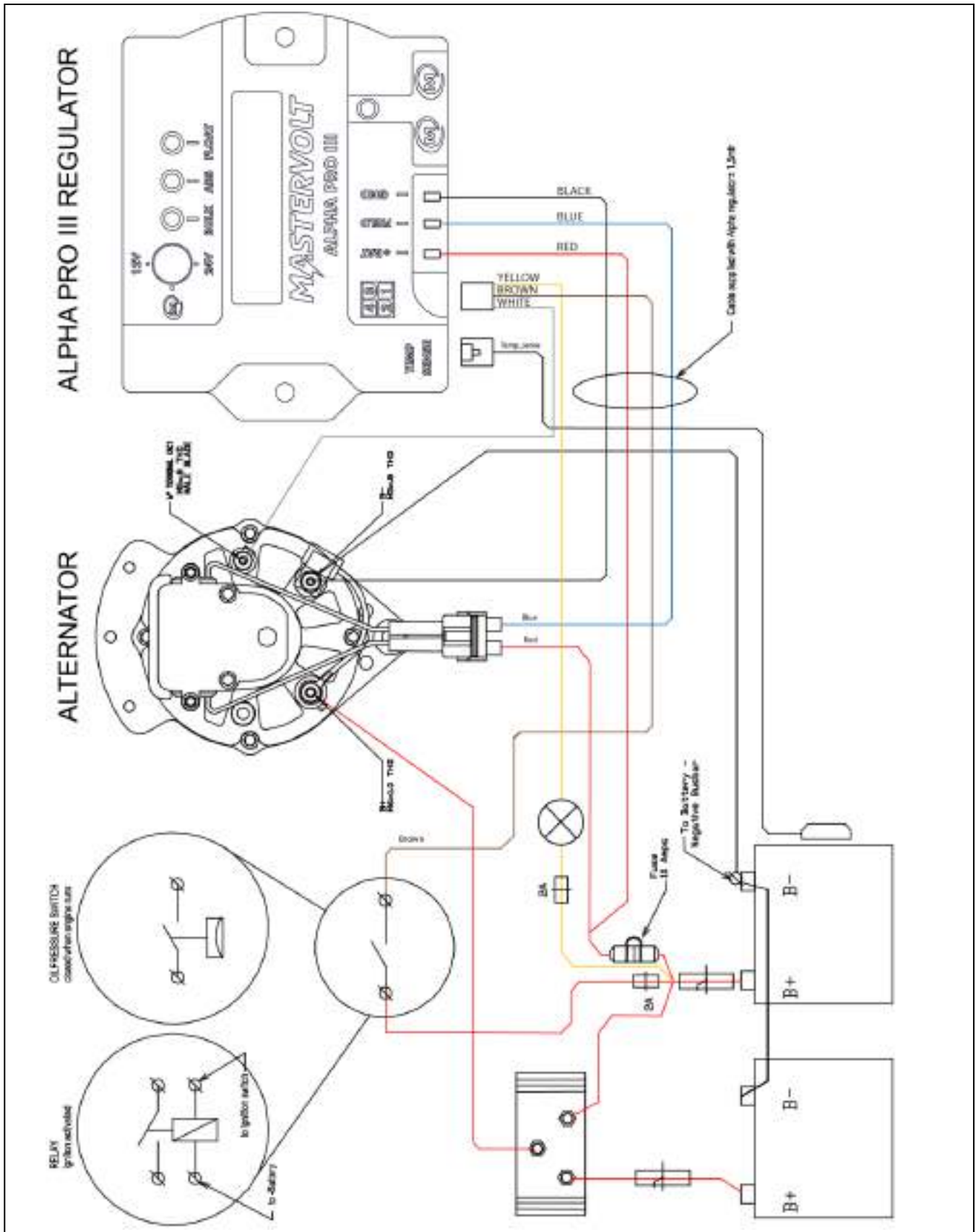


Figure A-11: This drawing shows the installation of the Alpha alternator 12/90 in combination with a battery isolator to charge two battery banks simultaneously

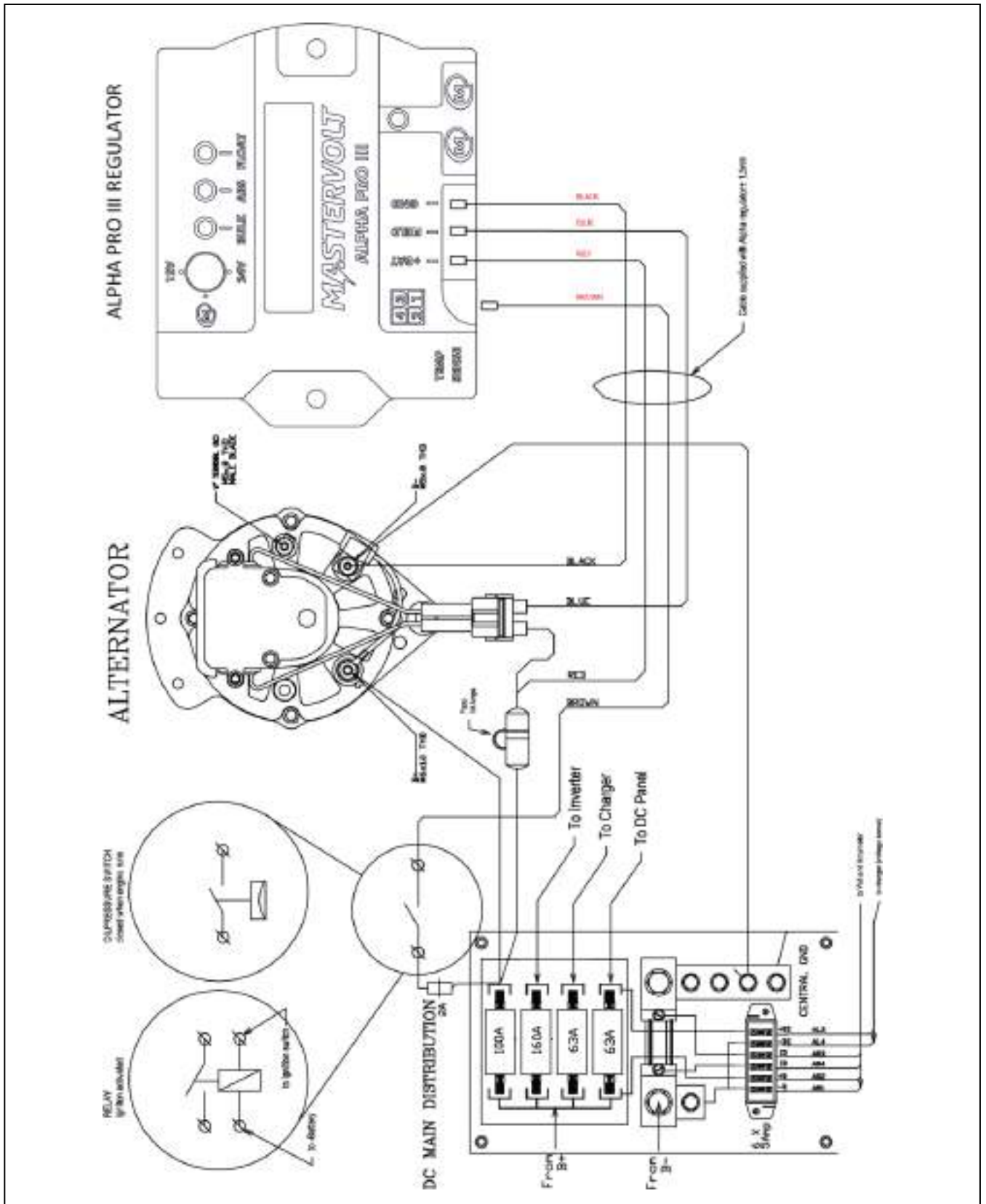


Figure A-12: Here the installation of the Alpha alternator 12/90 in combination with a Mastervolt DC distribution system is shown. The Mastervolt DC distribution systems are easy-to-install installation kits for central connection of the DC-sources (such as the alternator and the battery charger), the batteries and the DC loads (such as the inverter, the anchor winch or the bow thruster). These DC-distribution systems are standard pre-wired for connection of a battery monitor. See [www.mastervolt.com](http://www.mastervolt.com) for details.

## 2.7 INSTALLATION EXAMPLES FOR ALPHA ALTERNATOR MODELS 12/130, 24/75 AND 24/110

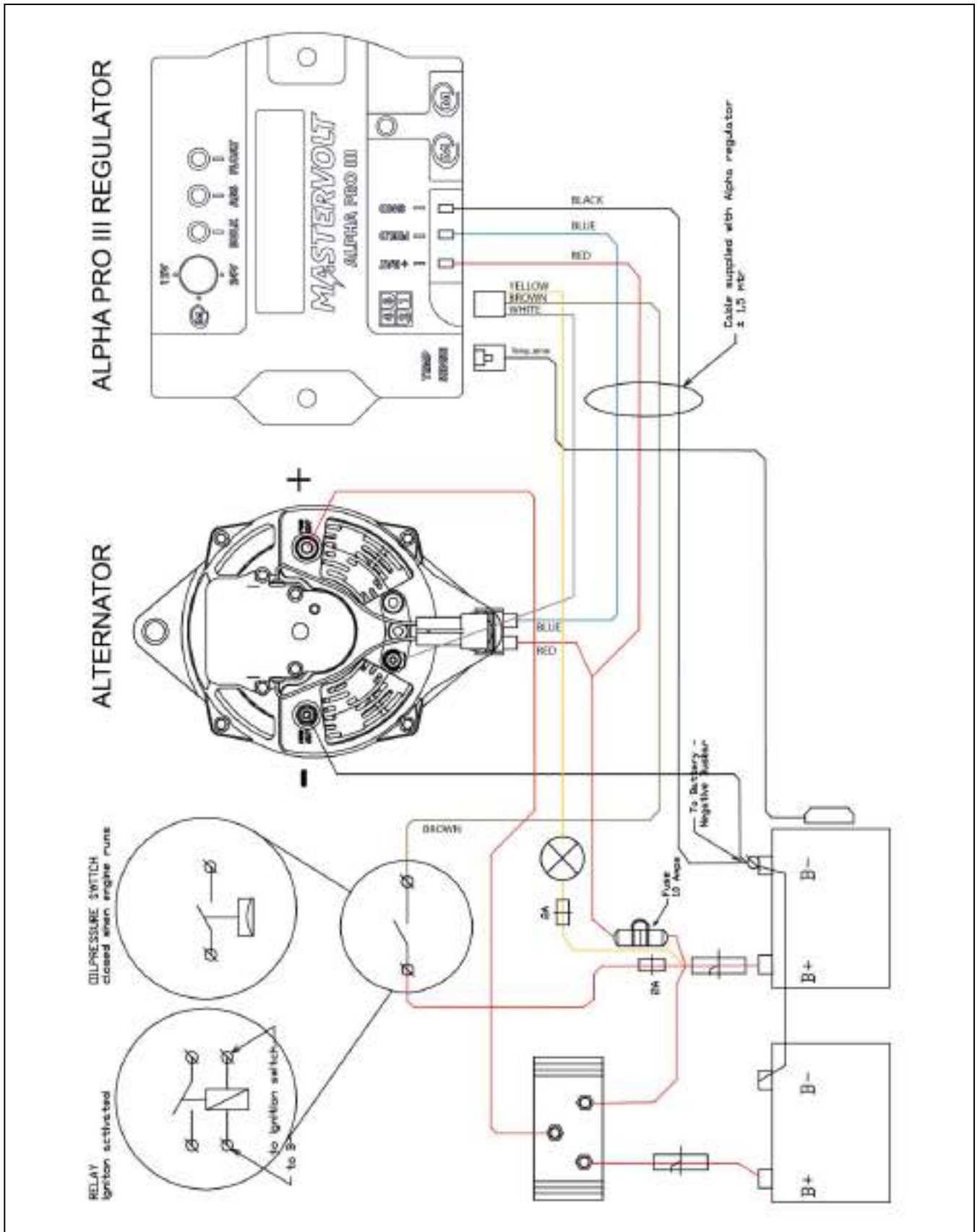
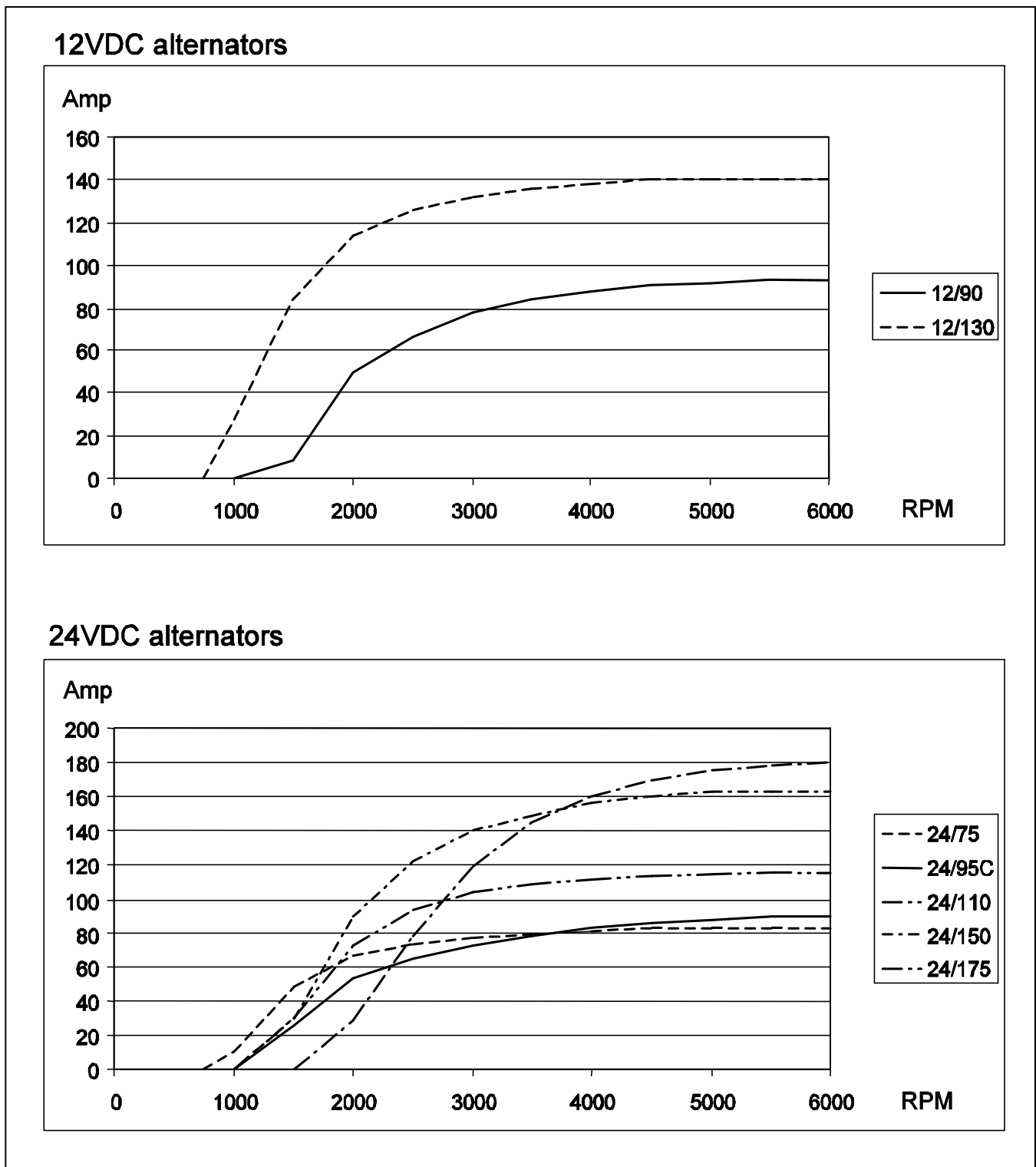


Figure A-13: This drawing shows the installation of the Alpha alternator models 12/130, 24/75 and 24/110 in combination with a battery isolator to charge two battery banks simultaneously.

### 3 CHARACTERISTICS

#### 3.1 CHARGE CURRENT VERSUS RPM



Output power is measured in combination with Alpha Pro III regulator at nominal voltage (25°C)

Figure A-15: Characteristics for Mastervolt alternators: charge current versus RPM



### **Europe, Middle East & Africa**

#### **Customer Service**

T: +31 (0) 20 34 22 100

E: [info@mastervolt.com](mailto:info@mastervolt.com)

#### **Technical Support**

T: +31 (0) 20 34 22 100

E: [ts@mastervolt.com](mailto:ts@mastervolt.com)

#### **Location & Shipping**

Mastervolt

Snijdersbergweg 93

1105 AN Amsterdam

The Netherlands

### **Americas & Caribbean**

#### **Customer Service**

T: +1 800 307 6702, Option 1

E: [orderentry@marinco.com](mailto:orderentry@marinco.com)

#### **Technical Support**

T: +1 800 307 6702, Option 2

E: [tsusa@mastervolt.com](mailto:tsusa@mastervolt.com)

#### **Location & Shipping**

Power Products, LLC

N85 W12545 Westbrook Crossing

Menomonee Falls, Wisconsin 53051

United States

### **Asia Pacific**

#### **Customer Service**

T: +64 9 415 7261 Option 1

E: [enquiries@bepmarine.com](mailto:enquiries@bepmarine.com)

#### **Technical Support**

T: +64 9 415 7261 Option 3

E: [technical@bepmarine.com](mailto:technical@bepmarine.com)

#### **Location & Shipping**

BEP Marine

42 Apollo Drive

Rosedale, Auckland 0632

New Zealand