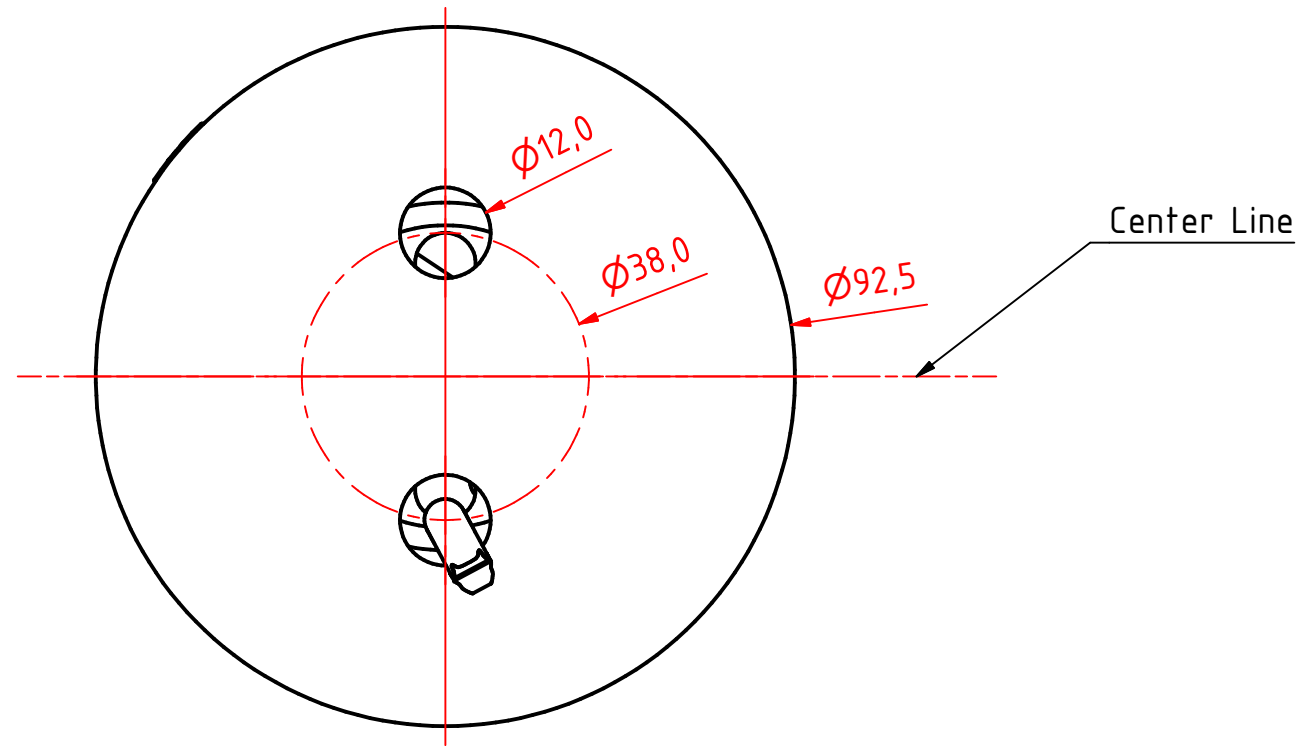
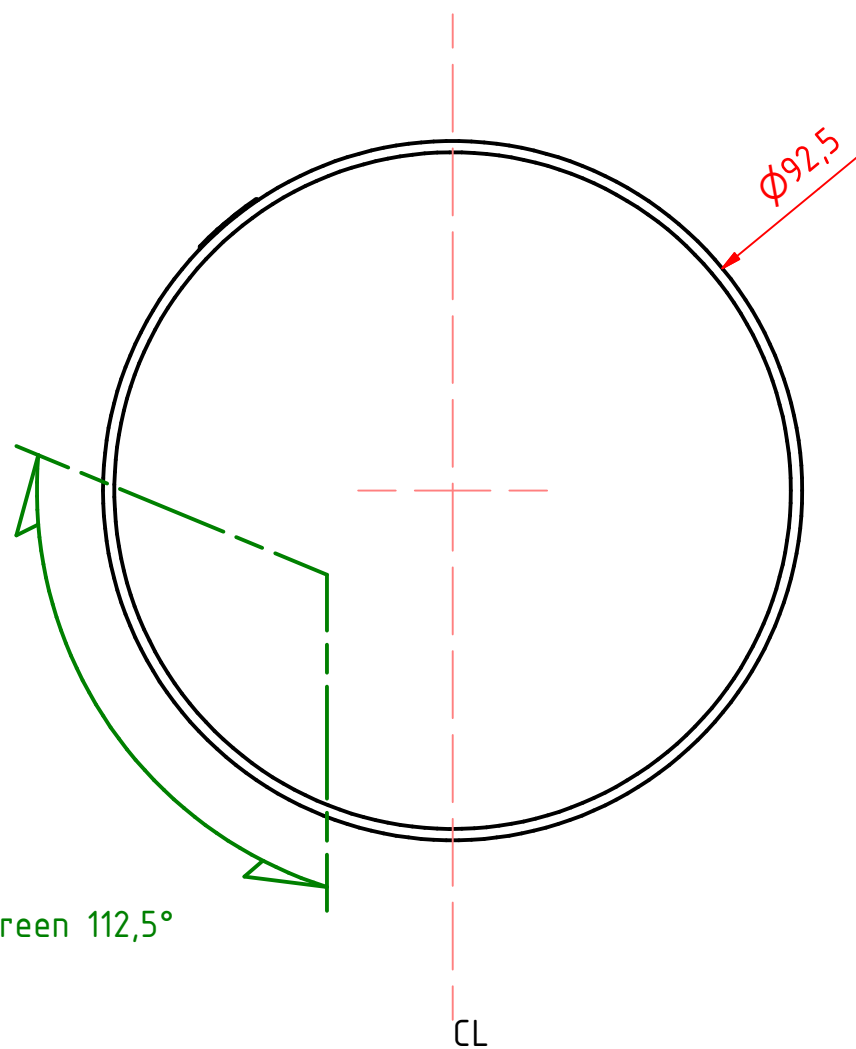


Note:
The PE Plastic base is intended for fitting on site and can be either drilled for mounting screws from above. 6mm screws with nuts and washers are recommended for secure mounting.



Rev1 09/05/2019: Delete the sheet HA and add a new Sheet JA PRO Series.

301-008 2nm starboard sidelight, HM, on a 400-038 PE std base

DRAWING NO.: 301-008GA	REV. NO.: 1	SIZE: A3	DRAWN BY: Sergio
----------------------------------	-----------------------	--------------------	----------------------------

SCALE: 1:1	TOLERANCES: DS/ISO 2768-f	REVIEWED BY: PHC	CREATION DATE: 24-04-2018
----------------------	-------------------------------------	----------------------------	-------------------------------------

MATERIAL DESCRIPTION:
EN 6082, Acrylic, PE (20µ) Silver anodized according to EN ISO 7599 (50µ) Black anodized according to MIL-A 8625F

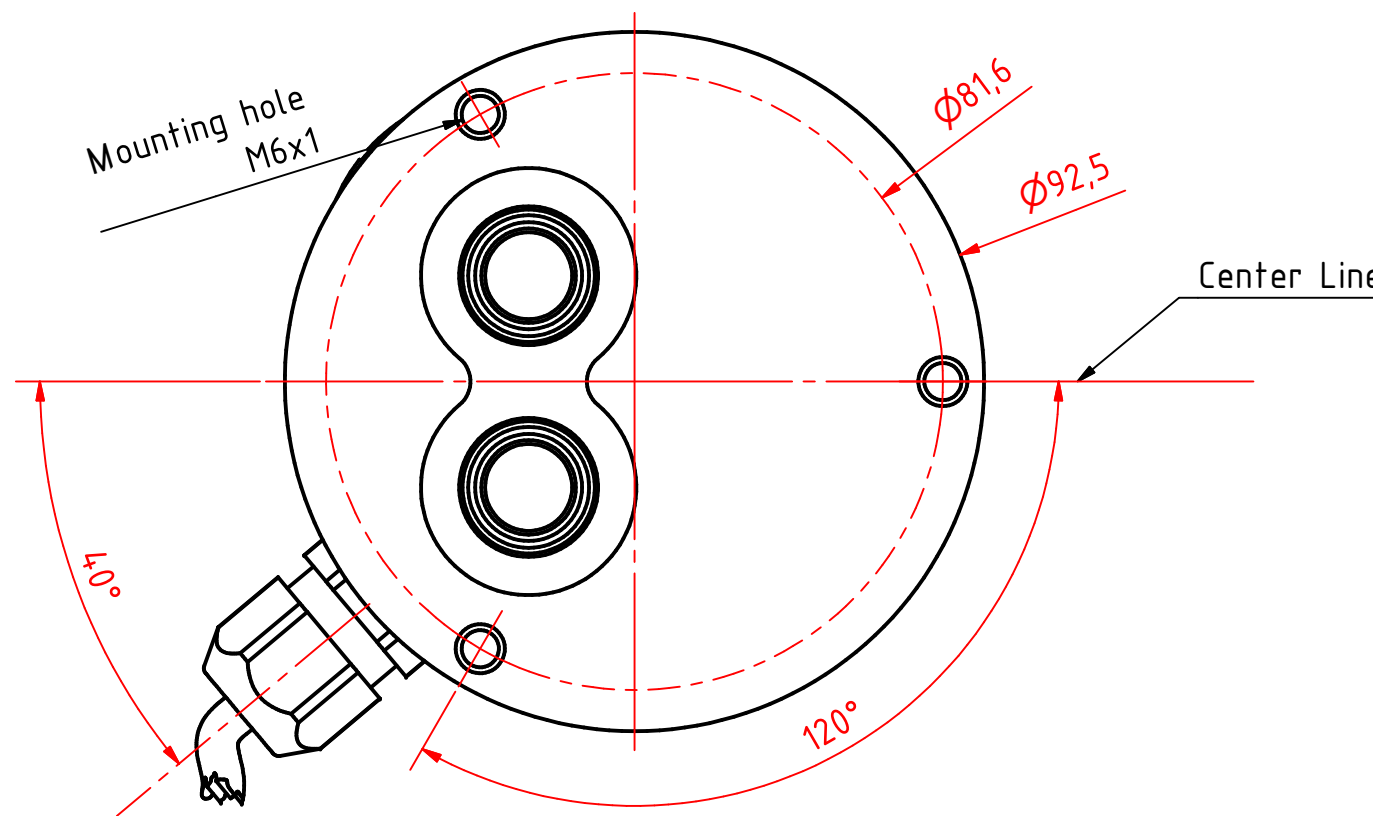
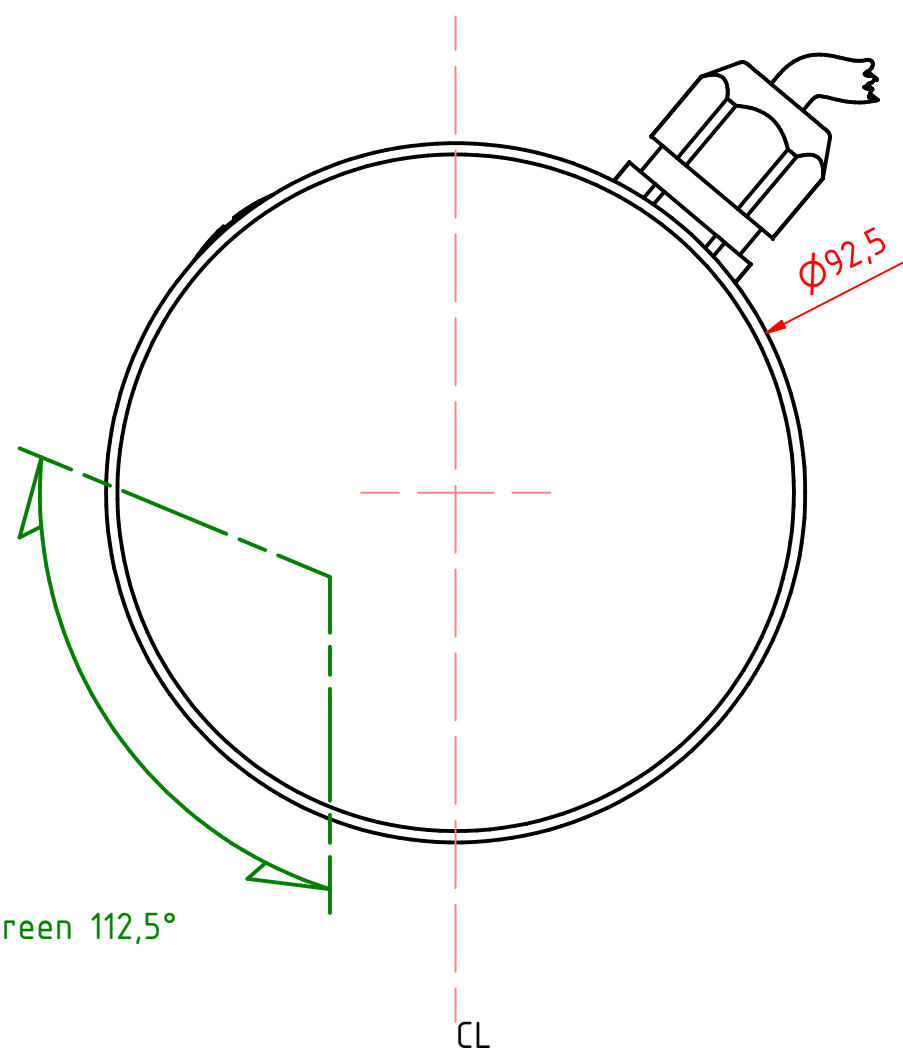
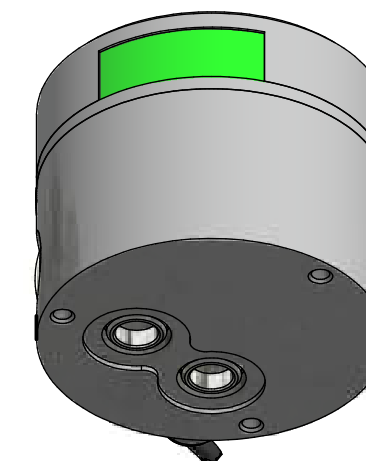
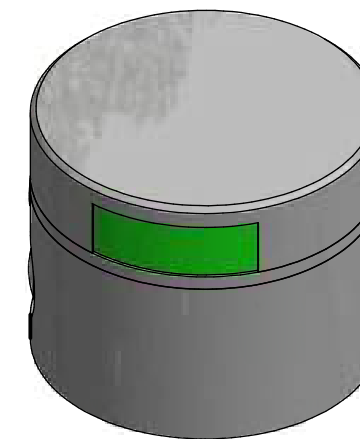
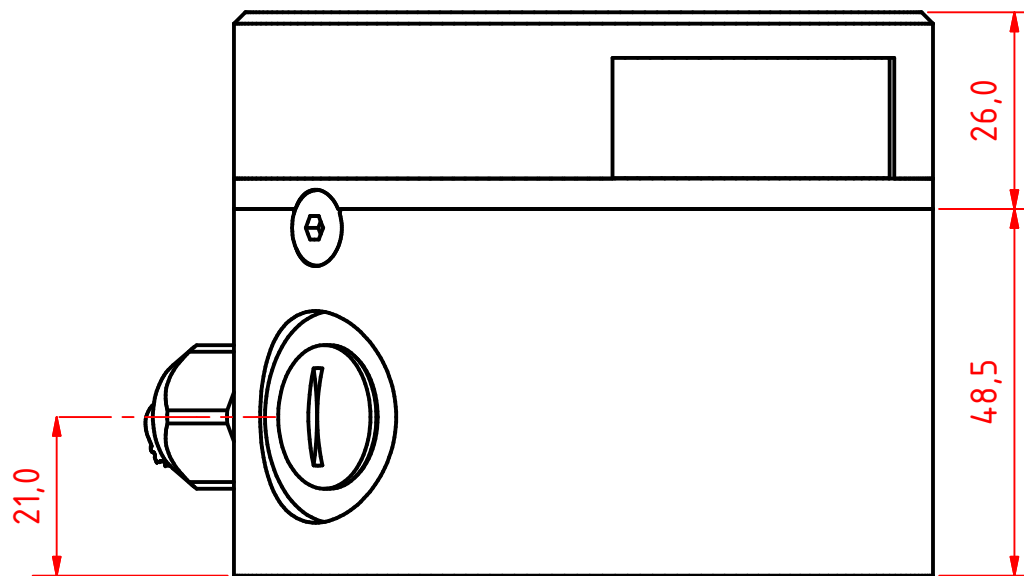
This Drawing, and the information within, is the property of Lopolight ApS and may not be used in any form without express permission there from. Lopolight reserves the right to change this drawing and assumes no liability for the information communicated herein. Use of dimensions and other information in this drawing is at the users own risk.



Lopolight ApS
Bakkegaardsvej 513
DK-3050, Humlebaek
Denmark
www.lopolight.com

Tel:(+45) 32 48 50 30 Fax:(+45) 32 48 50 32
info@lopolight.com





Rev1 09/05/2019: Delete the sheet HA and add a new Sheet JA PRO Series.

301-008 2nm starboard sidelight, HM, on a 400-034 Promount base, Cable Side

DRAWING NO.: 301-008AA	REV. NO.: 1	SIZE: A3	DRAWN BY: Sergio
SCALE: 1:1	TOLERANCES: DS/ISO 2768-f	REVIEWED BY: PHC	CREATION DATE: 24-04-2018

MATERIAL DESCRIPTION:
EN 6082, Acrylic (20µ) Silver anodized according to EN ISO 7599
(50µ) Black anodized according to MIL-A 8625F

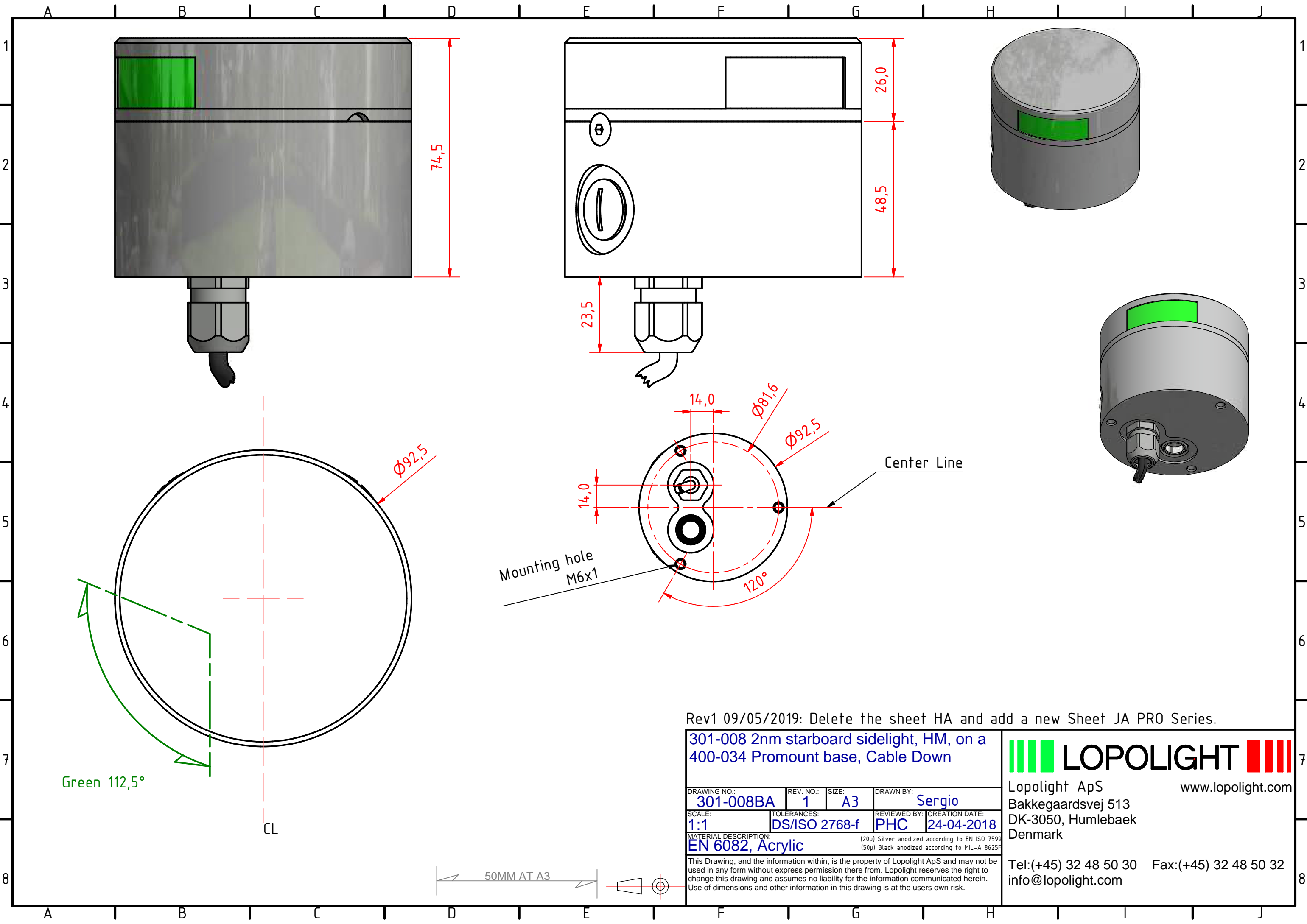
This Drawing, and the information within, is the property of Lopolight ApS and may not be used in any form without express permission there from. Lopolight reserves the right to change this drawing and assumes no liability for the information communicated herein. Use of dimensions and other information in this drawing is at the users own risk.



Lopolight ApS
Bakkegaardsvej 513
DK-3050, Humlebaek
Denmark
www.lopolight.com

Tel:(+45) 32 48 50 30 Fax:(+45) 32 48 50 32
info@lopolight.com





Rev1 09/05/2019: Delete the sheet HA and add a new Sheet JA PRO Series.

301-008 2nm starboard sidelight, HM, on a 400-034 Promount base, Cable Down

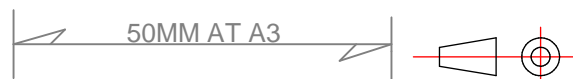
DRAWING NO.: 301-008BA	REV. NO.: 1	SIZE: A3	DRAWN BY: Sergio
SCALE: 1:1	TOLERANCES: DS/ISO 2768-f	REVIEWED BY: PHC	CREATION DATE: 24-04-2018
MATERIAL DESCRIPTION: EN 6082, Acrylic			

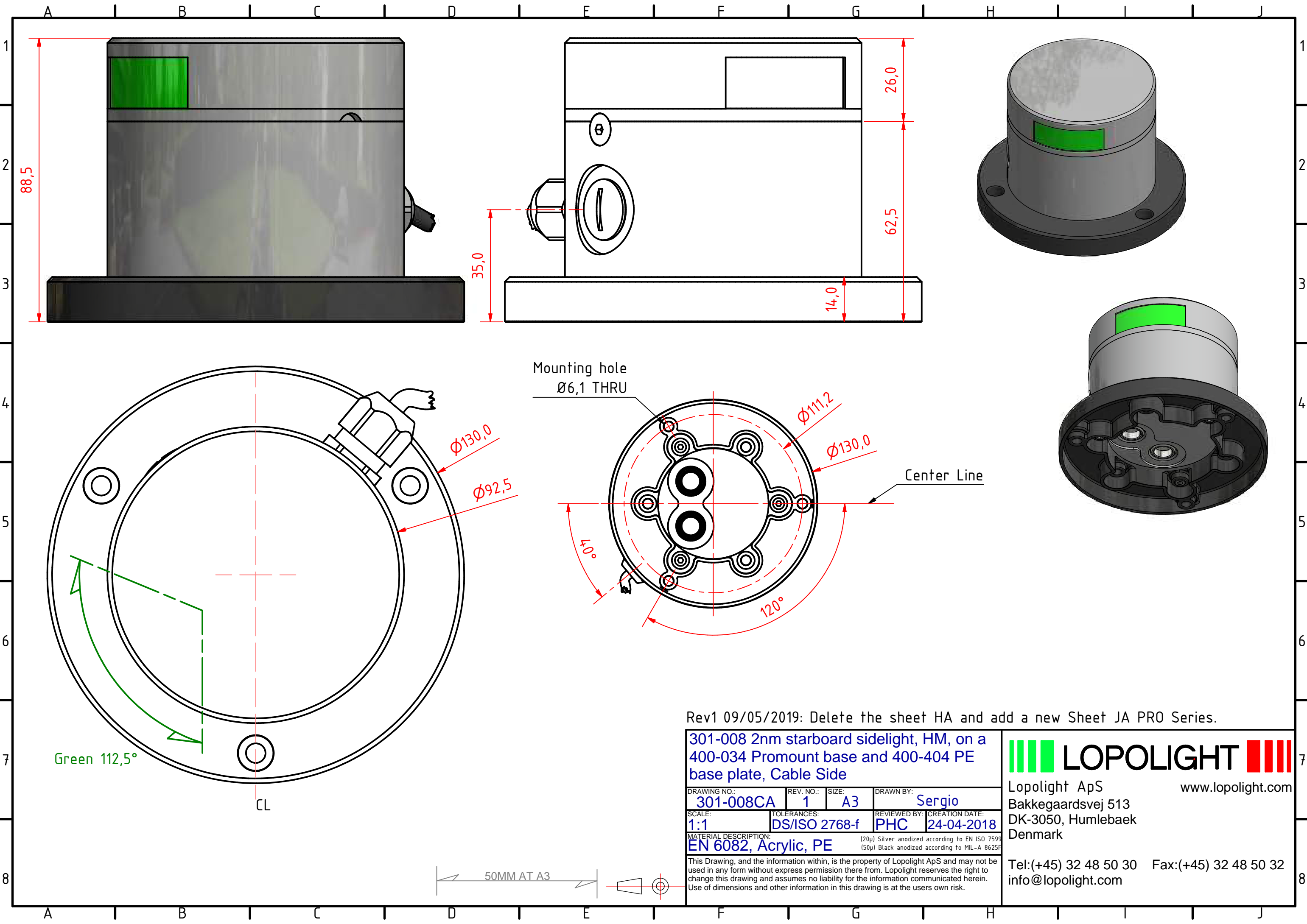
(20µ) Silver anodized according to EN ISO 7599
(50µ) Black anodized according to MIL-A 8625F
This Drawing, and the information within, is the property of Lopolight ApS and may not be used in any form without express permission there from. Lopolight reserves the right to change this drawing and assumes no liability for the information communicated herein. Use of dimensions and other information in this drawing is at the users own risk.



LOPOLIGHT
Lopolight ApS
Bakkegaardsvej 513
DK-3050, Humlebaek
Denmark
www.lopolight.com

Tel:(+45) 32 48 50 30 Fax:(+45) 32 48 50 32
info@lopolight.com





Rev1 09/05/2019: Delete the sheet HA and add a new Sheet JA PRO Series.

301-008 2nm starboard sidelight, HM, on a 400-034 Promount base and 400-404 PE base plate, Cable Side

DRAWING NO.: 301-008CA	REV. NO.: 1	SIZE: A3	DRAWN BY: Sergio
SCALE: 1:1	TOLERANCES: DS/ISO 2768-f	REVIEWED BY: PHC	CREATION DATE: 24-04-2018

MATERIAL DESCRIPTION:
EN 6082, Acrylic, PE (20µ) Silver anodized according to EN ISO 7599 (50µ) Black anodized according to MIL-A 8625F

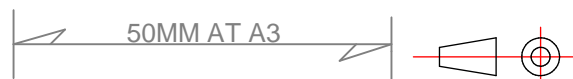
This Drawing, and the information within, is the property of Lopolight ApS and may not be used in any form without express permission there from. Lopolight reserves the right to change this drawing and assumes no liability for the information communicated herein. Use of dimensions and other information in this drawing is at the users own risk.

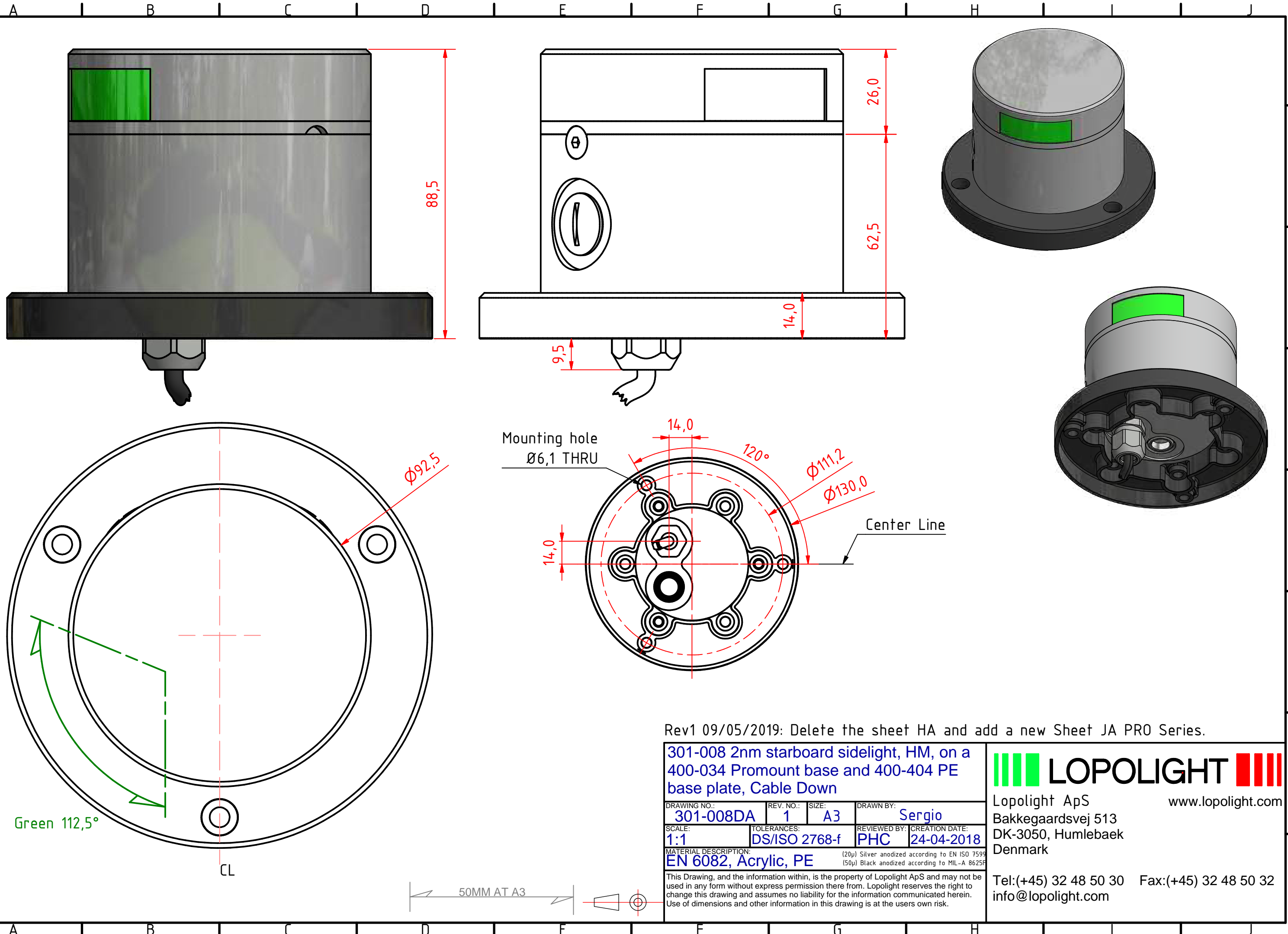


Lopolight ApS
Bakkegaardsvej 513
DK-3050, Humlebaek
Denmark

Tel:(+45) 32 48 50 30 Fax:(+45) 32 48 50 32
info@lopolight.com

www.lopolight.com





Rev1 09/05/2019: Delete the sheet HA and add a new Sheet JA PRO Series.

301-008 2nm starboard sidelight, HM, on a 400-034 Promount base and 400-404 PE base plate, Cable Down

DRAWING NO.: 301-008DA	REV. NO.: 1	SIZE: A3	DRAWN BY: Sergio
SCALE: 1:1	TOLERANCES: DS/ISO 2768-f	REVIEWED BY: PHC	CREATION DATE: 24-04-2018

MATERIAL DESCRIPTION:
EN 6082, Acrylic, PE (20µ) Silver anodized according to EN ISO 7599 (50µ) Black anodized according to MIL-A 8625F

This Drawing, and the information within, is the property of Lopolight ApS and may not be used in any form without express permission there from. Lopolight reserves the right to change this drawing and assumes no liability for the information communicated herein. Use of dimensions and other information in this drawing is at the users own risk.

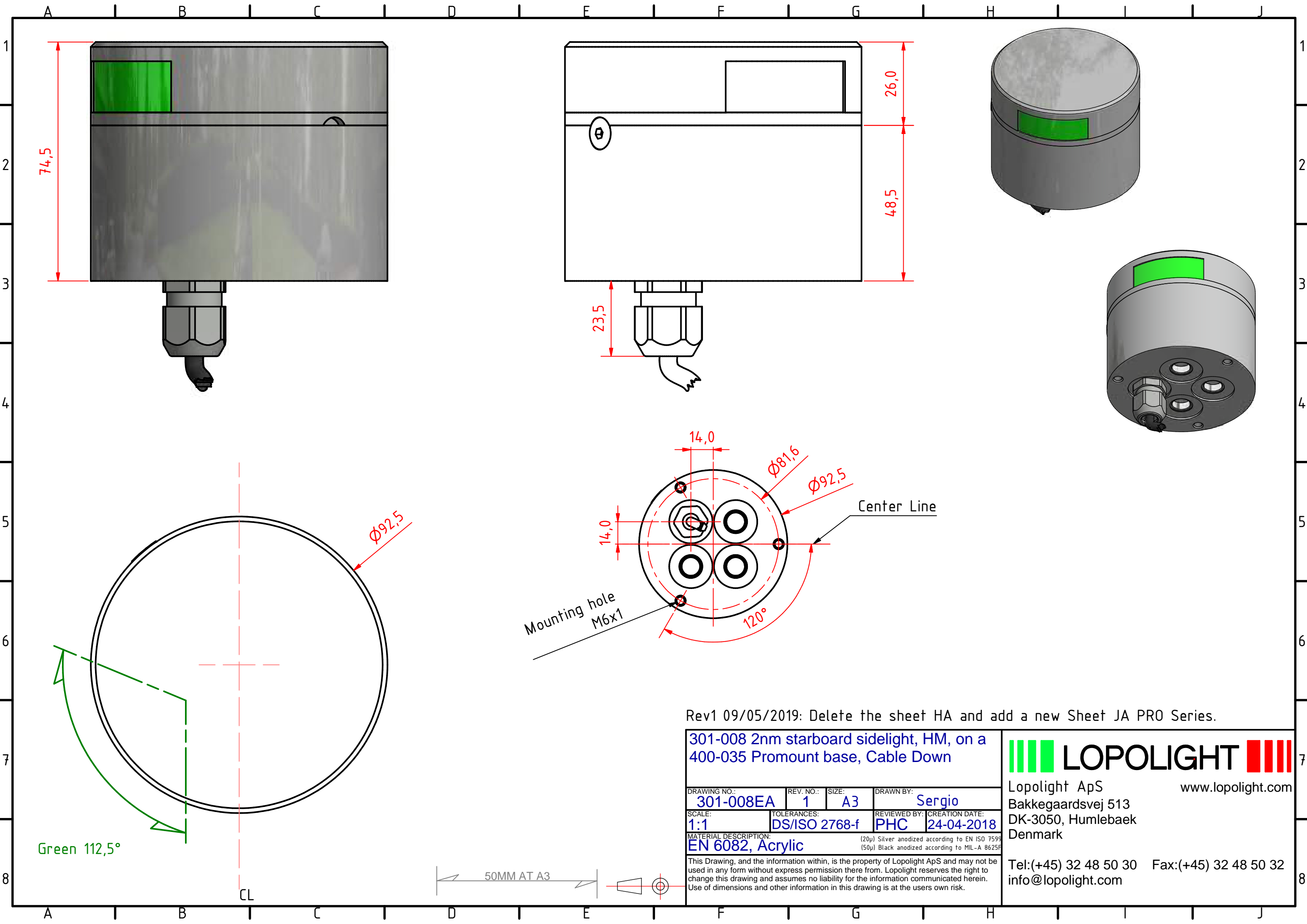


Lopolight ApS
Bakkegaardsvej 513
DK-3050, Humlebaek
Denmark

www.lopolight.com

Tel:(+45) 32 48 50 30 Fax:(+45) 32 48 50 32
info@lopolight.com





Rev1 09/05/2019: Delete the sheet HA and add a new Sheet JA PRO Series.

301-008 2nm starboard sidelight, HM, on a 400-035 Promount base, Cable Down

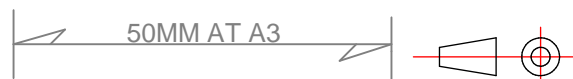
DRAWING NO.: 301-008EA	REV. NO.: 1	SIZE: A3	DRAWN BY: Sergio
SCALE: 1:1	TOLERANCES: DS/ISO 2768-f	REVIEWED BY: PHC	CREATION DATE: 24-04-2018
MATERIAL DESCRIPTION: EN 6082, Acrylic			

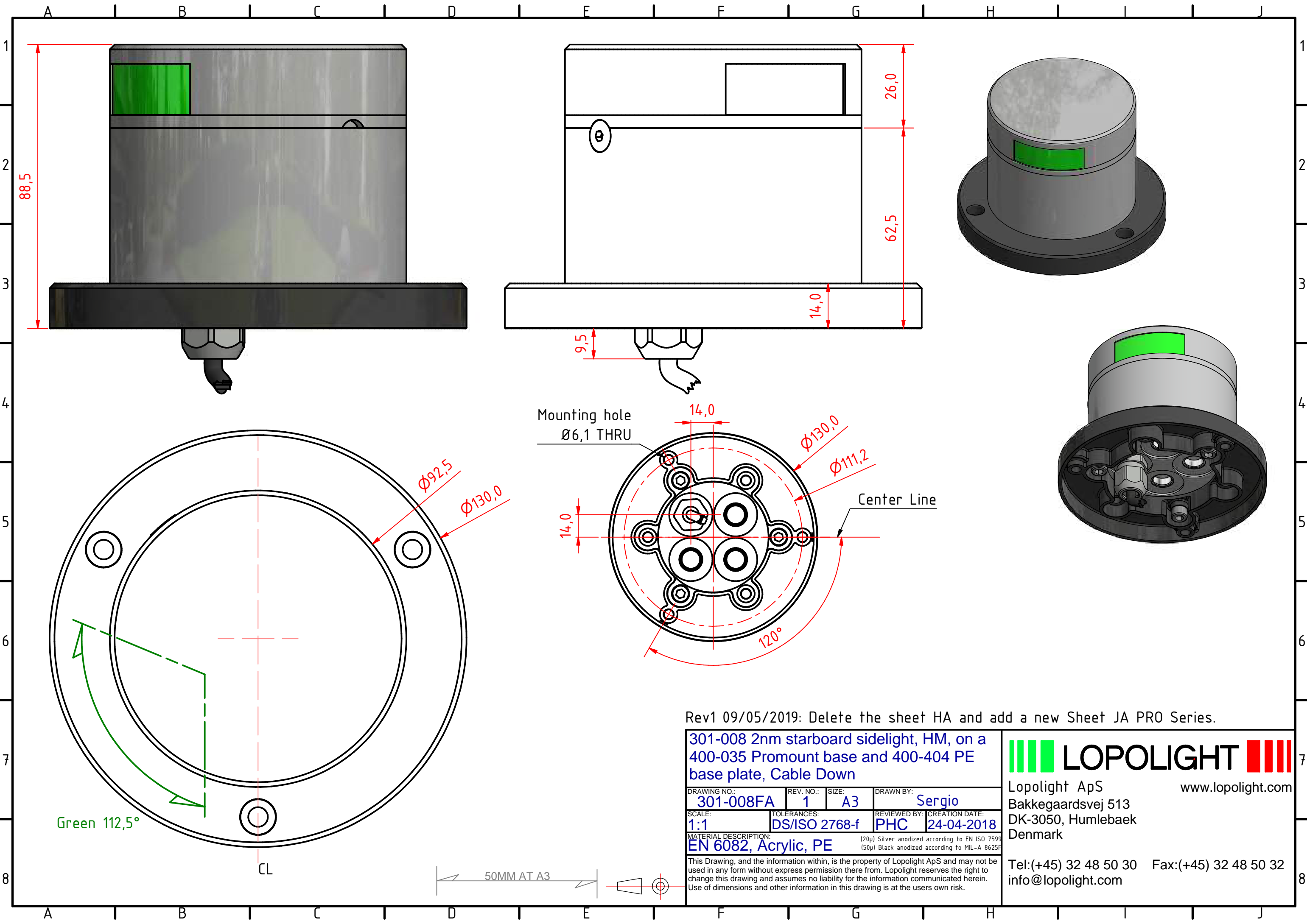
(20µ) Silver anodized according to EN ISO 7599
(50µ) Black anodized according to MIL-A 8625F
This Drawing, and the information within, is the property of Lopolight ApS and may not be used in any form without express permission there from. Lopolight reserves the right to change this drawing and assumes no liability for the information communicated herein. Use of dimensions and other information in this drawing is at the users own risk.



Lopolight ApS
Bakkegaardsvej 513
DK-3050, Humlebaek
Denmark

Tel:(+45) 32 48 50 30 Fax:(+45) 32 48 50 32
info@lopolight.com





Rev1 09/05/2019: Delete the sheet HA and add a new Sheet JA PRO Series.

301-008 2nm starboard sidelight, HM, on a 400-035 Promount base and 400-404 PE base plate, Cable Down

DRAWING NO.: 301-008FA	REV. NO.: 1	SIZE: A3	DRAWN BY: Sergio
SCALE: 1:1	TOLERANCES: DS/ISO 2768-f	REVIEWED BY: PHC	CREATION DATE: 24-04-2018

MATERIAL DESCRIPTION:
EN 6082, Acrylic, PE (20µ) Silver anodized according to EN ISO 7599 (50µ) Black anodized according to MIL-A 8625F

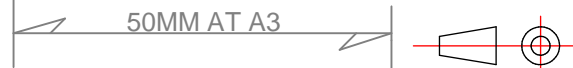
This Drawing, and the information within, is the property of Lopolight ApS and may not be used in any form without express permission there from. Lopolight reserves the right to change this drawing and assumes no liability for the information communicated herein. Use of dimensions and other information in this drawing is at the users own risk.



Lopolight ApS
Bakkegaardsvej 513
DK-3050, Humlebaek
Denmark

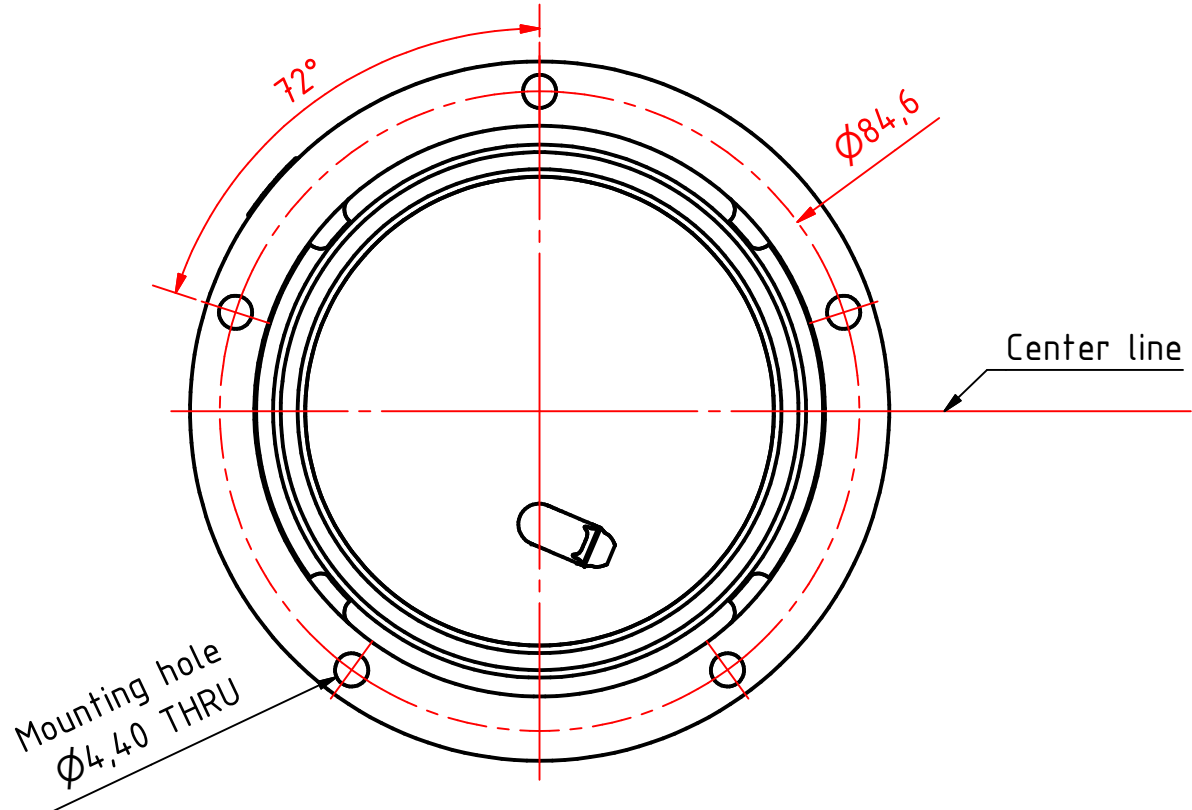
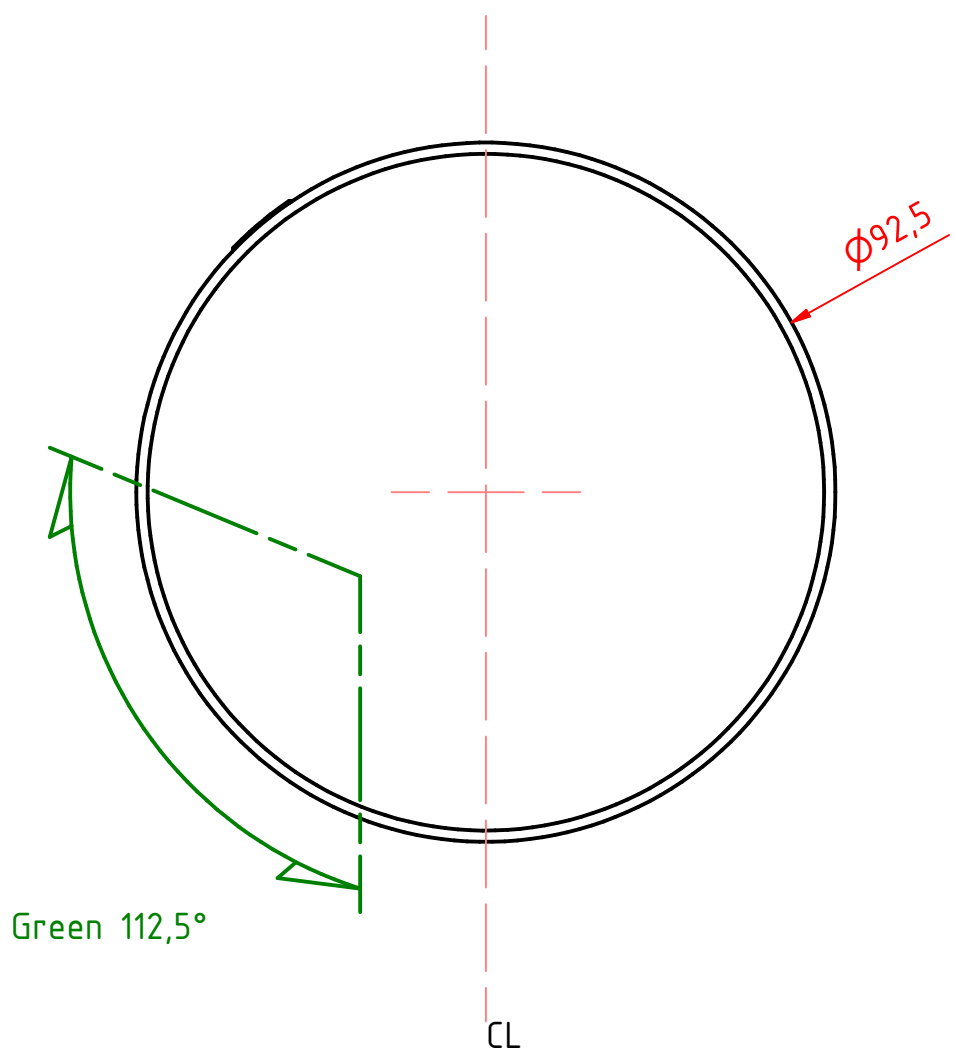
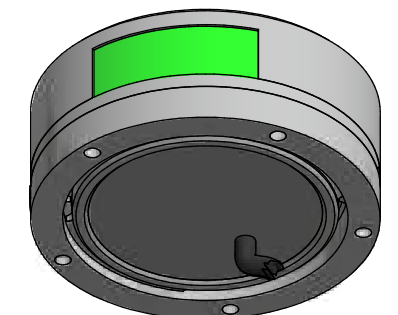
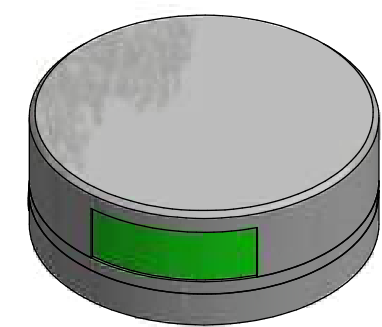
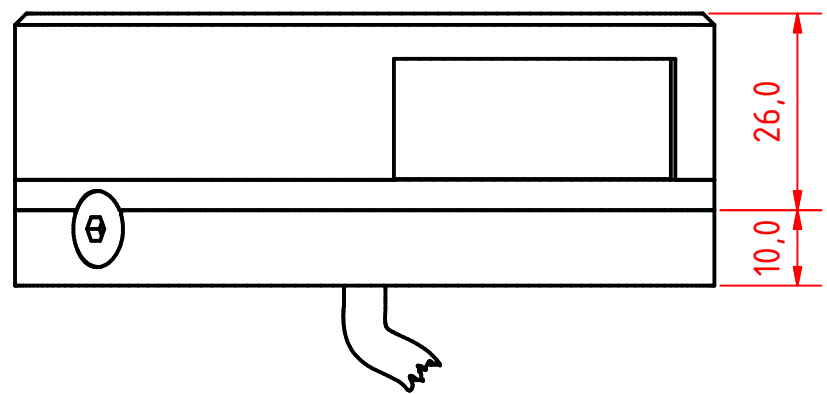
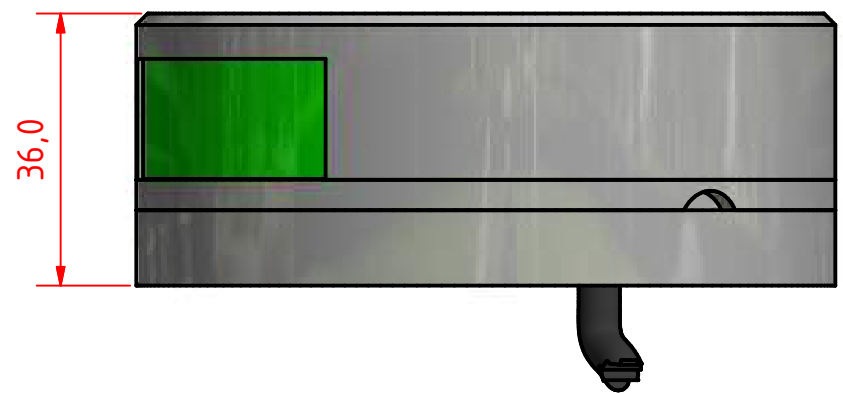
www.lopolight.com

Tel:(+45) 32 48 50 30 Fax:(+45) 32 48 50 32
info@lopolight.com



A B C D E F G H I J

1 2 3 4 5 6 7 8



Rev1 09/05/2019: Delete the sheet HA and add a new Sheet JA PRO Series.

301-008 2nm starboard sidelight, HM, on a 400-036 Ultra Low profile base

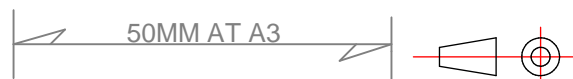
DRAWING NO.: 301-008IA	REV. NO.: 1	SIZE: A3	DRAWN BY: Sergio
SCALE: 1:1	TOLERANCES: DS/ISO 2768-f	REVIEWED BY: PHC	CREATION DATE: 24-04-2018
MATERIAL DESCRIPTION: EN 6082, Acrylic			

(20µ) Silver anodized according to EN ISO 7599
(50µ) Black anodized according to MIL-A 8625F
This Drawing, and the information within, is the property of Lopolight ApS and may not be used in any form without express permission there from. Lopolight reserves the right to change this drawing and assumes no liability for the information communicated herein. Use of dimensions and other information in this drawing is at the users own risk.



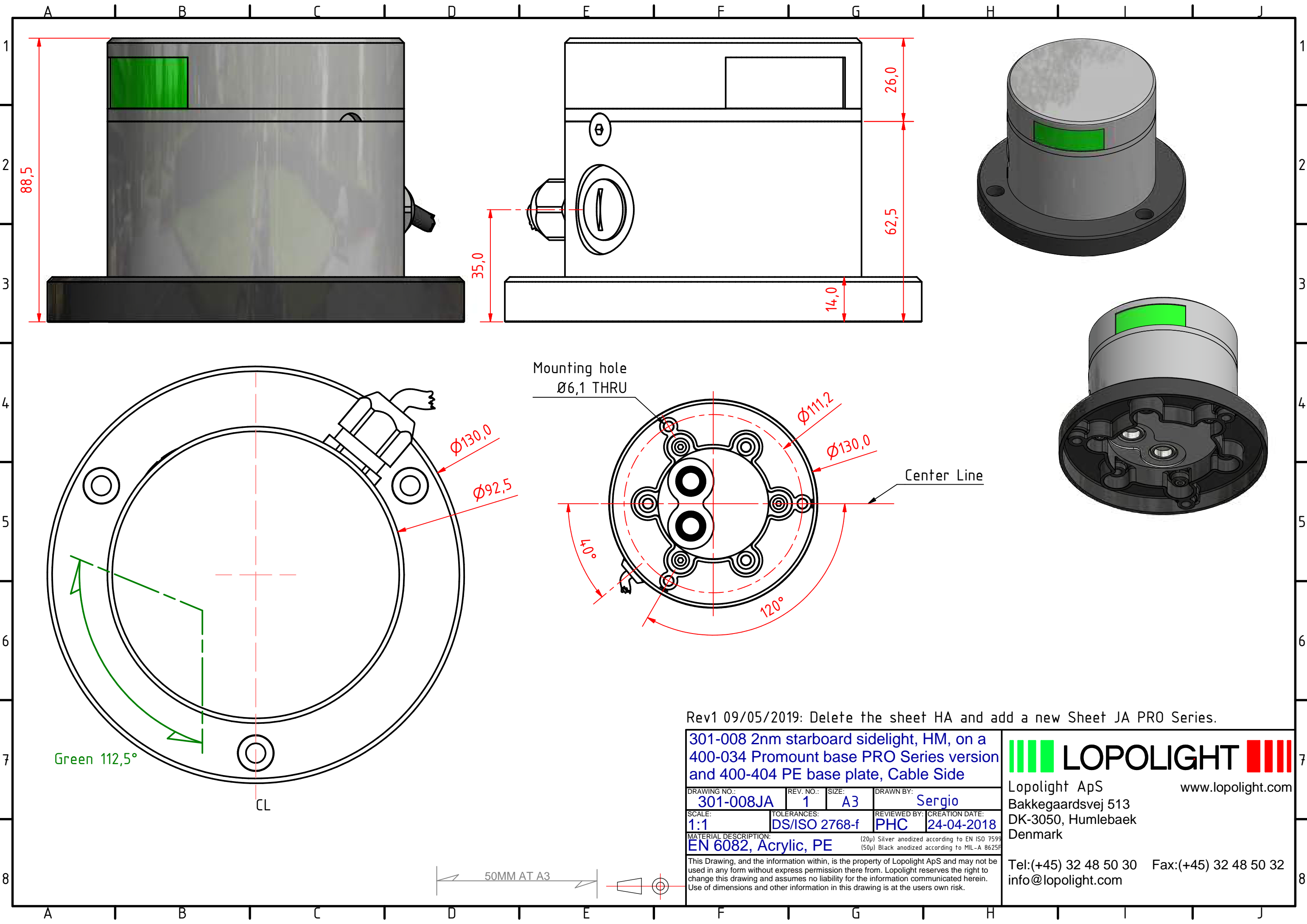
LOPOLIGHT
Lopolight ApS
Bakkegaardsvej 513
DK-3050, Humlebaek
Denmark
www.lopolight.com

Tel:(+45) 32 48 50 30 Fax:(+45) 32 48 50 32
info@lopolight.com



A B C D E F G H I J

8



Green 112,5°

Mounting hole
Ø6,1 THRU

Center Line

Rev1 09/05/2019: Delete the sheet HA and add a new Sheet JA PRO Series.

301-008 2nm starboard sidelight, HM, on a 400-034 Promount base PRO Series version and 400-404 PE base plate, Cable Side

DRAWING NO.: 301-008JA	REV. NO.: 1	SIZE: A3	DRAWN BY: Sergio
SCALE: 1:1	TOLERANCES: DS/ISO 2768-f	REVIEWED BY: PHC	CREATION DATE: 24-04-2018

MATERIAL DESCRIPTION:
EN 6082, Acrylic, PE (20µ) Silver anodized according to EN ISO 7599 (50µ) Black anodized according to MIL-A 8625F

This Drawing, and the information within, is the property of Lopolight ApS and may not be used in any form without express permission there from. Lopolight reserves the right to change this drawing and assumes no liability for the information communicated herein. Use of dimensions and other information in this drawing is at the users own risk.



Lopolight ApS
Bakkegaardsvej 513
DK-3050, Humlebaek
Denmark

Tel:(+45) 32 48 50 30 Fax:(+45) 32 48 50 32
info@lopolight.com

