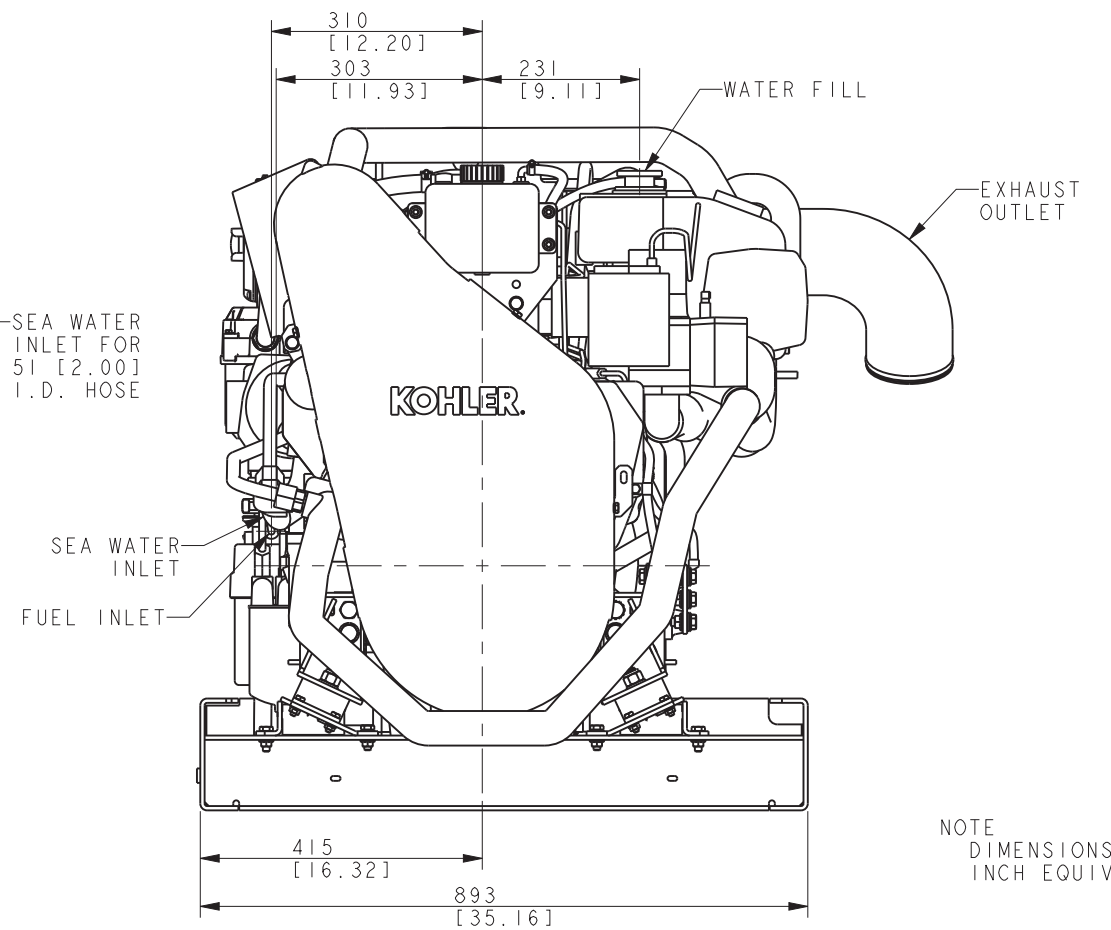
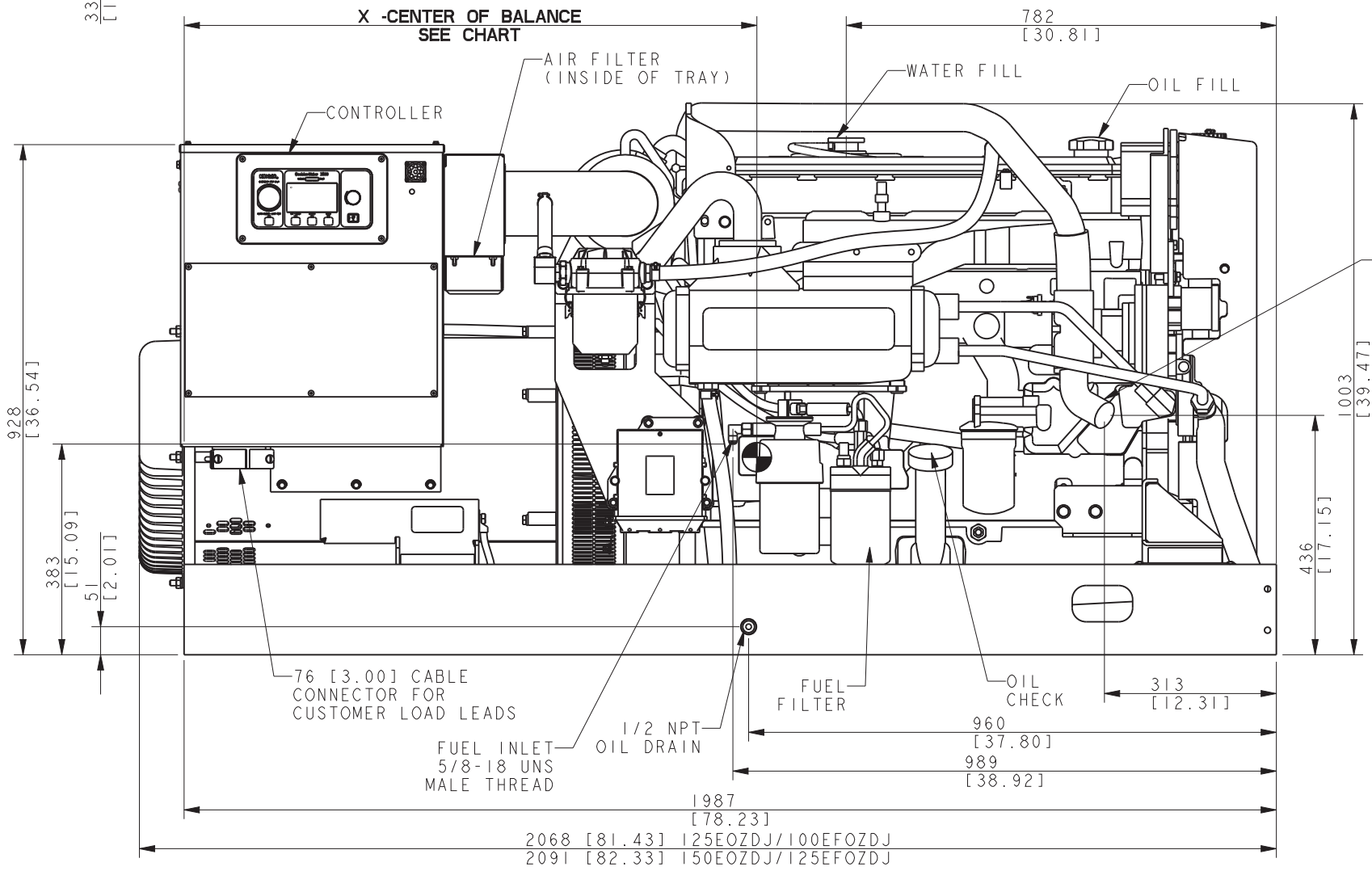


MODEL	WEIGHT		CENTER OF BALANCE (DIMENSION X)
	WET -KG [LBS]	DRY - KG [LBS]	MM [IN]
125EOZDJ/100EFOZDJ			
150EOZDJ/125EFOZDJ			

NOTE  
CENTER OF BALANCE DIMENSION IS TAKEN FROM REAR OF ALTERNATOR END BRACKET.



NOTE  
DIMENSIONS IN [ ] ARE INCH EQUIVALENTS.

TIER III  
125EOZDJ/100EFOZDJ  
150EOZDJ/125EFOZDJ  
JOHN DEERE MARINE

REV	DATE	ON COMPOSITE DWGS. SEE PART NO. FOR REVISION LEVEL	BY
-	1-8-14	NEW DRAWING [CT67146]	DDH
A	10-9-17	(D-8) PRIMARY WAS SECONDARY. (C-4) SECONDARY WAS PRIMARY [CT179950]	AJW

UNLESS OTHERWISE SPECIFIED -  
1) DIMENSIONS ARE IN MILLIMETERS  
2) TOLERANCES ARE:  
X.XX ±  
X.X ±  
X ANGLES ±

THIRD ANGLE PROJECTION

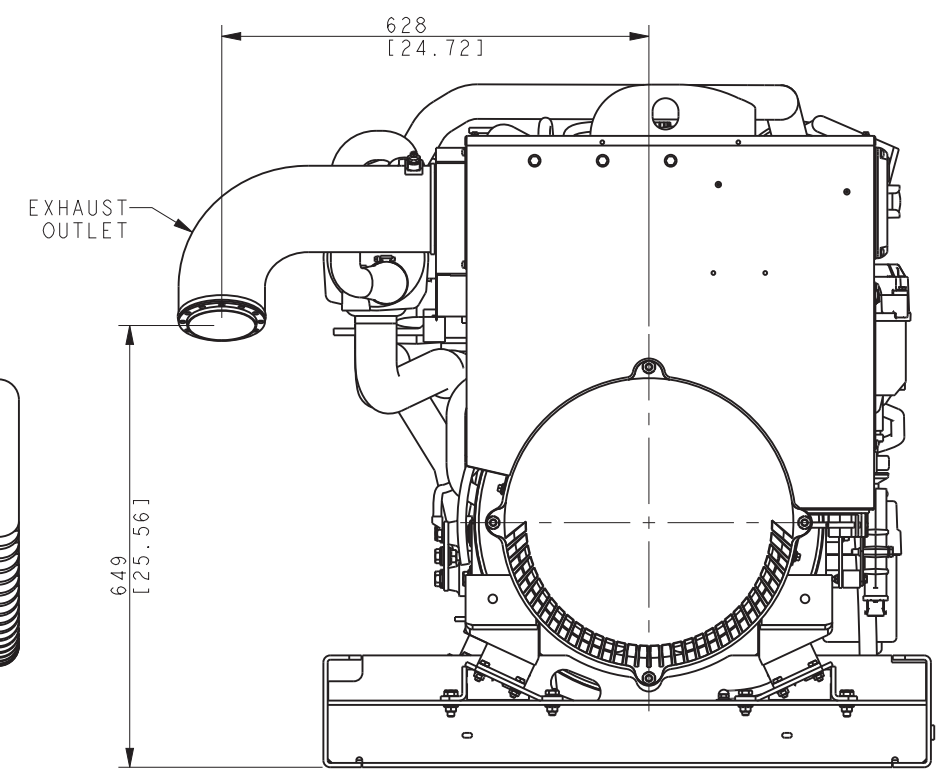
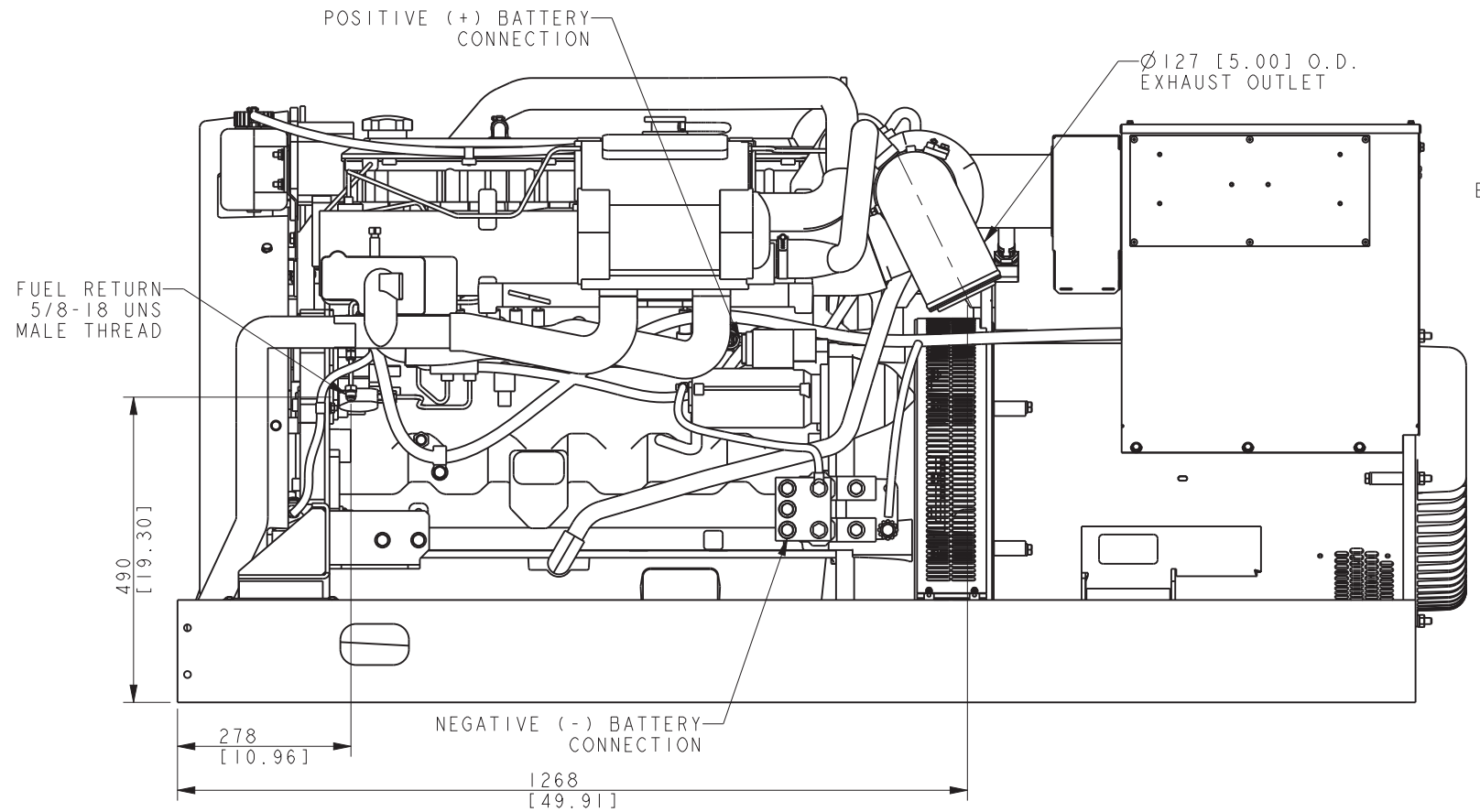
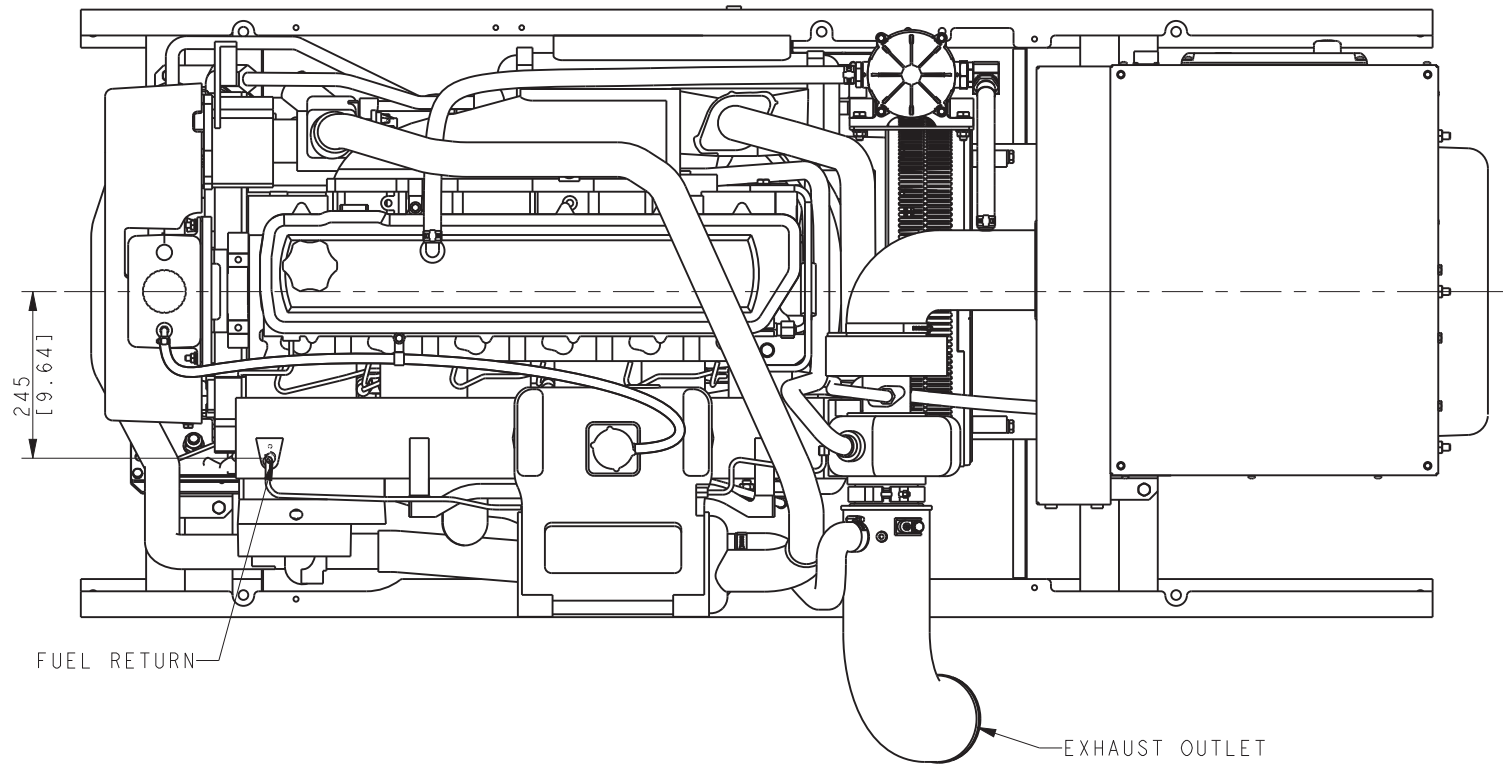
APPROVALS

APPROVALS	DATE
DDH	1-8-14
DDH	1-8-14
TLW	1-8-14

**KOHLER CO.** METRIC PRO-E  
POWER SYSTEMS, KOHLER, WI 53044 U.S.A.  
THIS DRAWING IN DESIGN AND DETAIL IS KOHLER CO. PROPERTY AND MUST NOT BE USED EXCEPT IN CONNECTION WITH KOHLER CO. WORK. ALL RIGHTS OF DESIGN OR INVENTION ARE RESERVED.

TITLE  
**DIMENSION PRINT, 125-150EOZDJ JD MARINE**

SCALE 0.18 CAD NO. SHEET 1 of 2  
DWG NO. **ADV-8508**



REV	DATE	ON COMPOSITE DWGS. SEE PART NO. FOR REVISION LEVEL	BY
-	1-8-14	NEW DRAWING [CT67146]	DDH
A	10-9-17	SEE SHEET 1 OF 2 [CT179950]	AJW

UNLESS OTHERWISE SPECIFIED -	
1) DIMENSIONS ARE IN MILLIMETERS	
2) TOLERANCES ARE:	
x.xx ±	
x.x ±	
x ±	
ANGLES ±	
THIRD ANGLE PROJECTION	
APPROVALS	DATE
DRAWN DDH	1-8-14
CHECKED DDH	1-8-14
APPROVED TLW	1-8-14

**KOHLER CO.** METRIC PRO-E  
 POWER SYSTEMS, KOHLER, WI 53044 U.S.A.  
 THIS DRAWING IN DESIGN AND DETAIL IS KOHLER CO. PROPERTY AND MUST NOT BE USED EXCEPT IN CONNECTION WITH KOHLER CO. WORK. ALL RIGHTS OF DESIGN OR INVENTION ARE RESERVED.

TITLE  
**DIMENSION PRINT, 125-150EOZDJ JD MARINE**

SCALE 0.18 CAD NO. SHEET 2 of 2  
 DWG NO. **ADV-8508**