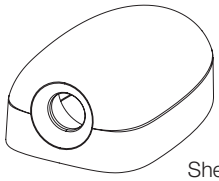
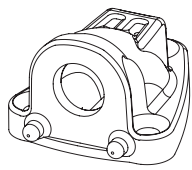
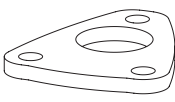
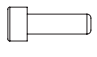

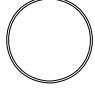
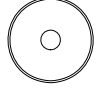
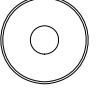
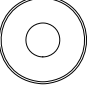

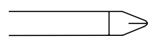


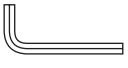
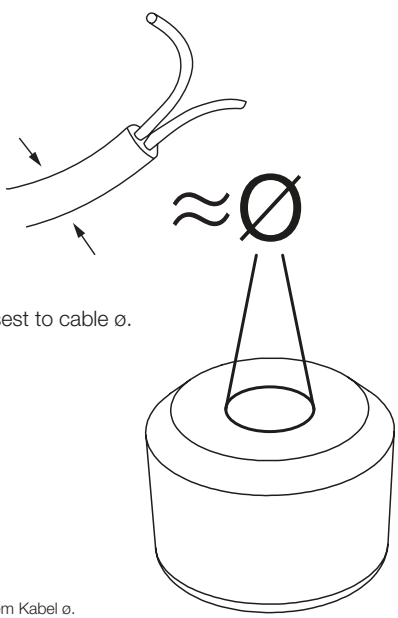


Parts List

 Shell x1	 Base x1	 Gasket x1				
 M4X12 Bolt - (Black*) x1	Self Drill	2mm	3mm	4mm	5mm	6mm
 No. 4X16 self tapping screw x3						Bungs x6

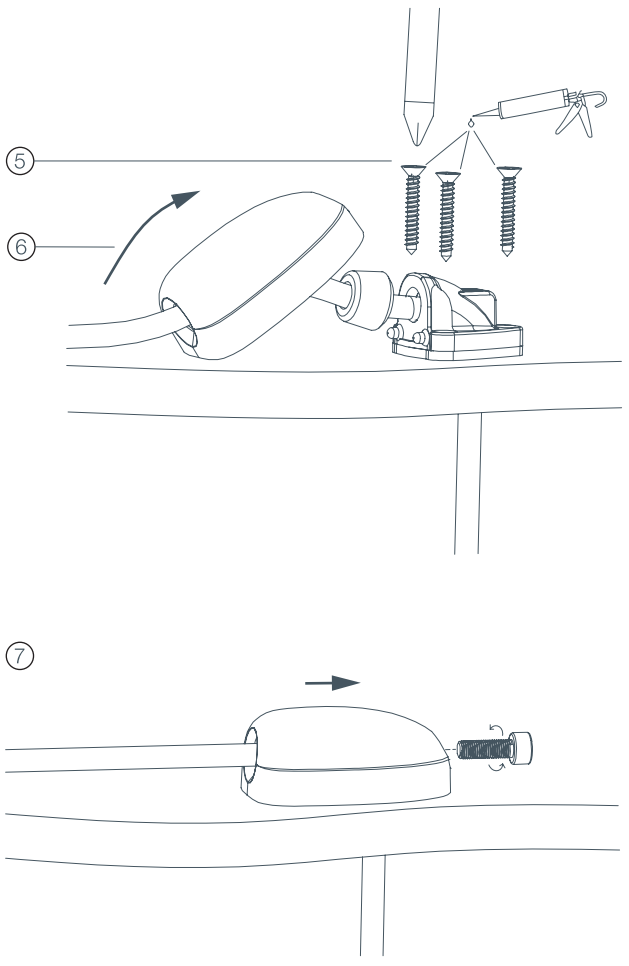
Tools Required

 Pozi Screwdriver	 Silicone
 ø2.5mm (3/32") ø3mm (1/8") ø10mm (25/64") Drill Bit	 3mm (1/8") Allen Key



① Choose bung closest to cable ø.

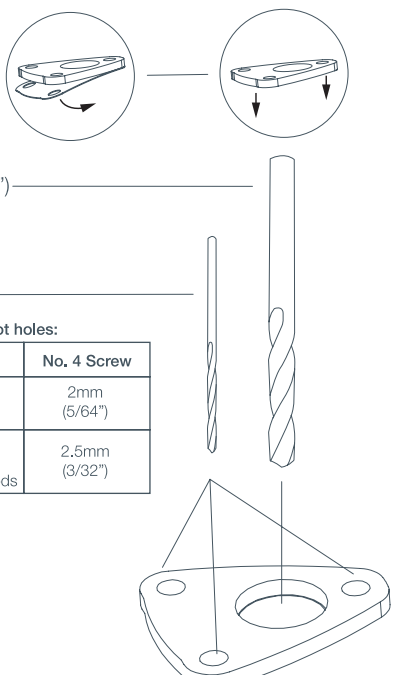
DE - Wähle Dichtung nahe dem Kabel ø.  
IT - Scegliere il passafili adatto al ø del cavo.  
ES - Elija el tapón con el diámetro más parecido al cable.  
FR - Choisissez le joint le plus proche du diamètre du câble.



5

6

7



②

③ 10mm (0.39")

④

Suggested pilot holes:

Material	No. 4 Screw
Soft Material e.g. plywood	2mm (5/64")
Hard Material e.g. fiberglass, acrylic, hardwoods	2.5mm (3/32")

Share your installation with us.



UK & International  
+44 (0)1392 531280  
sales@scanstrut.com

For further installation  
and warranty information  
please visit:  
www.scanstrut.com

USA  
+1 860 308 1416  
usasales@scanstrut.com

**SCANSTRUT**