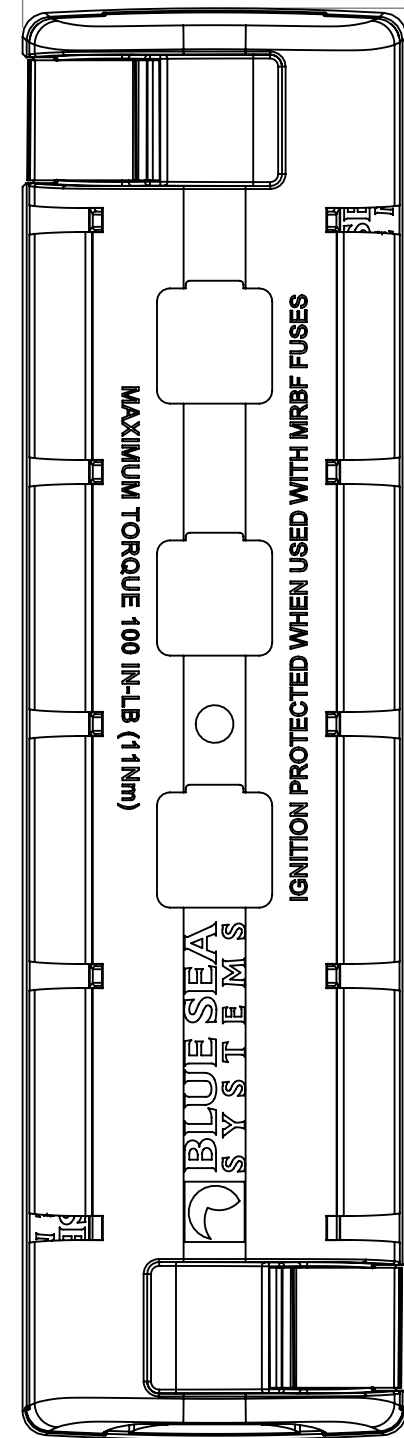


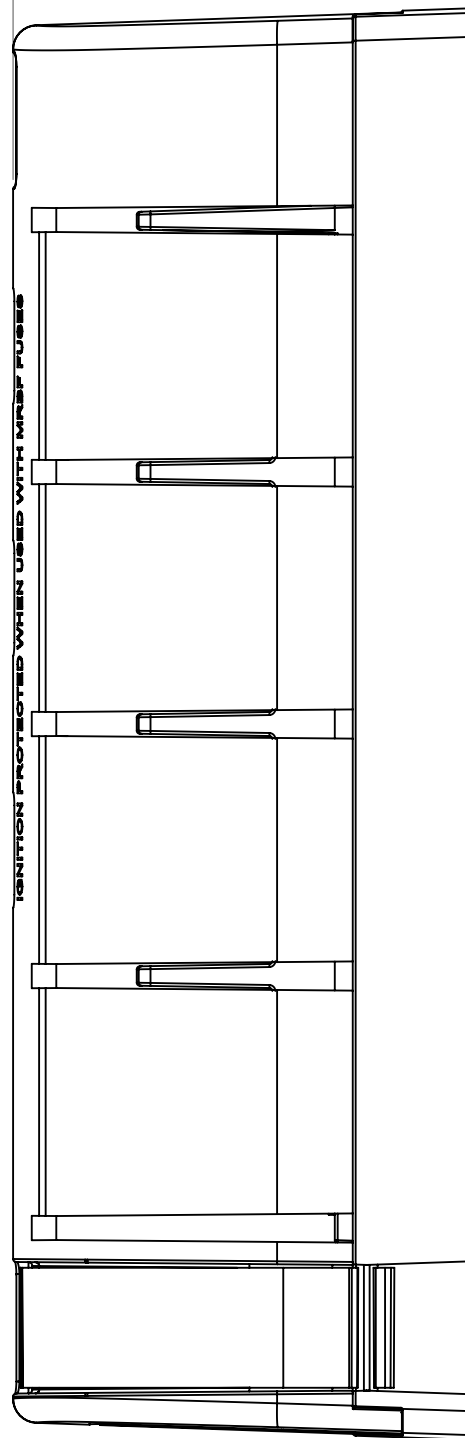
THIS DRAWING AND THE INFORMATION CONTAINED WITHIN IT ARE CONFIDENTIAL AND MAY NOT BE COPIED OR DISCLOSED WITHOUT THE WRITTEN PERMISSION OF BLUE SEA SYSTEMS.

2.00in
[50.8mm]



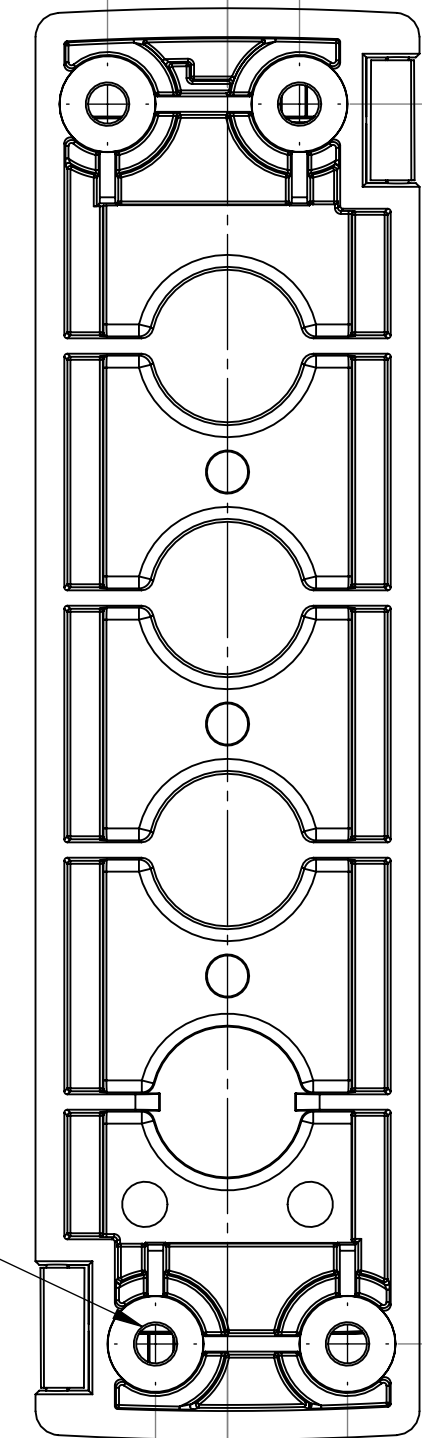
7.46in
[189.4mm]

2.40in
[61.1mm]



0.63in
[15.9mm]

0.38in
[9.5mm]



6.46in
[164.0mm]

CLEAR AND COUNTERBORE FOR #10 or 5mm MOUNTING SCREWS x 4

0.38in
[9.5mm]

0.63in
[15.9mm]

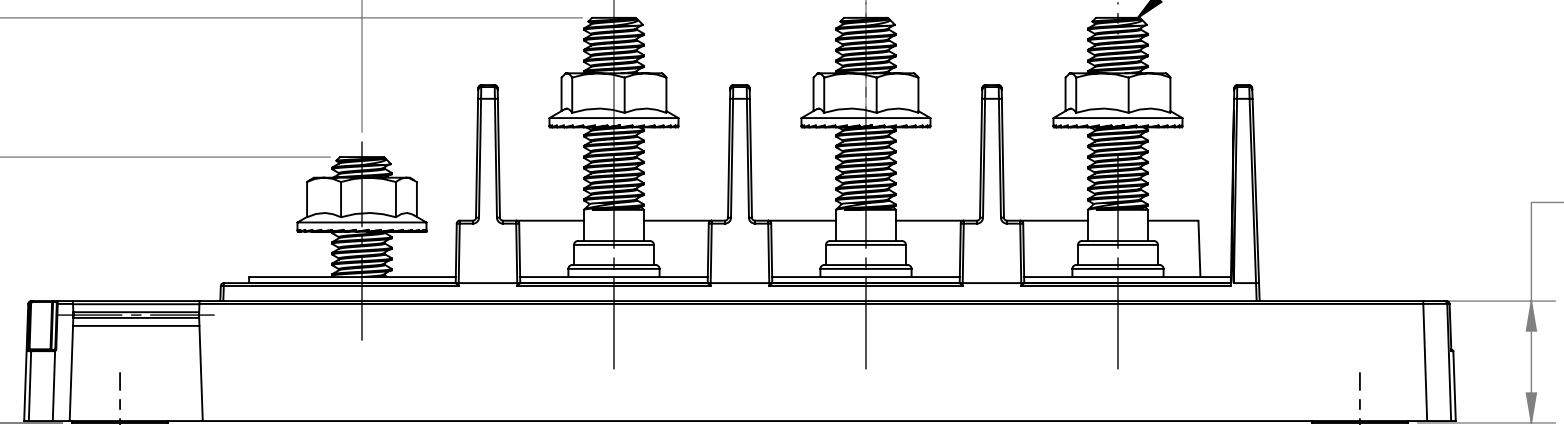
1.31in
[33.3mm]

1.31in
[33.3mm]

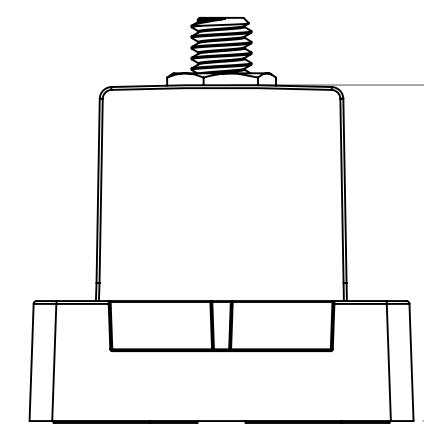
5/16"-18 STUDS x 4

2.11in
[53.6mm]

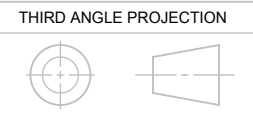
1.39in
[35.2mm]



0.64in
[16.1mm]



1.75in
[44.5mm]



NAME	DATE
DRAWN J. RAU	2016.09.28
CHECKED -	-
-	-
-	-
COMMENTS:	-

BLUE SEA SYSTEMS
425 Sequoia Drive Bellingham, WA 98226
Phone (360)738-8230 Fax (360)734-4195

Part Number 5196

SIZE	DWG. NO.	REV.
C	5196-4 Fuse Block MRBF 3 Cir Common	4
SCALE 1:1	WEIGHT: POUNDS	SHEET 1 OF 1