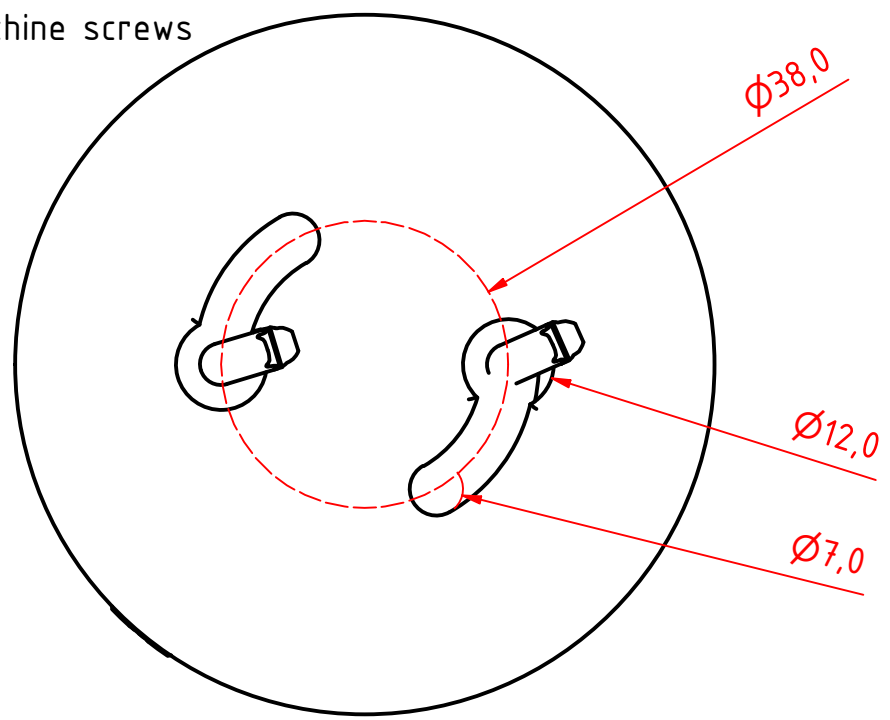
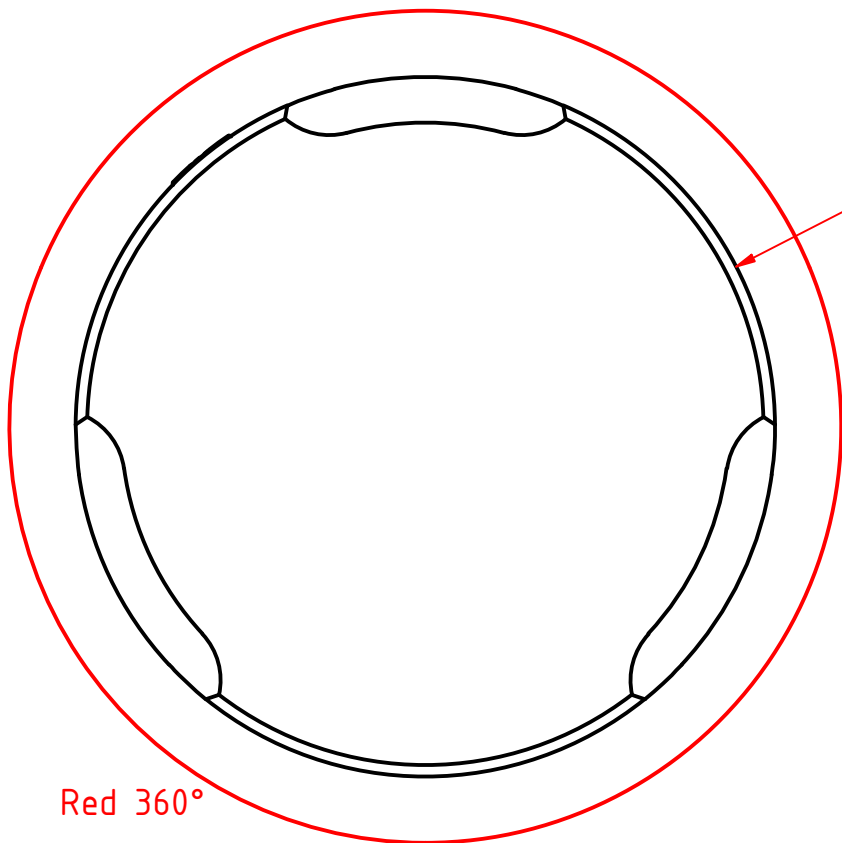


Note:
 The PE Plastic base is intended for fitting on site and can be either drilled for mounting screws from above or drilled and tapped from below. 6mm machine screws with nuts and washers are recommended for secure mounting.



200-014G2, 360° Red on a 400-038 PE std base

DRAWING NO.:	REV. NO.:	SIZE:	DRAWN BY:
200-014G2-AA	0	A3	Thomas
SCALE:	TOLERANCES:	REVIEWED BY:	CREATION DATE:
1 : 1	DS/ISO 2768-f		25-05-2021

MATERIAL DESCRIPTION:
 (20µ) Silver anodized according to EN ISO 7599
 (50µ) Black anodized according to MIL-A 8625F

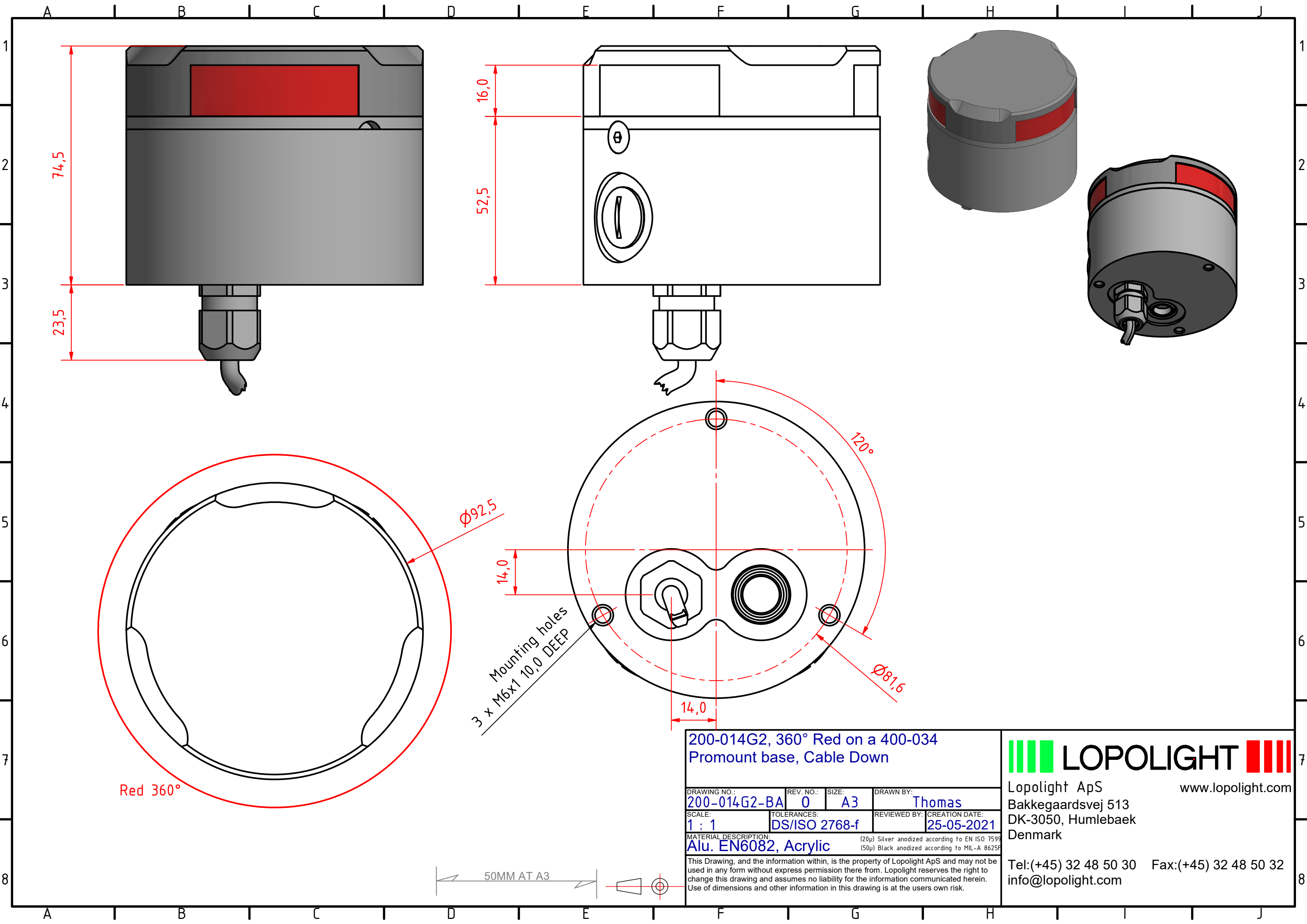
This Drawing, and the information within, is the property of Lopolight ApS and may not be used in any form without express permission there from. Lopolight reserves the right to change this drawing and assumes no liability for the information communicated herein. Use of dimensions and other information in this drawing is at the users own risk.



Lopolight ApS www.lopolight.com
 Bakkegaardsvej 513
 DK-3050, Humlebaek
 Denmark

Tel:(+45) 32 48 50 30 Fax:(+45) 32 48 50 32
 info@lopolight.com





200-014G2, 360° Red on a 400-034
Promount base, Cable Down

DRAWING NO.:	REV. NO.:	SIZE:	DRAWN BY:
200-014G2-BA	0	A3	Thomas
SCALE:	TOLERANCES:	REVIEWED BY:	CREATION DATE:
1 : 1	DS/ISO 2768-f		25-05-2021

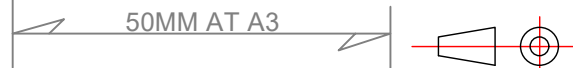
MATERIAL DESCRIPTION:
Alu. EN6082, Acrylic (20µ) Silver anodized according to EN ISO 7599
(50µ) Black anodized according to MIL-A 8625F

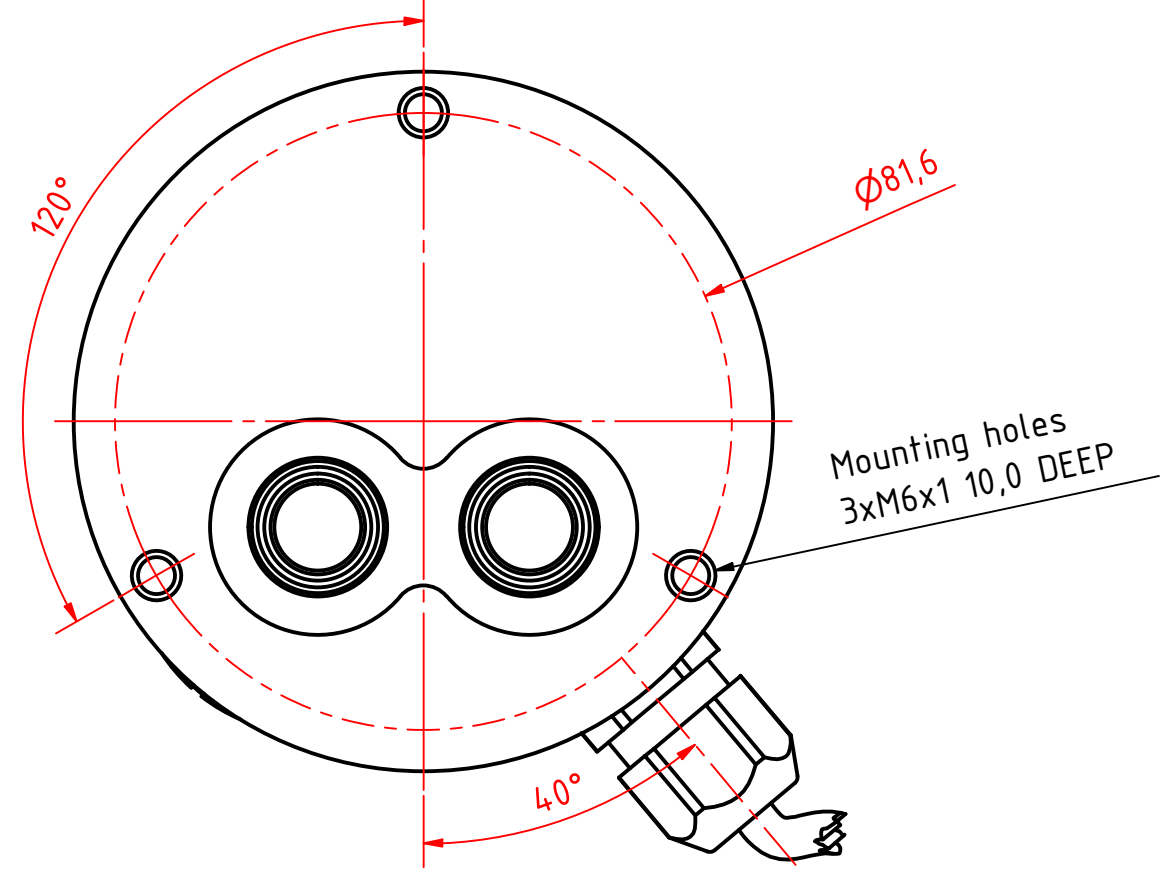
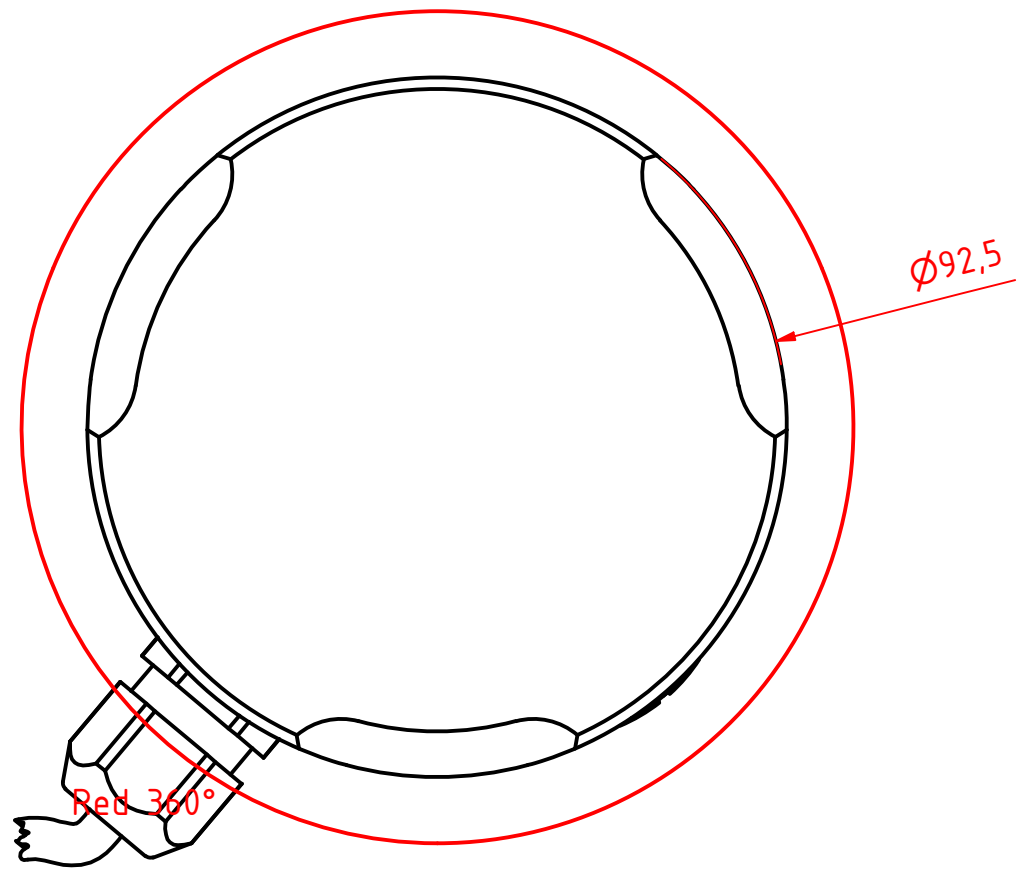
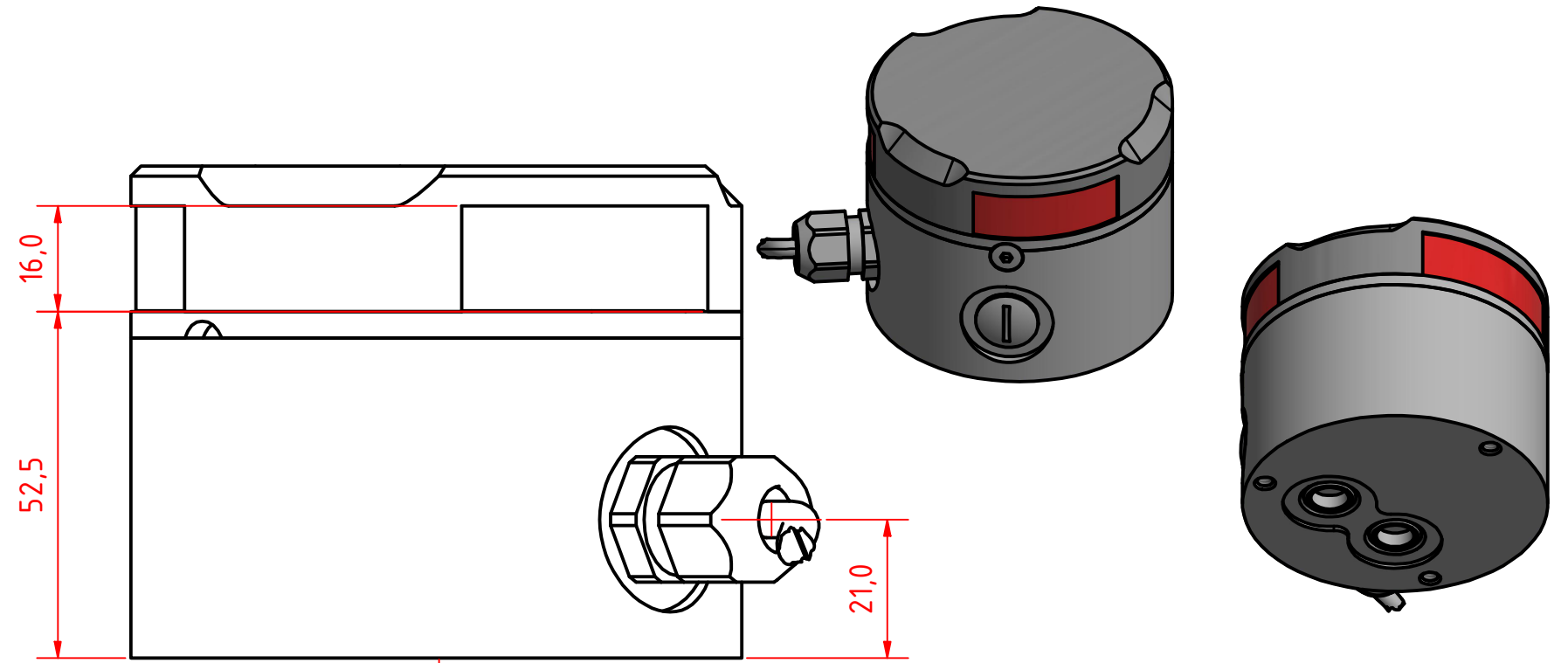
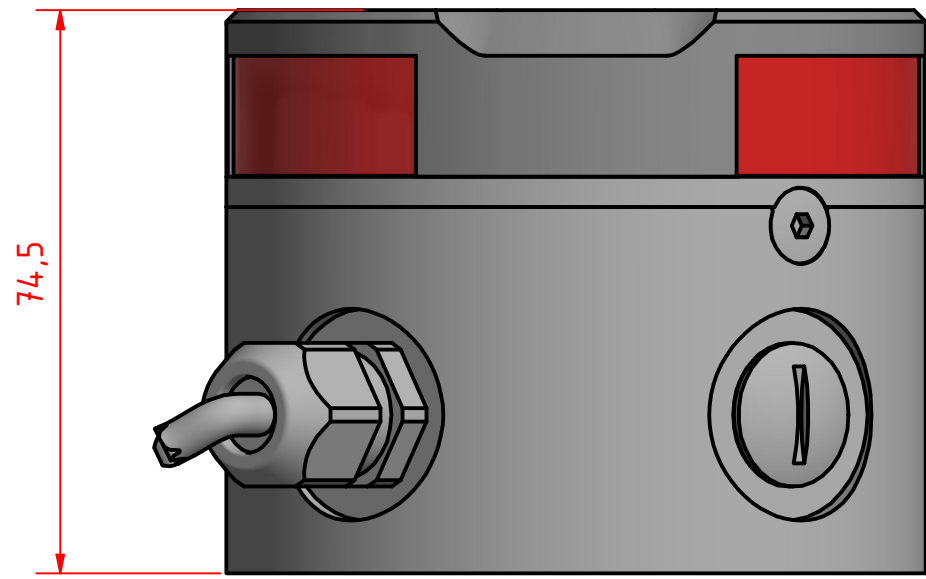
This Drawing, and the information within, is the property of Lopolight ApS and may not be used in any form without express permission there from. Lopolight reserves the right to change this drawing and assumes no liability for the information communicated herein. Use of dimensions and other information in this drawing is at the users own risk.



Lopolight ApS www.lopolight.com
 Bakkegaardsvej 513
 DK-3050, Humlebaek
 Denmark

Tel: (+45) 32 48 50 30 Fax: (+45) 32 48 50 32
 info@lopolight.com





200-014G2, 360° Red on a 400-034
Promount base, Cable Side

DRAWING NO.: 200-014G2-CA	REV. NO.: 0	SIZE: A3	DRAWN BY: Thomas
SCALE: 1 : 1	TOLERANCES: DS/ISO 2768-f	REVIEWED BY:	CREATION DATE: 25-05-2021

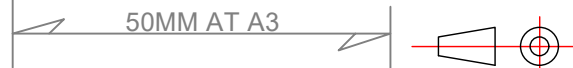
MATERIAL DESCRIPTION:
Alu. EN6082, Acrylic (20µ) Silver anodized according to EN ISO 7599
(50µ) Black anodized according to MIL-A 8625F

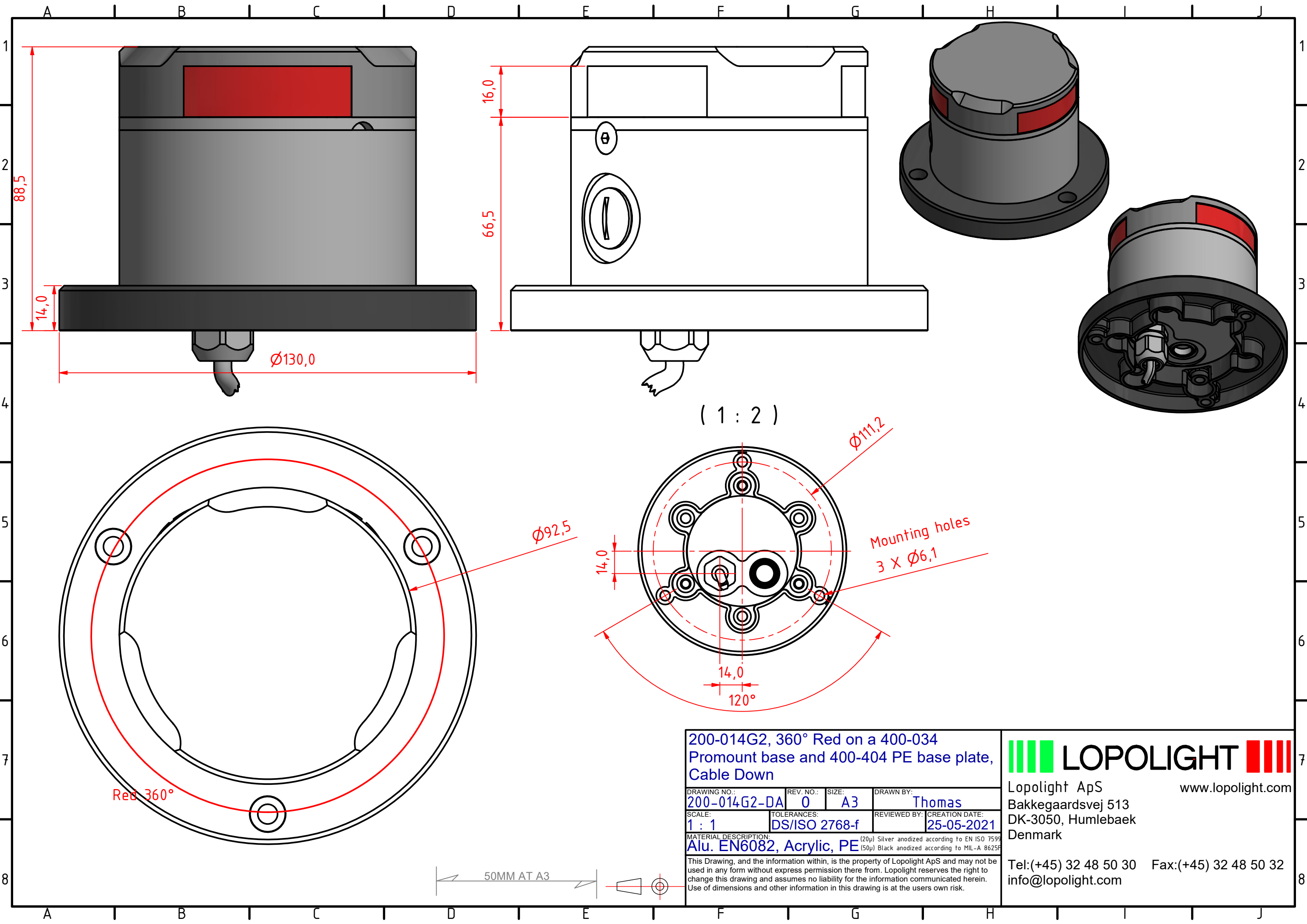
This Drawing, and the information within, is the property of Lopolight ApS and may not be used in any form without express permission there from. Lopolight reserves the right to change this drawing and assumes no liability for the information communicated herein. Use of dimensions and other information in this drawing is at the users own risk.



Lopolight ApS
Bakkegaardsvej 513
DK-3050, Humlebaek
Denmark
www.lopolight.com

Tel:(+45) 32 48 50 30 Fax:(+45) 32 48 50 32
info@lopolight.com





200-014G2, 360° Red on a 400-034
 Promount base and 400-404 PE base plate,
 Cable Down

DRAWING NO.:	REV. NO.:	SIZE:	DRAWN BY:
200-014G2-DA	0	A3	Thomas

SCALE:	TOLERANCES:	REVIEWED BY:	CREATION DATE:
1 : 1	DS/ISO 2768-f		25-05-2021

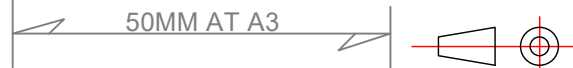
MATERIAL DESCRIPTION:
 Alu. EN6082, Acrylic, PE (20µ) Silver anodized according to EN ISO 7599
 (50µ) Black anodized according to MIL-A 8625F

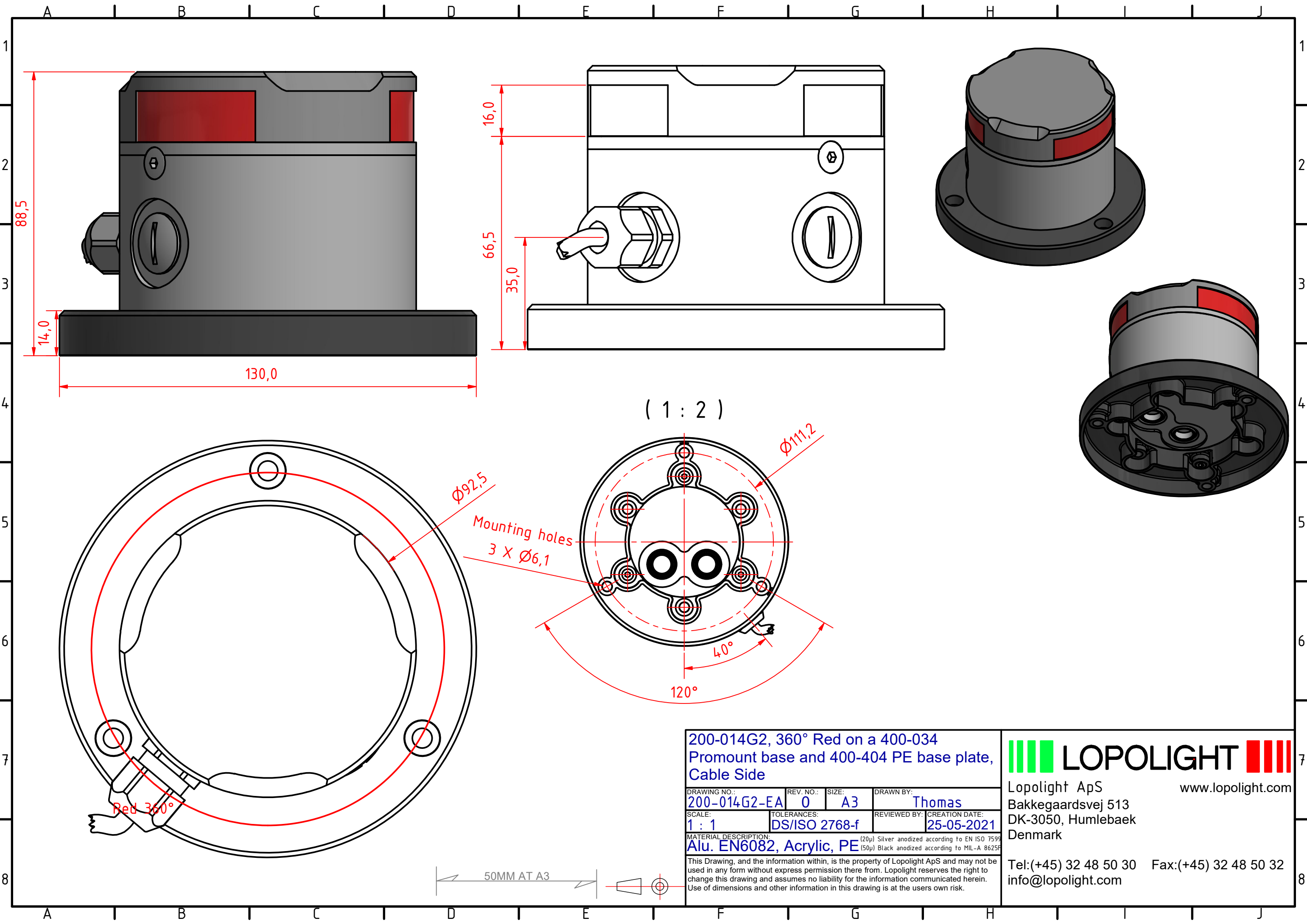
This Drawing, and the information within, is the property of Lopolight ApS and may not be used in any form without express permission there from. Lopolight reserves the right to change this drawing and assumes no liability for the information communicated herein. Use of dimensions and other information in this drawing is at the users own risk.



Lopolight ApS
 Bakkegaardsvej 513
 DK-3050, Humlebaek
 Denmark

Tel:(+45) 32 48 50 30 Fax:(+45) 32 48 50 32
 info@lopolight.com





200-014G2, 360° Red on a 400-034
 Promount base and 400-404 PE base plate,
 Cable Side

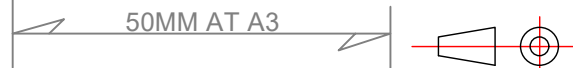
DRAWING NO.:	REV. NO.:	SIZE:	DRAWN BY:
200-014G2-EA	0	A3	Thomas

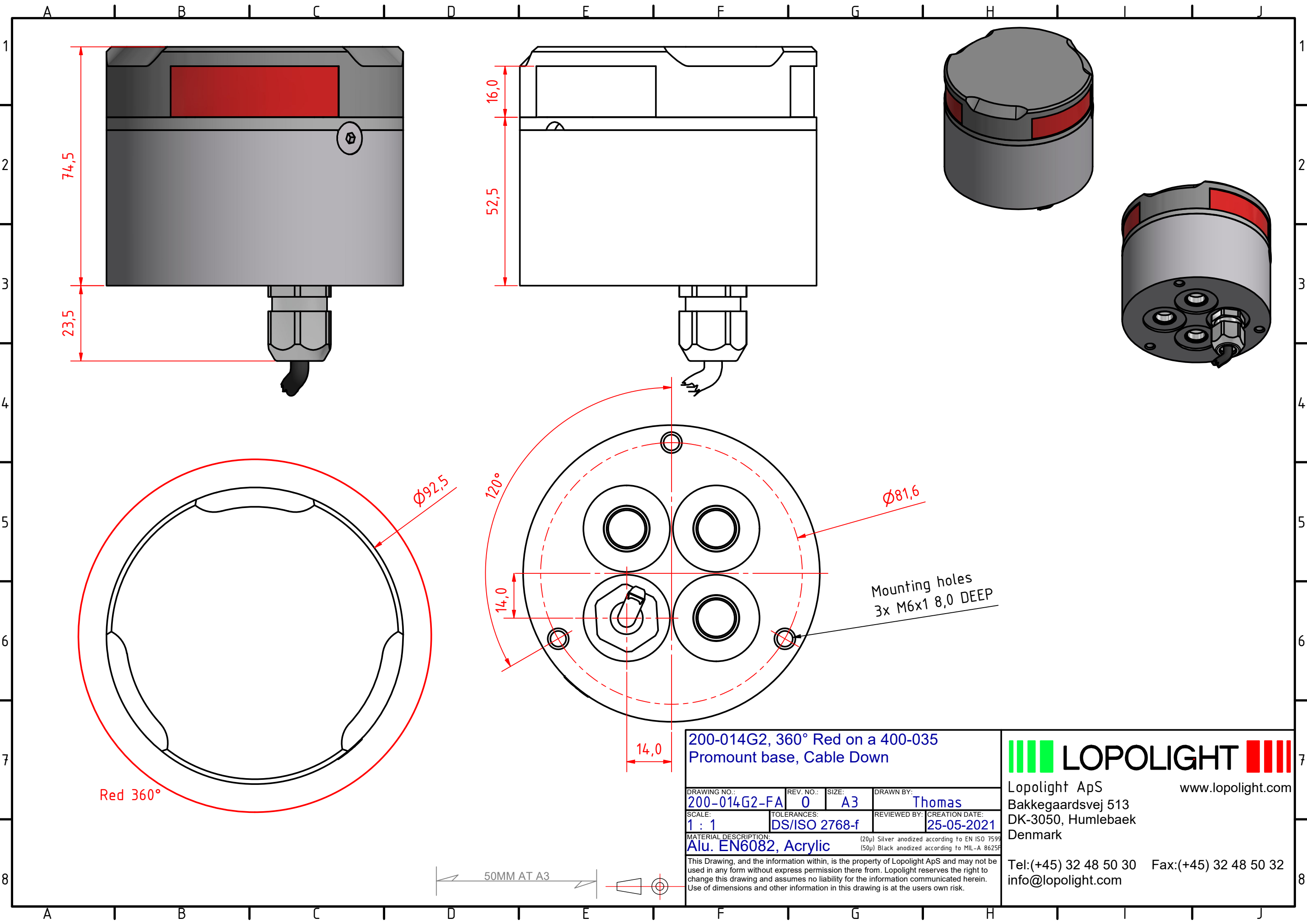
SCALE:	TOLERANCES:	REVIEWED BY:	CREATION DATE:
1 : 1	DS/ISO 2768-f		25-05-2021

MATERIAL DESCRIPTION:
 Alu. EN6082, Acrylic, PE (20µ) Silver anodized according to EN ISO 7599
 (50µ) Black anodized according to MIL-A 8625F

This Drawing, and the information within, is the property of Lopolight ApS and may not be used in any form without express permission there from. Lopolight reserves the right to change this drawing and assumes no liability for the information communicated herein. Use of dimensions and other information in this drawing is at the users own risk.

LOPOLIGHT
 Lopolight ApS
 Bakkegaardsvej 513
 DK-3050, Humlebaek
 Denmark
 Tel:(+45) 32 48 50 30 Fax:(+45) 32 48 50 32
 info@lopolight.com
 www.lopolight.com





200-014G2, 360° Red on a 400-035
Promount base, Cable Down

DRAWING NO.:	REV. NO.:	SIZE:	DRAWN BY:
200-014G2-FA	0	A3	Thomas
SCALE:	TOLERANCES:	REVIEWED BY:	CREATION DATE:
1 : 1	DS/ISO 2768-f		25-05-2021

MATERIAL DESCRIPTION:
Alu. EN6082, Acrylic (20µ) Silver anodized according to EN ISO 7599
(50µ) Black anodized according to MIL-A 8625F

This Drawing, and the information within, is the property of Lopolight ApS and may not be used in any form without express permission there from. Lopolight reserves the right to change this drawing and assumes no liability for the information communicated herein. Use of dimensions and other information in this drawing is at the users own risk.

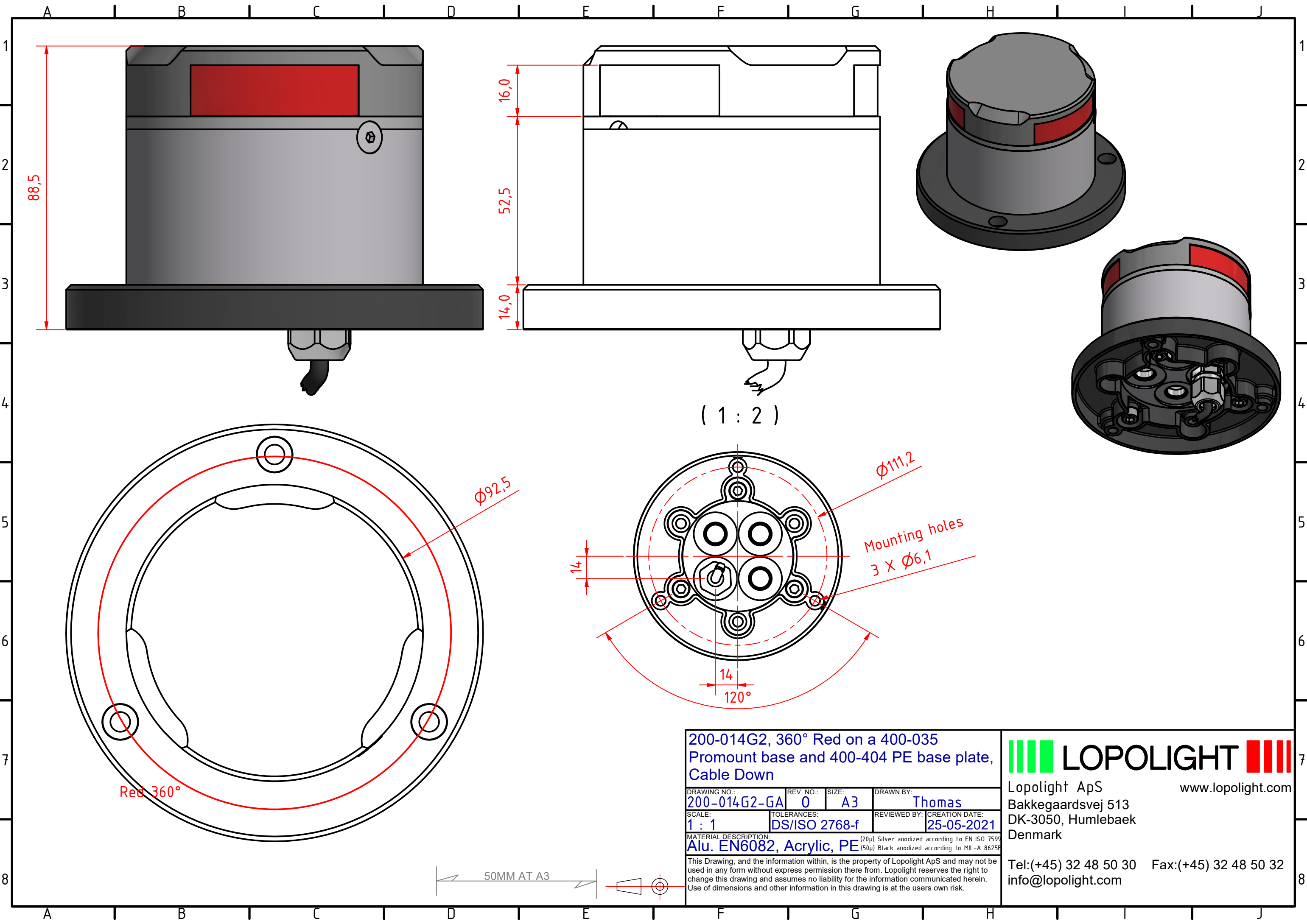


Lopolight ApS
Bakkegaardsvej 513
DK-3050, Humlebaek
Denmark

Tel:(+45) 32 48 50 30 Fax:(+45) 32 48 50 32
info@lopolight.com

www.lopolight.com





200-014G2, 360° Red on a 400-035
 Promount base and 400-404 PE base plate,
 Cable Down

DRAWING NO.:	REV. NO.:	SIZE:	DRAWN BY:
200-014G2-GA	0	A3	Thomas
SCALE:	TOLERANCES:	REVIEWED BY:	CREATION DATE:
1 : 1	DS/ISO 2768-f		25-05-2021

MATERIAL DESCRIPTION:
 Alu. EN6082, Acrylic, PE (20µ) Silver anodized according to EN ISO 7599
 (50µ) Black anodized according to MIL-A 8625F

This Drawing, and the information within, is the property of Lopolight ApS and may not be used in any form without express permission there from. Lopolight reserves the right to change this drawing and assumes no liability for the information communicated herein. Use of dimensions and other information in this drawing is at the users own risk.

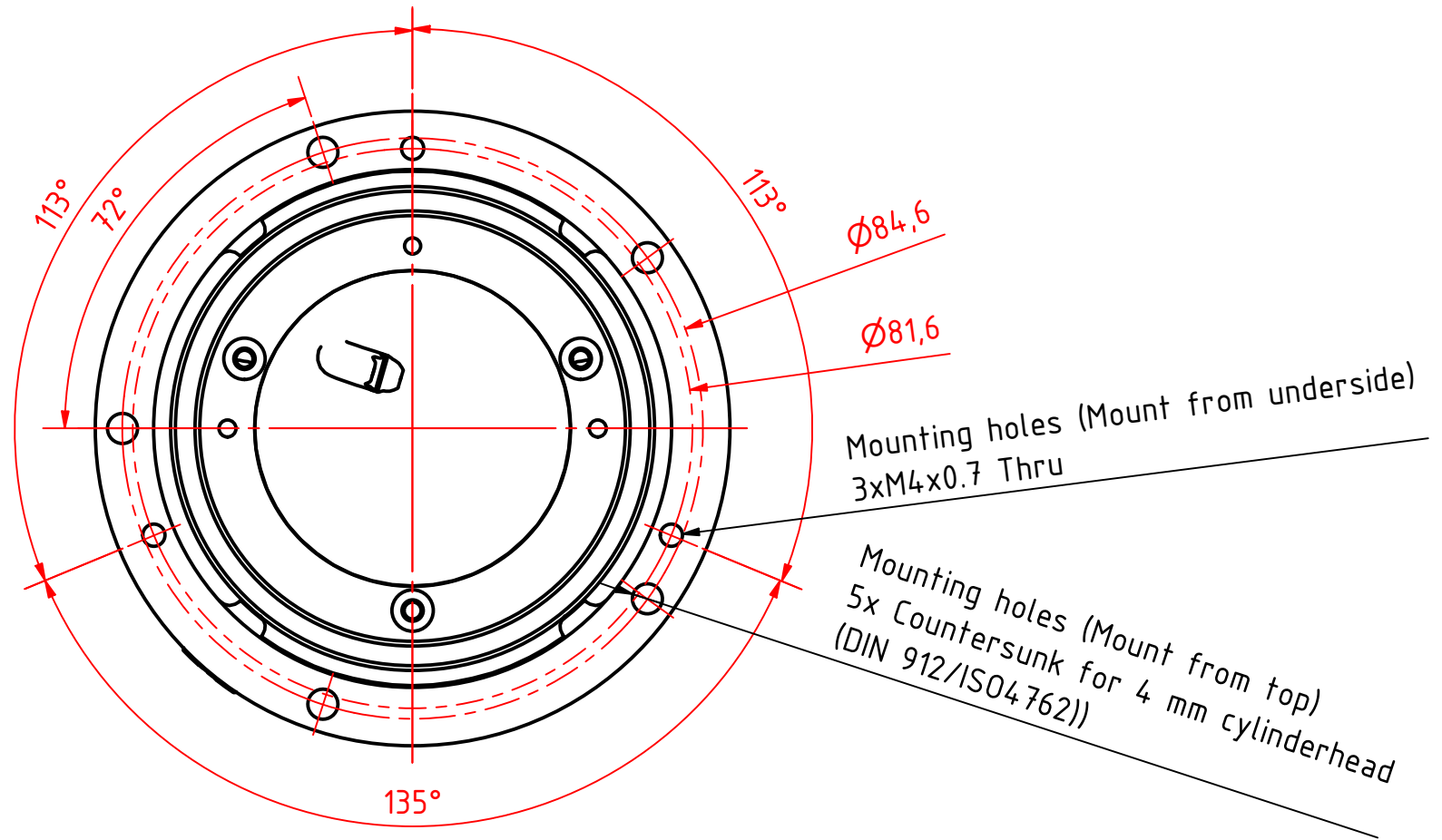
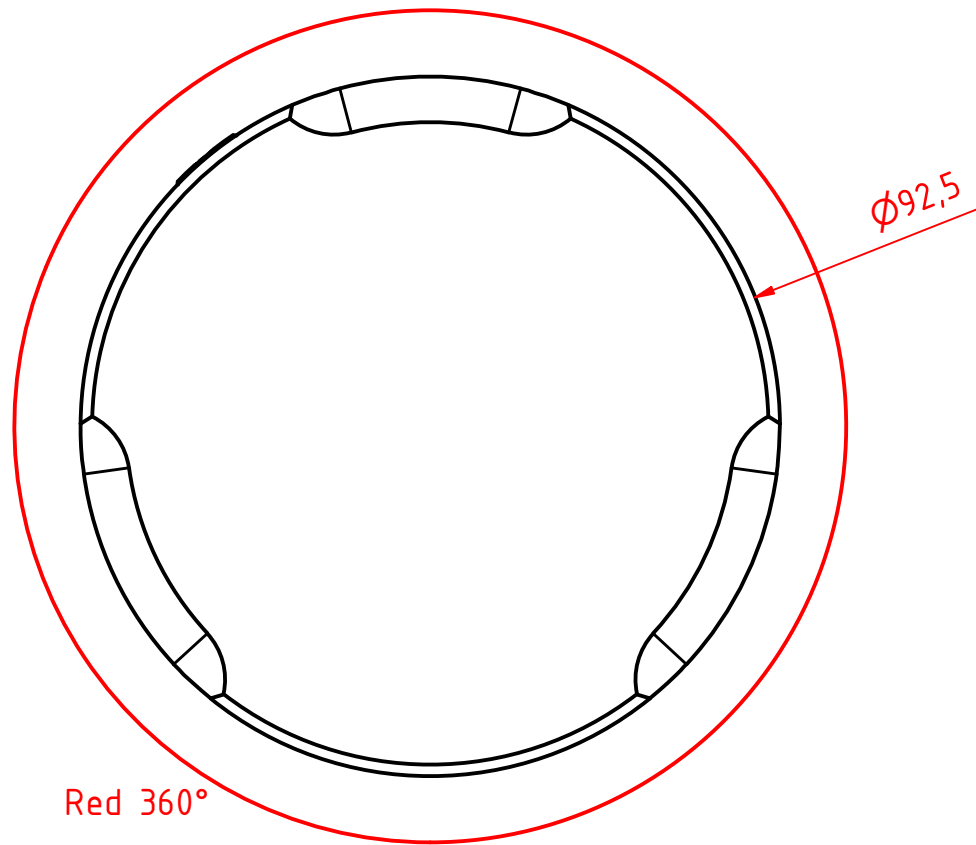
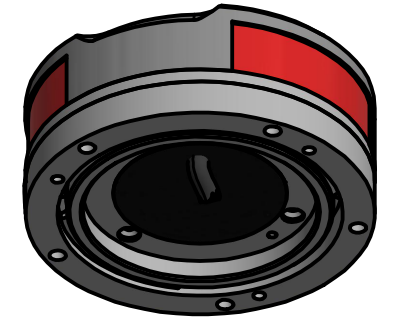
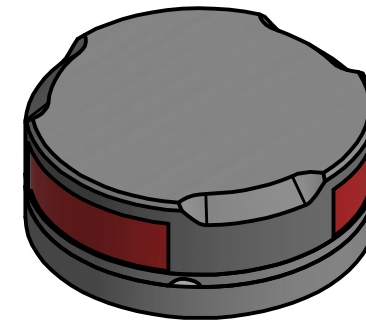
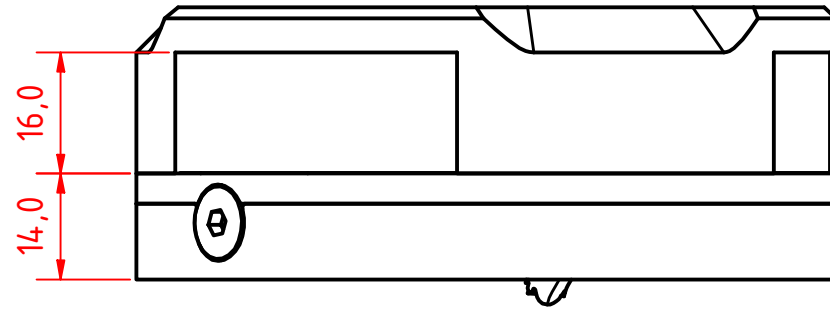
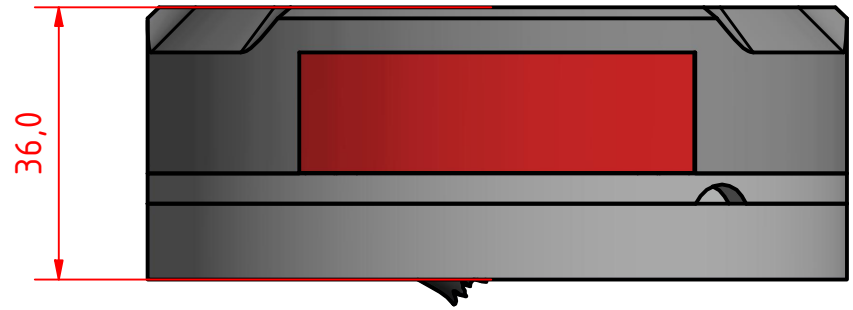
LOPOLIGHT

Lopolight ApS
 Bakkegaardsvej 513
 DK-3050, Humlebaek
 Denmark

www.lopolight.com

Tel:(+45) 32 48 50 30 Fax:(+45) 32 48 50 32
 info@lopolight.com





**200-014G2, 360° Red on a 400-036 Ultra
Low profile base**

DRAWING NO.: 200-014G2	REV. NO.: 0	SIZE: A3	DRAWN BY: Thomas
SCALE: 1 : 1	TOLERANCES: DS/ISO 2768-f	REVIEWED BY:	CREATION DATE: 25-05-2021
MATERIAL DESCRIPTION: Alu. EN6082, Acrylic (20µ) Silver anodized according to EN ISO 7599 (50µ) Black anodized according to MIL-A 8625F			
This Drawing, and the information within, is the property of Lopolight ApS and may not be used in any form without express permission there from. Lopolight reserves the right to change this drawing and assumes no liability for the information communicated herein. Use of dimensions and other information in this drawing is at the users own risk.			

LOPOLIGHT

Lopolight ApS
Bakkegaardsvej 513
DK-3050, Humlebaek
Denmark

www.lopolight.com

Tel:(+45) 32 48 50 30 Fax:(+45) 32 48 50 32
info@lopolight.com

