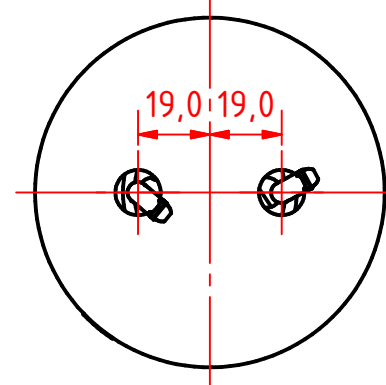
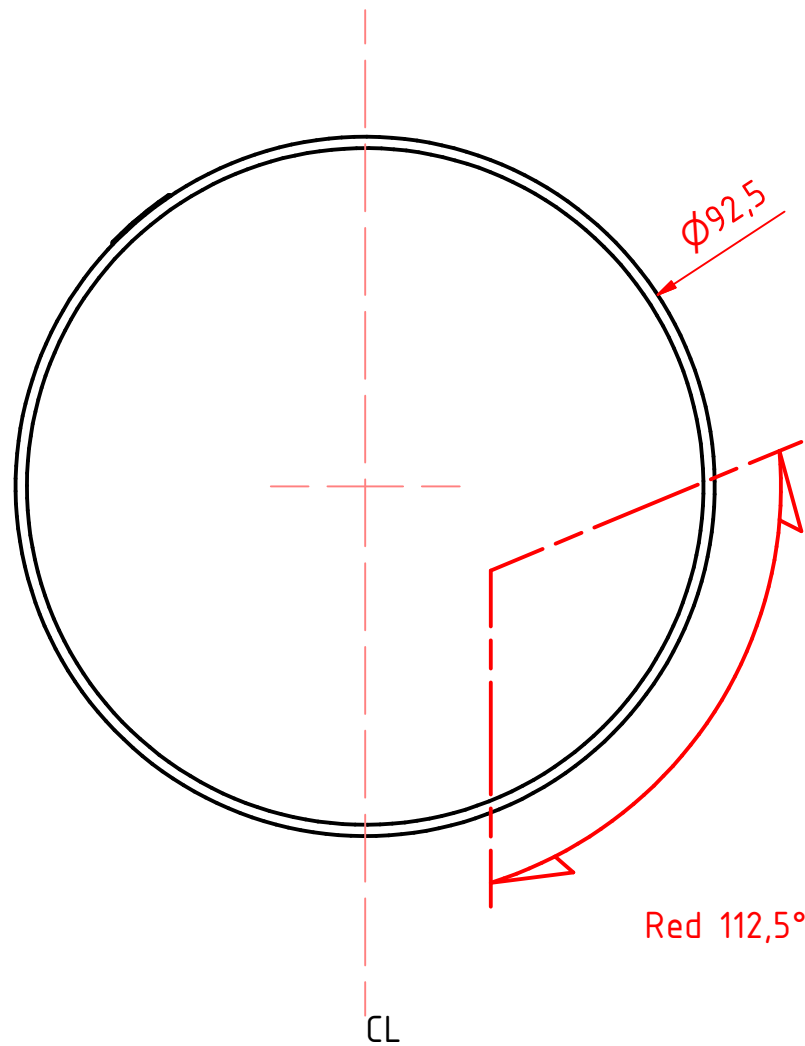


Note:
 The PE Plastic base is intended for fitting on site and can be either drilled for mounting screws from above. 6mm screws with nuts and washers are recommended for secure mounting.



Rev2: 09/05/2019 Adding text PRO Series version on the sheet JB and add Sheet IB.
 Rev1: 20/02/2019 Addition of sheet 301-009GB

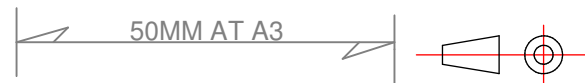
301-009ST 2nm double port sidelight, HM, on a 400-038 PE std base			
DRAWING NO.:	REV. NO.:	SIZE:	DRAWN BY:
301-009GB	2	A3	Sergio
SCALE:	TOLERANCES:	REVIEWED BY:	CREATION DATE:
1:1	DS/ISO 2768-f	PHC	24-04-2018
MATERIAL DESCRIPTION:			
EN 6082, , Acrylic (20µ) Silver anodized according to EN ISO 7599 (50µ) Black anodized according to MIL-A 8625F			

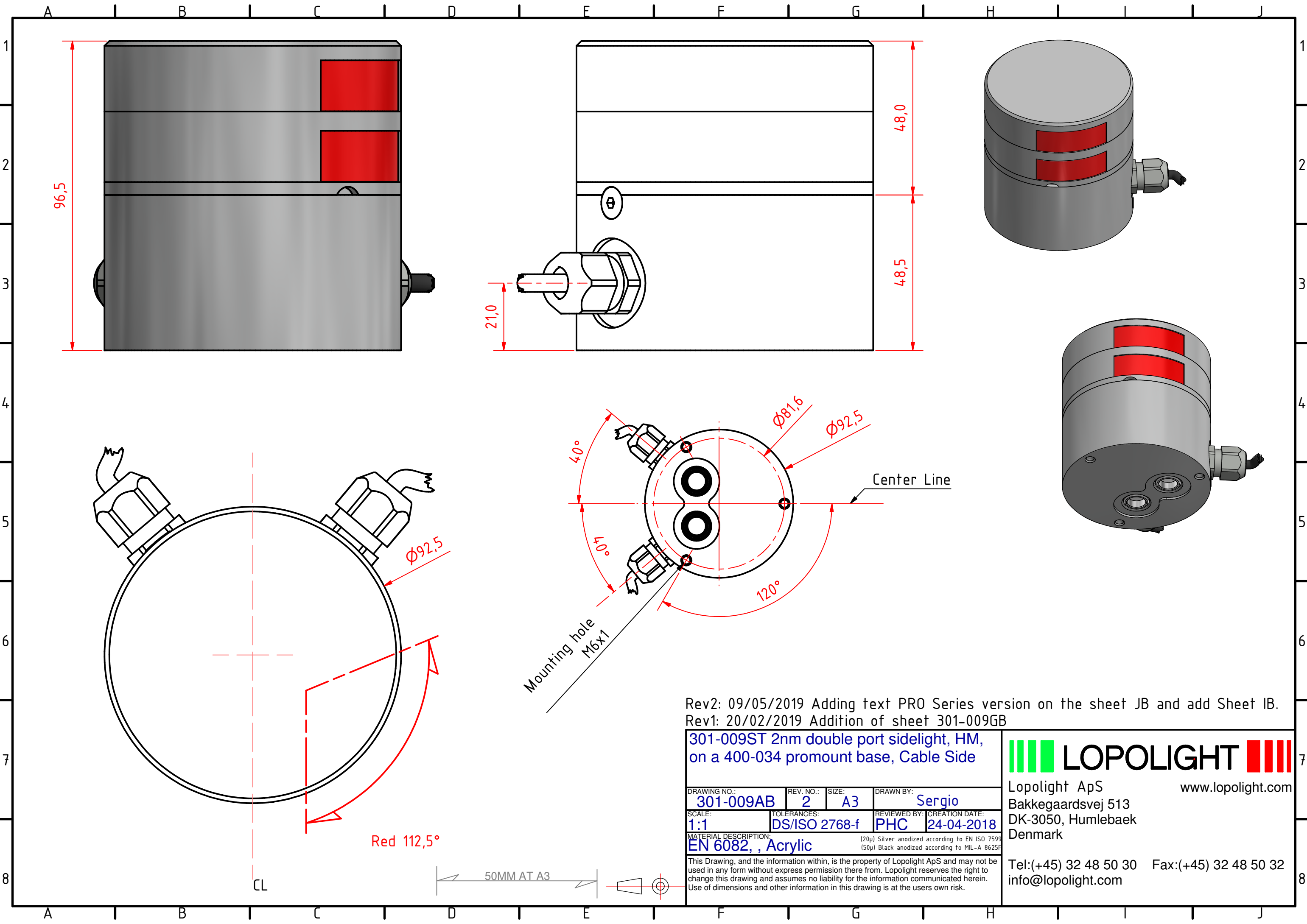


LOPOLIGHT
 Lopolight ApS
 Bakkegaardsvej 513
 DK-3050, Humlebaek
 Denmark
www.lopolight.com

This Drawing, and the information within, is the property of Lopolight ApS and may not be used in any form without express permission there from. Lopolight reserves the right to change this drawing and assumes no liability for the information communicated herein. Use of dimensions and other information in this drawing is at the users own risk.

Tel:(+45) 32 48 50 30 Fax:(+45) 32 48 50 32
 info@lopolight.com





Rev2: 09/05/2019 Adding text PRO Series version on the sheet JB and add Sheet IB.
 Rev1: 20/02/2019 Addition of sheet 301-009GB

**301-009ST 2nm double port sidelight, HM,
 on a 400-034 promount base, Cable Side**

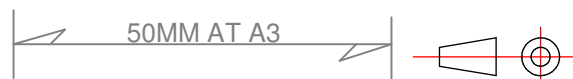
DRAWING NO.:	REV. NO.:	SIZE:	DRAWN BY:
301-009AB	2	A3	Sergio
SCALE:	TOLERANCES:	REVIEWED BY:	CREATION DATE:
1:1	DS/ISO 2768-f	PHC	24-04-2018
MATERIAL DESCRIPTION:			
EN 6082, , Acrylic (20µ) Silver anodized according to EN ISO 7599 (50µ) Black anodized according to MIL-A 8625F			

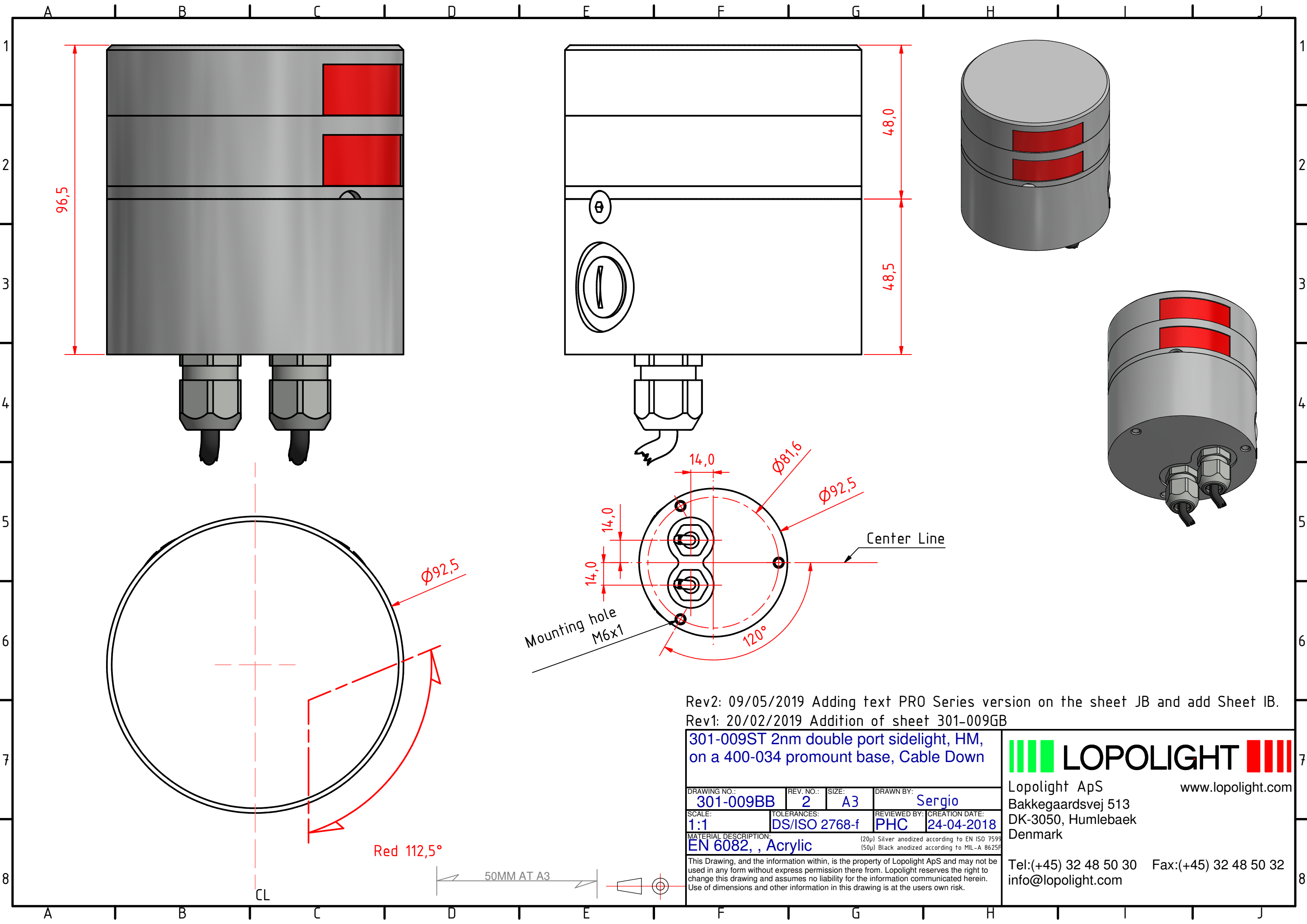
This Drawing, and the information within, is the property of Lopolight ApS and may not be used in any form without express permission there from. Lopolight reserves the right to change this drawing and assumes no liability for the information communicated herein. Use of dimensions and other information in this drawing is at the users own risk.



Lopolight ApS www.lopolight.com
 Bakkegaardsvej 513
 DK-3050, Humlebaek
 Denmark

Tel:(+45) 32 48 50 30 Fax:(+45) 32 48 50 32
 info@lopolight.com





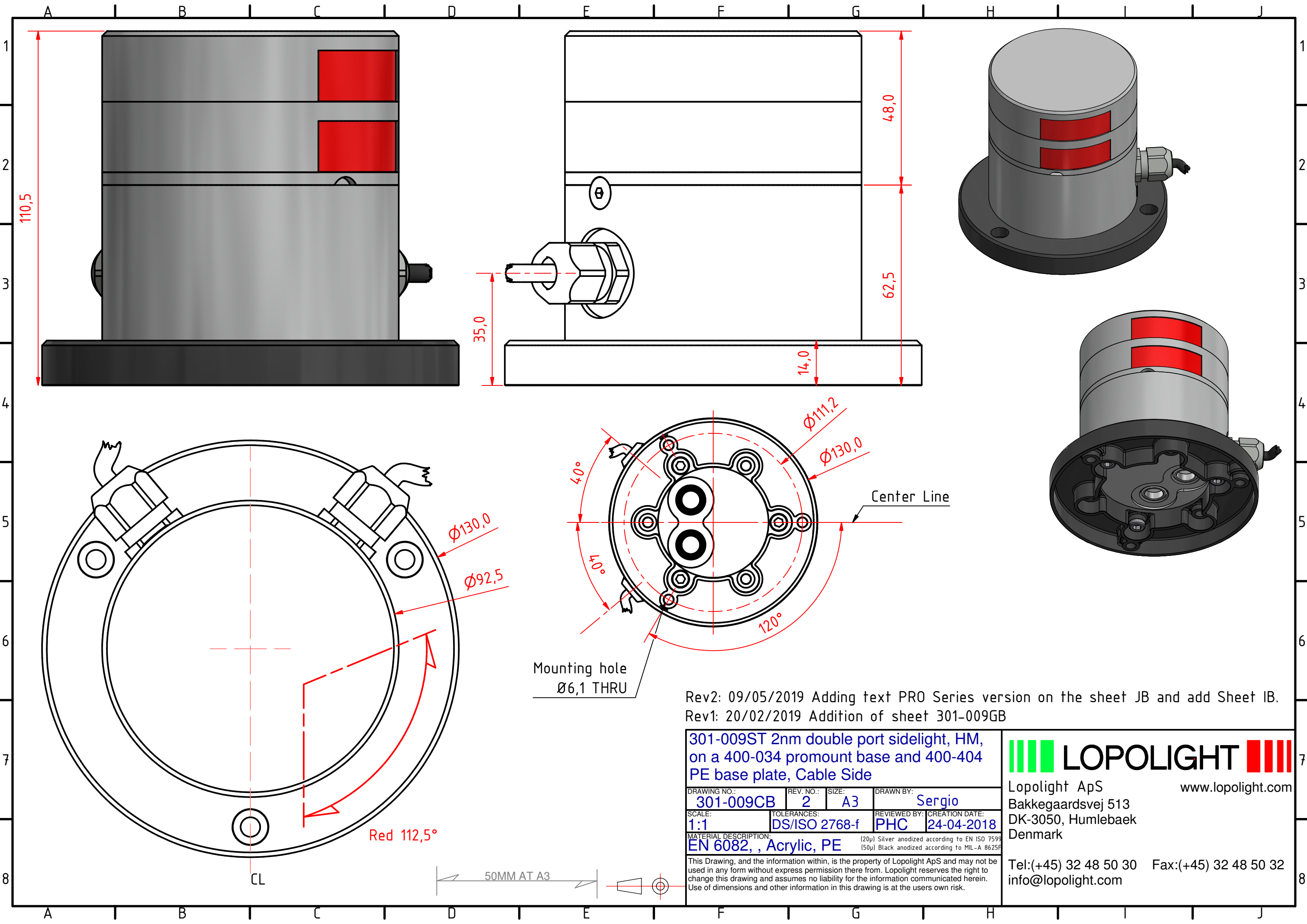
Rev2: 09/05/2019 Adding text PRO Series version on the sheet JB and add Sheet IB.
 Rev1: 20/02/2019 Addition of sheet 301-009GB

**301-009ST 2nm double port sidelight, HM,
 on a 400-034 promount base, Cable Down**

DRAWING NO.:	REV. NO.:	SIZE:	DRAWN BY:
301-009BB	2	A3	Sergio
SCALE:	TOLERANCES:	REVIEWED BY:	CREATION DATE:
1:1	DS/ISO 2768-f	PHC	24-04-2018
MATERIAL DESCRIPTION:			
EN 6082, , Acrylic (20µ) Silver anodized according to EN ISO 7599 (50µ) Black anodized according to MIL-A 8625F			

This Drawing, and the information within, is the property of Lopolight ApS and may not be used in any form without express permission there from. Lopolight reserves the right to change this drawing and assumes no liability for the information communicated herein. Use of dimensions and other information in this drawing is at the users own risk.

LOPOLIGHT
 Lopolight ApS
 Bakkegaardsvej 513
 DK-3050, Humlebaek
 Denmark
 www.lopolight.com
 Tel:(+45) 32 48 50 30 Fax:(+45) 32 48 50 32
 info@lopolight.com



Rev2: 09/05/2019 Adding text PRO Series version on the sheet JB and add Sheet IB.
 Rev1: 20/02/2019 Addition of sheet 301-009GB

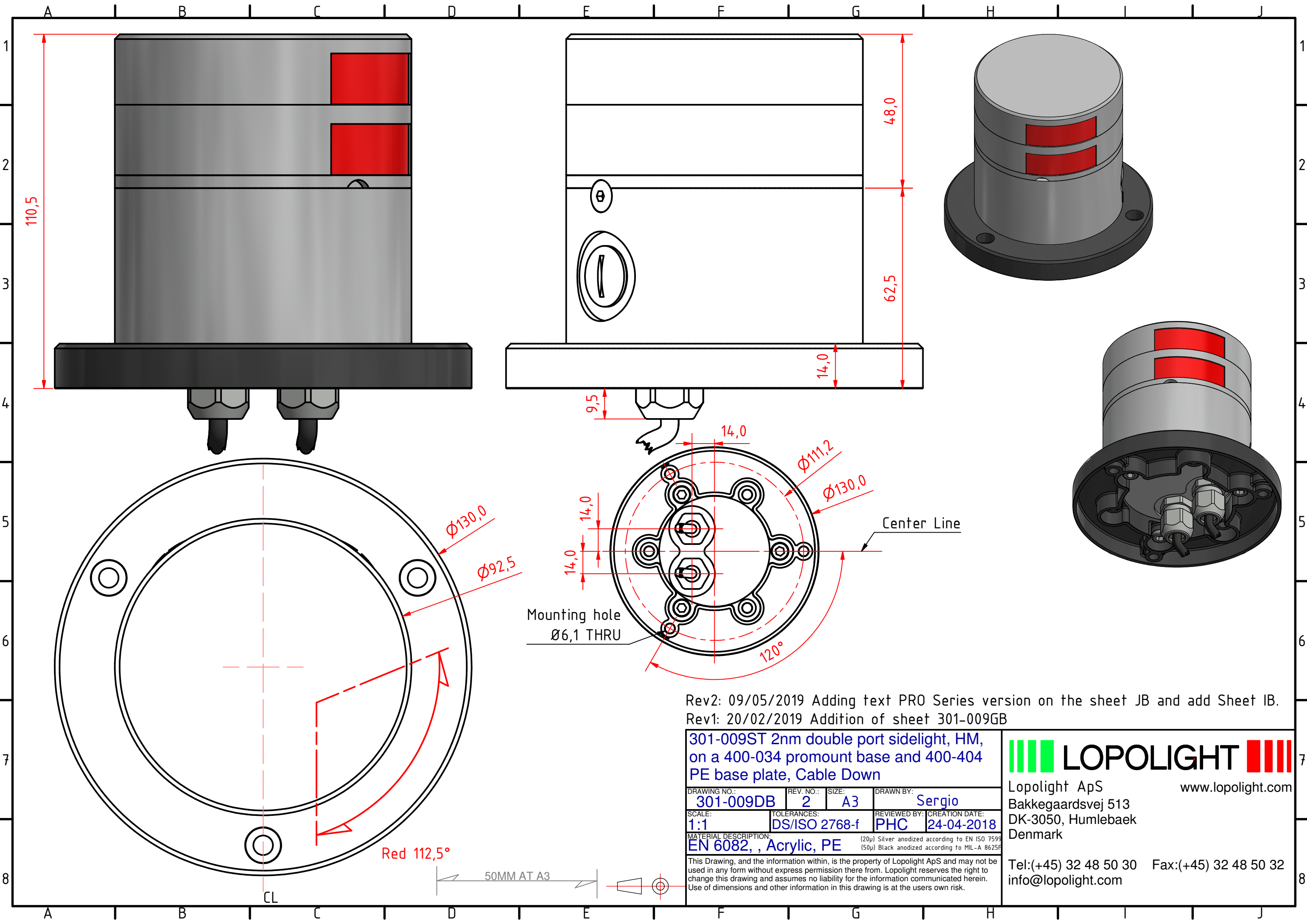
**301-009ST 2nm double port sidelight, HM,
 on a 400-034 promount base and 400-404
 PE base plate, Cable Side**

DRAWING NO.:	REV. NO.:	SIZE:	DRAWN BY:
301-009CB	2	A3	Sergio
SCALE:	TOLERANCES:	REVIEWED BY:	CREATION DATE:
1:1	DS/ISO 2768-f	PHC	24-04-2018

MATERIAL DESCRIPTION:
EN 6082, , Acrylic, PE (20µ) Silver anodized according to EN ISO 7599
 (50µ) Black anodized according to MIL-A 8625F

This Drawing, and the information within, is the property of Lopolight ApS and may not be used in any form without express permission there from. Lopolight reserves the right to change this drawing and assumes no liability for the information communicated herein. Use of dimensions and other information in this drawing is at the users own risk.

LOPOLIGHT
 Lopolight ApS
 Bakkegaardsvej 513
 DK-3050, Humlebaek
 Denmark
 www.lopolight.com
 Tel:(+45) 32 48 50 30 Fax:(+45) 32 48 50 32
 info@lopolight.com



Rev2: 09/05/2019 Adding text PRO Series version on the sheet JB and add Sheet IB.
 Rev1: 20/02/2019 Addition of sheet 301-009GB

**301-009ST 2nm double port sidelight, HM,
 on a 400-034 promount base and 400-404
 PE base plate, Cable Down**

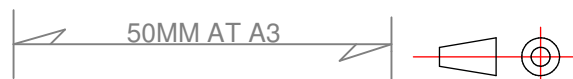
DRAWING NO.:	REV. NO.:	SIZE:	DRAWN BY:
301-009DB	2	A3	Sergio
SCALE:	TOLERANCES:	REVIEWED BY:	CREATION DATE:
1:1	DS/ISO 2768-f	PHC	24-04-2018
MATERIAL DESCRIPTION:			
EN 6082, , Acrylic, PE (20µ) Silver anodized according to EN ISO 7599 (50µ) Black anodized according to MIL-A 8625F			

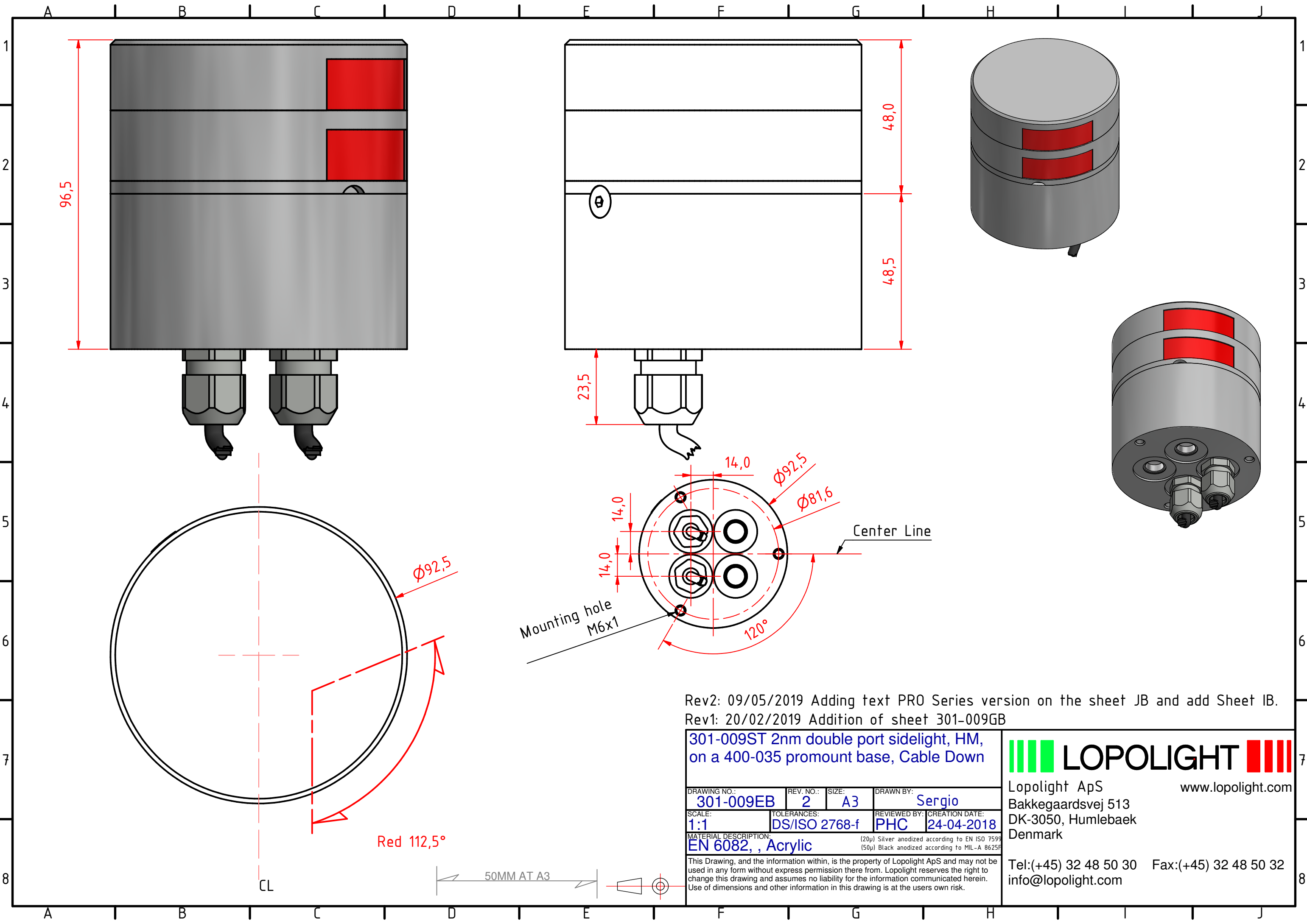


Lopolight ApS
 Bakkegaardsvej 513
 DK-3050, Humlebaek
 Denmark
www.lopolight.com

Tel:(+45) 32 48 50 30 Fax:(+45) 32 48 50 32
 info@lopolight.com

This Drawing, and the information within, is the property of Lopolight ApS and may not be used in any form without express permission there from. Lopolight reserves the right to change this drawing and assumes no liability for the information communicated herein. Use of dimensions and other information in this drawing is at the users own risk.





Rev2: 09/05/2019 Adding text PRO Series version on the sheet JB and add Sheet IB.
 Rev1: 20/02/2019 Addition of sheet 301-009GB

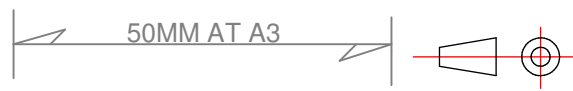
301-009ST 2nm double port sidelight, HM, on a 400-035 promount base, Cable Down

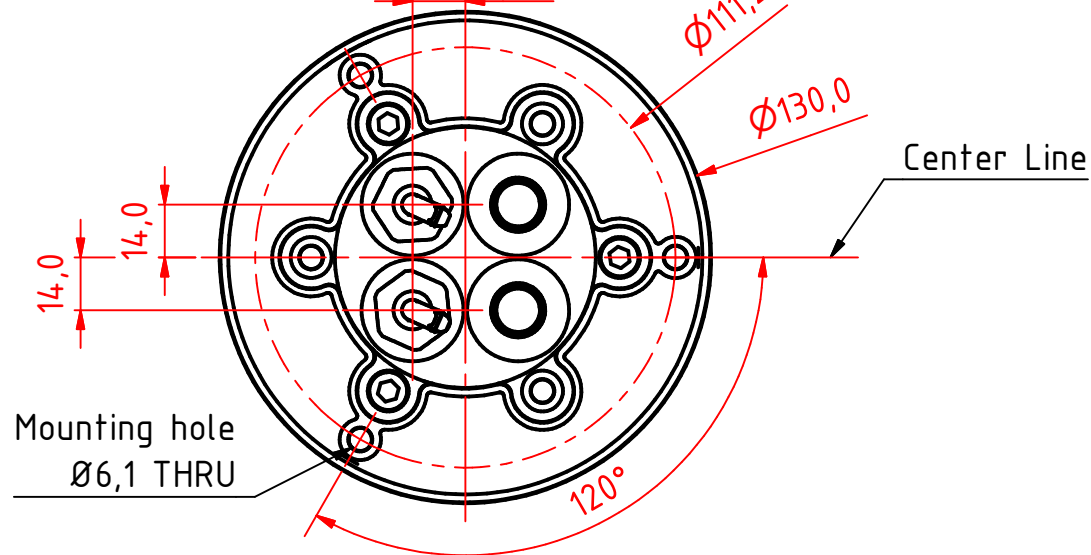
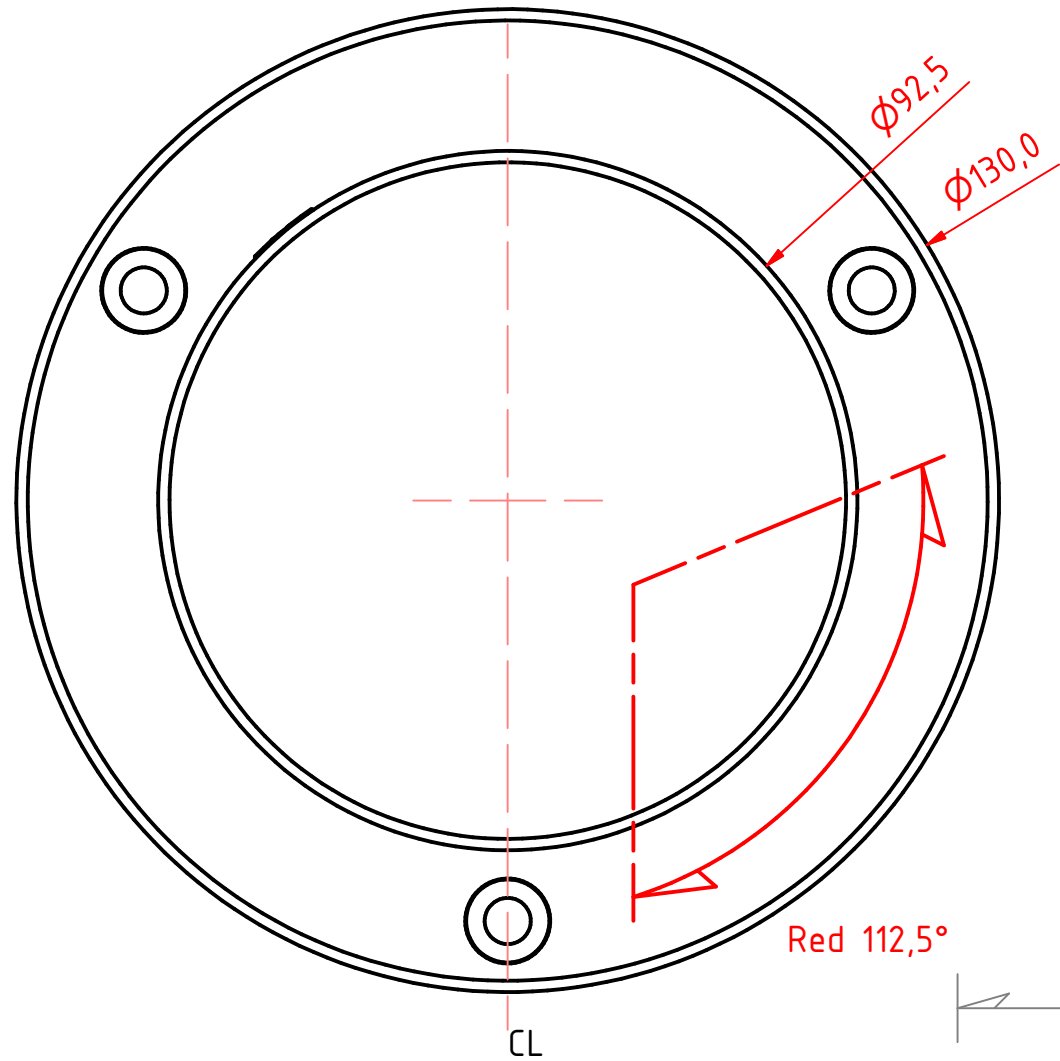
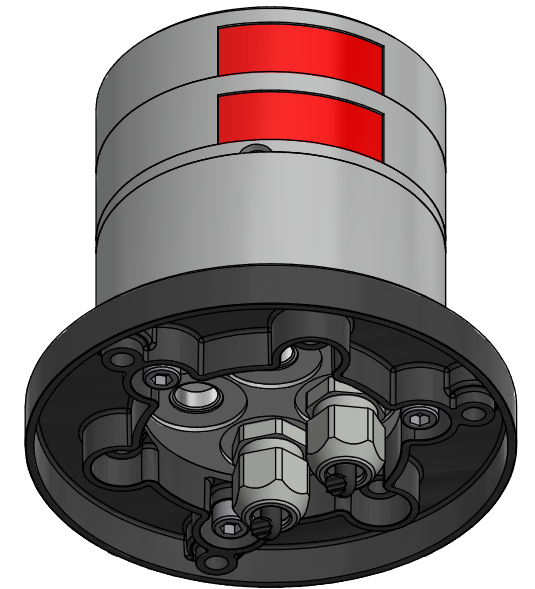
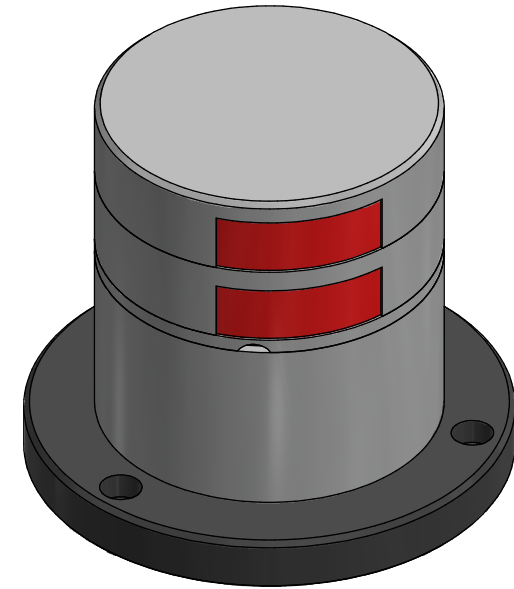
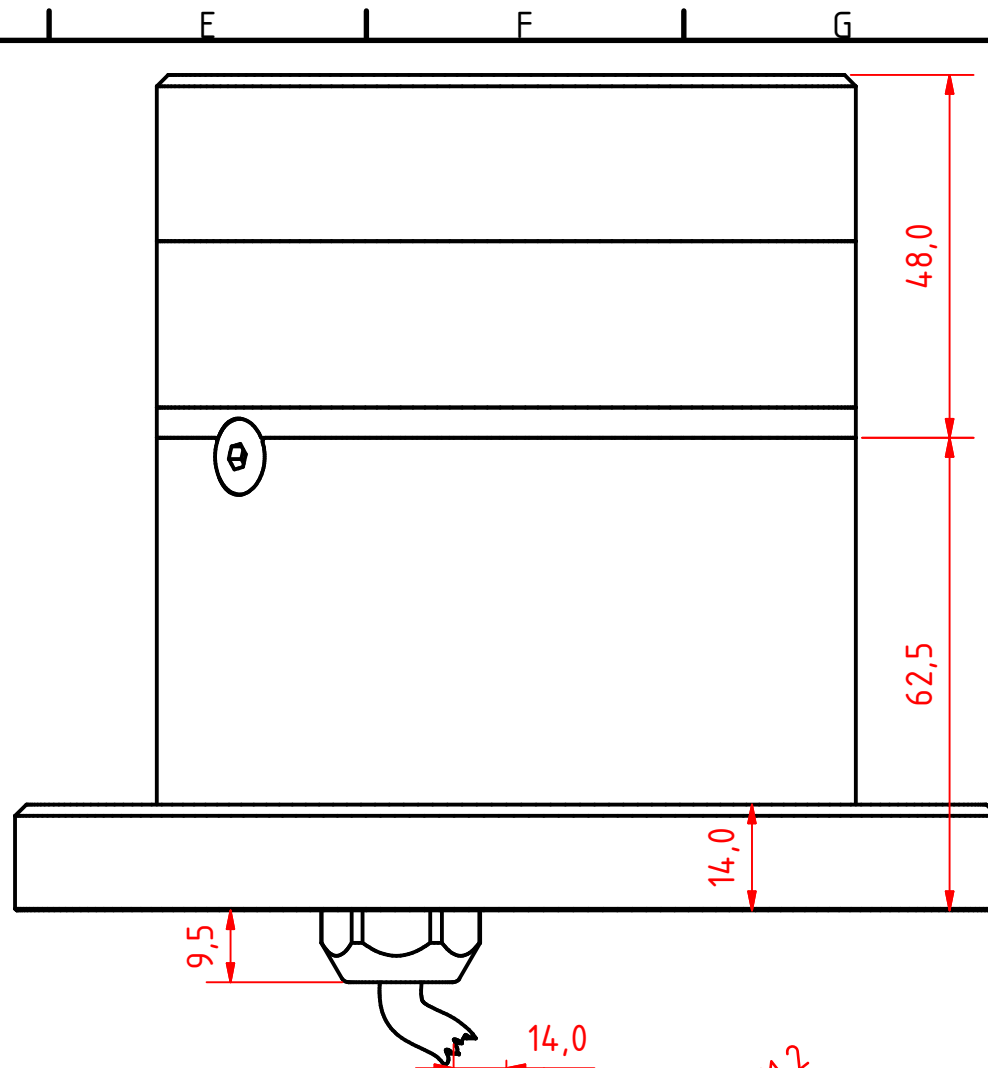
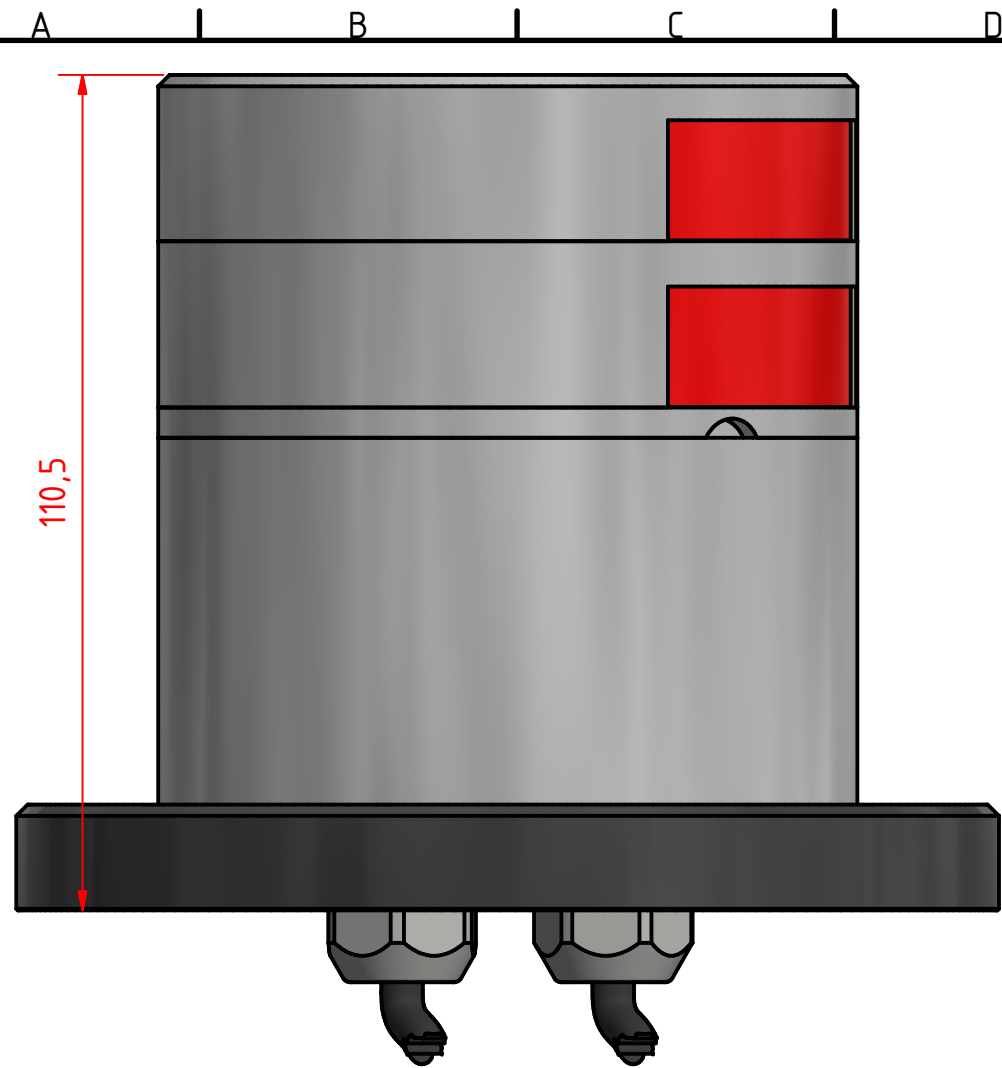
DRAWING NO.:	REV. NO.:	SIZE:	DRAWN BY:
301-009EB	2	A3	Sergio
SCALE:	TOLERANCES:	REVIEWED BY:	CREATION DATE:
1:1	DS/ISO 2768-f	PHC	24-04-2018
MATERIAL DESCRIPTION:			
EN 6082, , Acrylic (20µ) Silver anodized according to EN ISO 7599 (50µ) Black anodized according to MIL-A 8625F			

LOPOLIGHT
 Lopolight ApS
 Bakkegaardsvej 513
 DK-3050, Humlebaek
 Denmark
 www.lopolight.com

This Drawing, and the information within, is the property of Lopolight ApS and may not be used in any form without express permission there from. Lopolight reserves the right to change this drawing and assumes no liability for the information communicated herein. Use of dimensions and other information in this drawing is at the users own risk.

Tel:(+45) 32 48 50 30 Fax:(+45) 32 48 50 32
 info@lopolight.com





Rev2: 09/05/2019 Adding text PRO Series version on the sheet JB and add Sheet IB.
 Rev1: 20/02/2019 Addition of sheet 301-009GB

301-009ST 2nm double port sidelight, HM, on a 400-035 promount base and 400-404 PE base plate, Cable Down			
DRAWING NO.: 301-009FB	REV. NO.: 2	SIZE: A3	DRAWN BY: Sergio
SCALE: 1:1	TOLERANCES: DS/ISO 2768-f	REVIEWED BY: PHC	CREATION DATE: 24-04-2018
MATERIAL DESCRIPTION: EN 6082, , Acrylic, PE (20µ) Silver anodized according to EN ISO 7599 (50µ) Black anodized according to MIL-A 8625F			

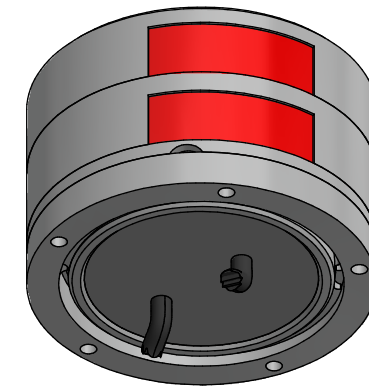
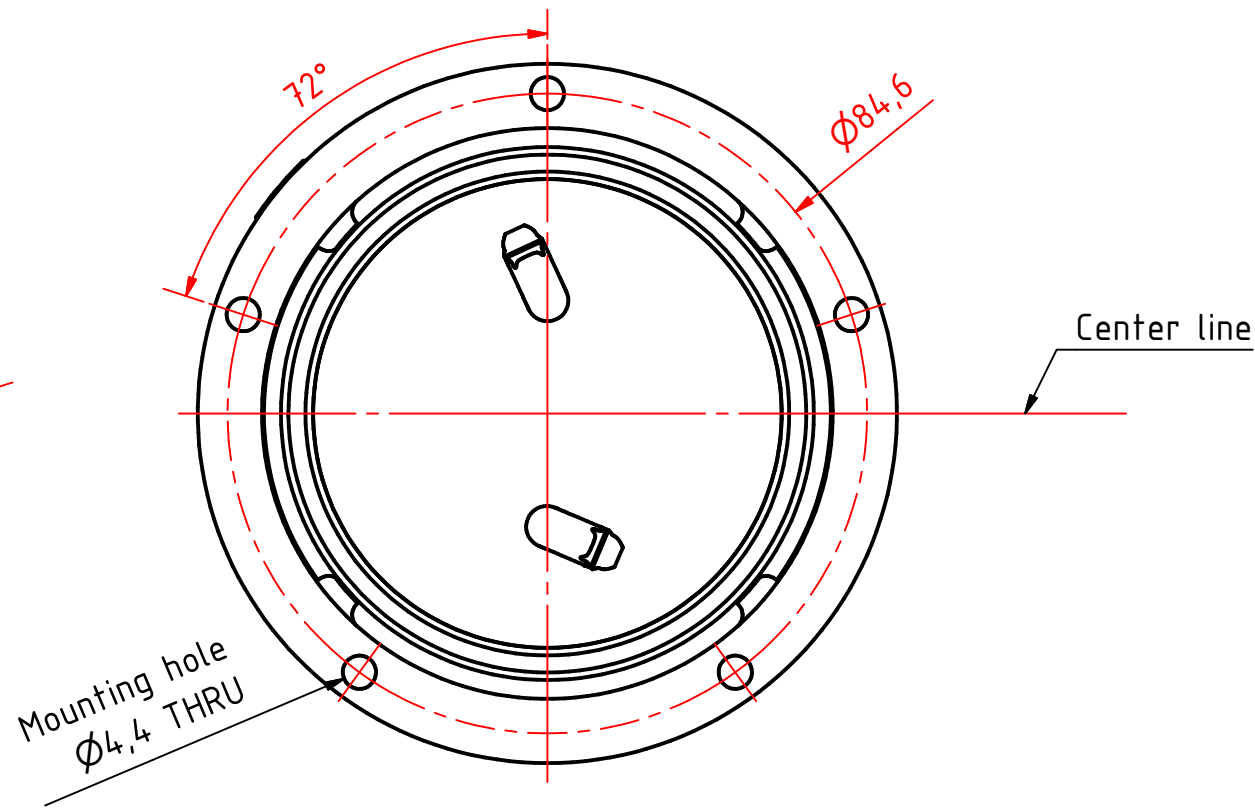
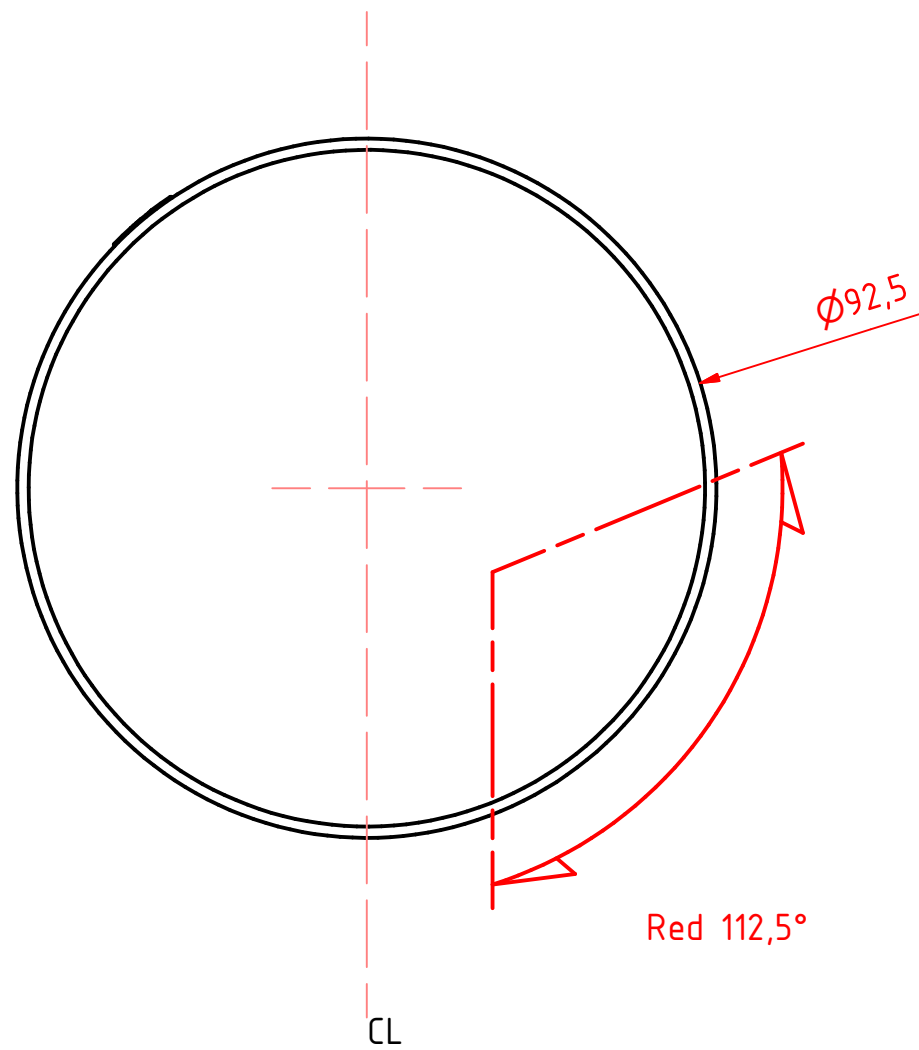
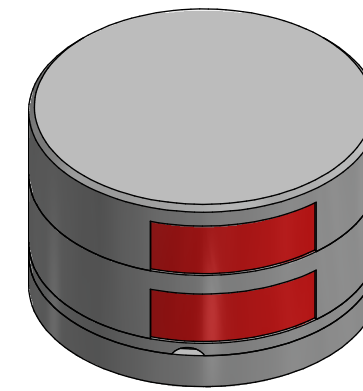
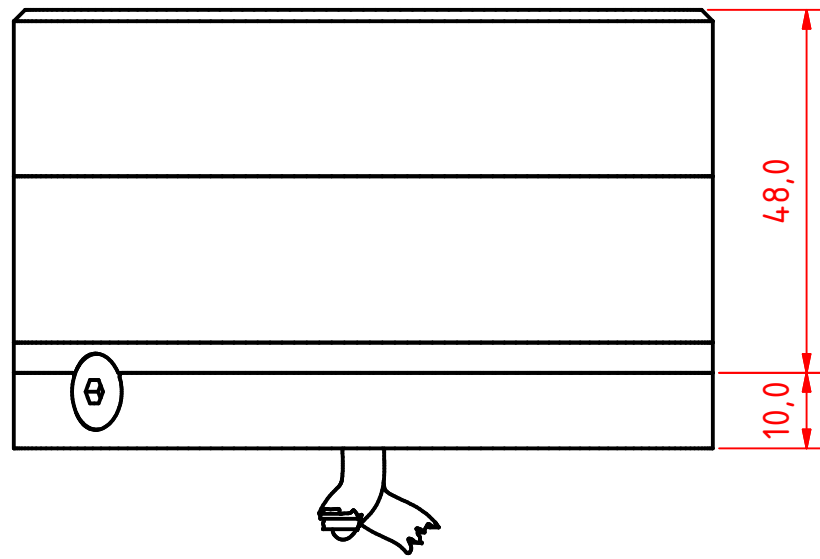
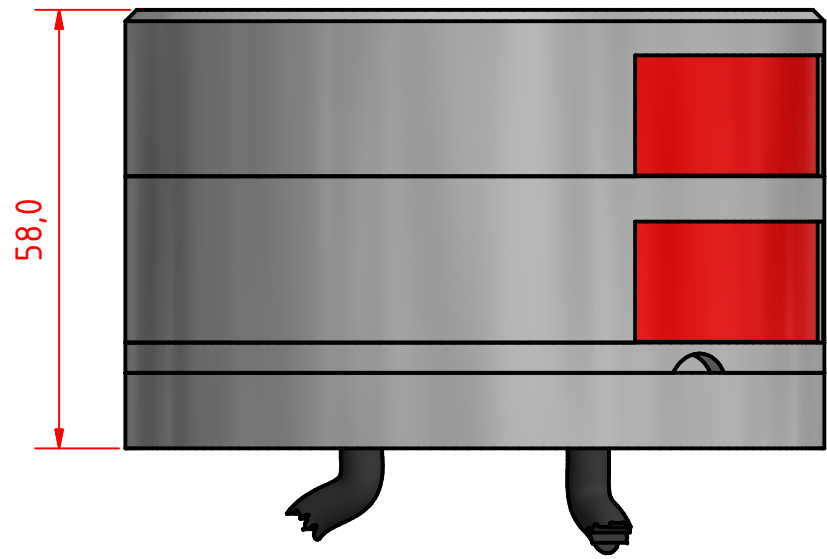
This Drawing, and the information within, is the property of Lopolight ApS and may not be used in any form without express permission there from. Lopolight reserves the right to change this drawing and assumes no liability for the information communicated herein. Use of dimensions and other information in this drawing is at the users own risk.



Lopolight ApS
 Bakkegaardsvej 513
 DK-3050, Humlebaek
 Denmark
www.lopolight.com

Tel:(+45) 32 48 50 30 Fax:(+45) 32 48 50 32
 info@lopolight.com





Rev2: 09/05/2019 Adding text PRO Series version on the sheet JB and add Sheet IB.
 Rev1: 20/02/2019 Addition of sheet 301-009GB

**301-009ST 2nm double port sidelight, HM,
 on a 400-036 Ultra Low profile base**

DRAWING NO.: 301-009IB	REV. NO.: 2	SIZE: A3	DRAWN BY: Sergio
SCALE: 1:1	TOLERANCES: DS/ISO 2768-f	REVIEWED BY: PHC	CREATION DATE: 24-04-2018

MATERIAL DESCRIPTION:
EN 6082, , Acrylic, PE (20µ) Silver anodized according to EN ISO 7599
 (50µ) Black anodized according to MIL-A 8625F

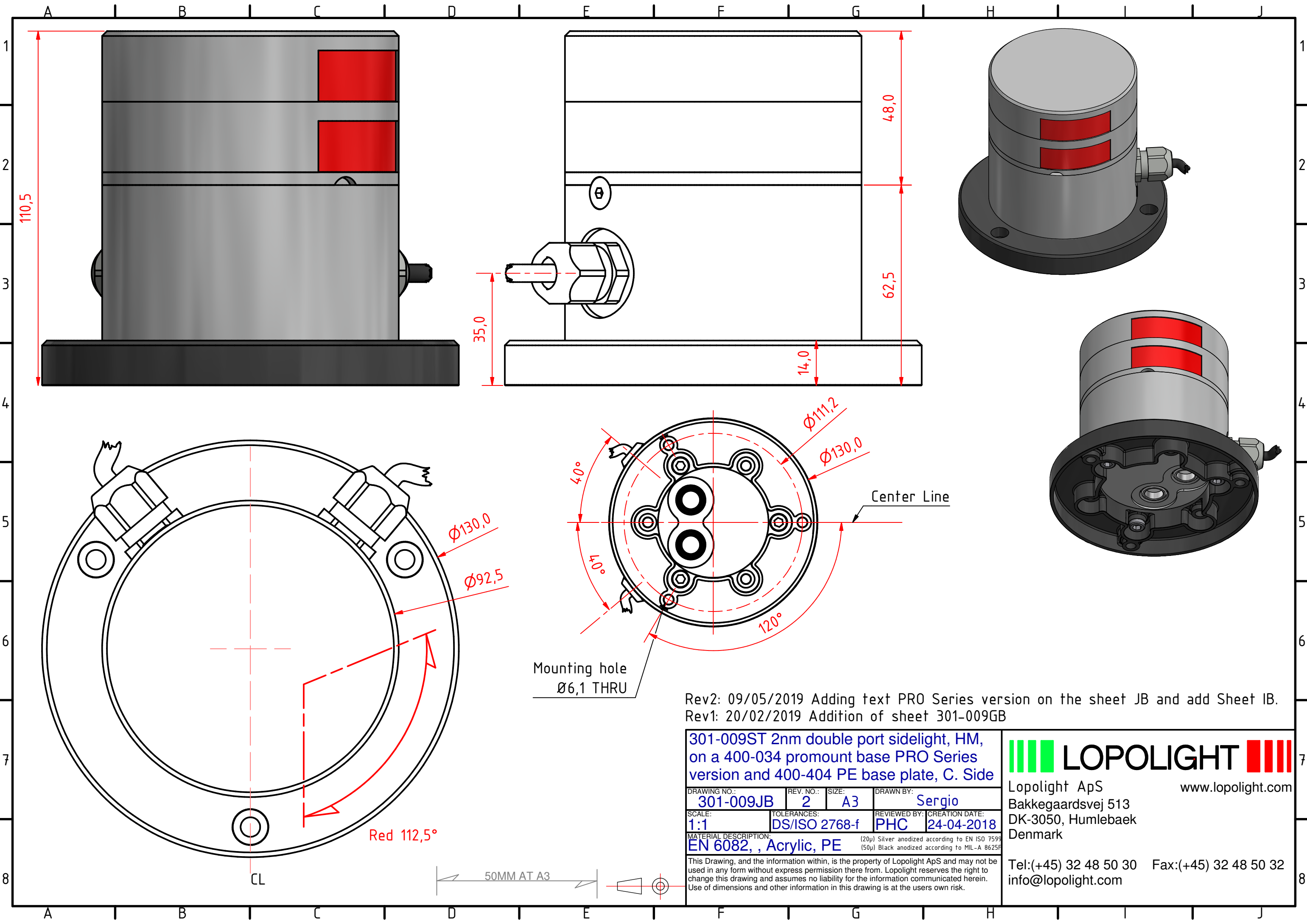
This Drawing, and the information within, is the property of Lopolight ApS and may not be used in any form without express permission there from. Lopolight reserves the right to change this drawing and assumes no liability for the information communicated herein. Use of dimensions and other information in this drawing is at the users own risk.



Lopolight ApS www.lopolight.com
 Bakkegaardsvej 513
 DK-3050, Humlebaek
 Denmark

Tel:(+45) 32 48 50 30 Fax:(+45) 32 48 50 32
 info@lopolight.com





Rev2: 09/05/2019 Adding text PRO Series version on the sheet JB and add Sheet IB.
 Rev1: 20/02/2019 Addition of sheet 301-009GB

301-009ST 2nm double port sidelight, HM, on a 400-034 promount base PRO Series version and 400-404 PE base plate, C. Side			
DRAWING NO.:	REV. NO.:	SIZE:	DRAWN BY:
301-009JB	2	A3	Sergio
SCALE:	TOLERANCES:	REVIEWED BY:	CREATION DATE:
1:1	DS/ISO 2768-f	PHC	24-04-2018
MATERIAL DESCRIPTION:			
EN 6082, , Acrylic, PE (20µ) Silver anodized according to EN ISO 7599 (50µ) Black anodized according to MIL-A 8625F			

LOPOLIGHT
 Lopolight ApS
 Bakkegaardsvej 513
 DK-3050, Humlebaek
 Denmark
 www.lopolight.com
 Tel:(+45) 32 48 50 30 Fax:(+45) 32 48 50 32
 info@lopolight.com

This Drawing, and the information within, is the property of Lopolight ApS and may not be used in any form without express permission there from. Lopolight reserves the right to change this drawing and assumes no liability for the information communicated herein. Use of dimensions and other information in this drawing is at the users own risk.

