

BLUE SEA SYSTEMS

Marine Electrical Products

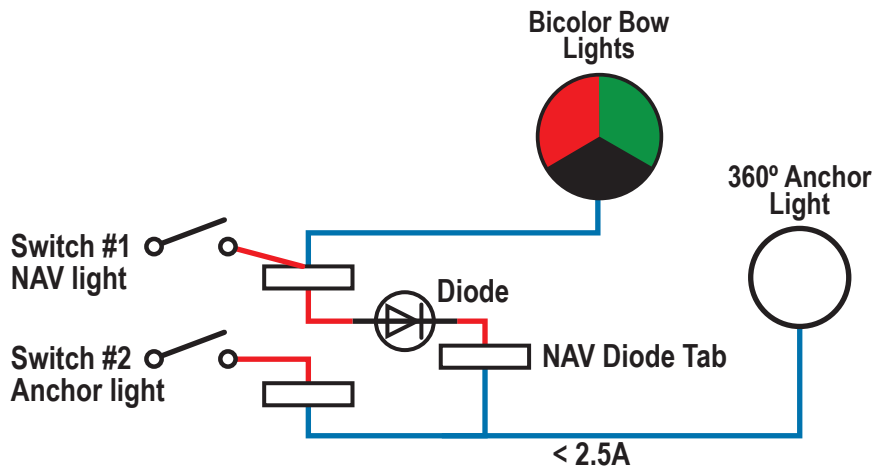
WeatherDeck™ Waterproof Fuse Panels 2 Positions PN 4302 / PN 4312

Blue Sea Systems' WeatherDeck™ Fuse Panels offer a means of providing power to a 360° Anchor Light when turning on Bicolor Bow Lights, while still allowing the 360° Anchor Light to be turned on by itself without also powering the Bicolor Bow Lights.

To take advantage of this feature, you'll need to use a 0.25" quick connect tab marked "NAV Diode", which can be found on the circuit board on the rear of the WeatherDeck™ Fuse Panel. There is a diode installed on the circuit board between the output of Switch #1 and this NAV Diode tab.

For wiring, follow the diagram below and these steps:

1. Connect the Bicolor Bow Lights to Switch #1.
2. Install a 16 AWG jumper wire between the "NAV Diode" tab and the output terminal of Switch #2.
3. Connect the 360° Anchor Light to Switch #2.



Note: Blue wires are connected at installation



425 Sequoia Drive
Bellingham, WA 98226 USA
p 360.738.8230
p 800.222.7617 USA and Canada Customer Service
f 360.734.4195
conductor@blueseas.com
www.blueseas.com