



SV27 technical specifications

The completely waterproof camera can be installed in any of the underwater light housings for steel, aluminum or fiberglass hulls. The camera is placed in the housing and fixed with a mounting kit. It offers broadcast quality pictures at 550 TVL color lines of resolution and is 12 VDC. The underwater images can be fed to any number of monitors or plasma screens through out the boat. All maintenance, like the underwater lights is from within the hull. This underwater camera is perfect for viewing the aquatic life, as well as offering safety and security benefits.

Power Supply:	12 volt d.c.
Resolution:	550 TVL color lines
Dimensions:	Thru Hull: Flange diameter: 3.15"/ 80mm Body length: 5.98"/152mm
Angular View:	64 degree
Available Transmission Modes:	NTSC and PAL A monitor with more than 500 TV lines is recommended.
Pricing available on request.	

NOTE: All information is subject to change without prior notice, please confirm details prior to ordering.



SV27 Underwater Camera



Introduction:

Congratulations on the purchase of your new underwater camera. Underwater Lights® USA, LLC takes pride in providing well designed, high quality and thoroughly tested products that allow you to "enhance your boating experience". This product can be installed in your vessel for remote viewing, security and safety.

General Operating Information:

The commercial grade camera used in this product will provide robust and reliable operation under normal operating conditions.

A single video output cable can be connected from the camera to most any television or remote monitor.

The camera can be operated while the vessel is underway.

Depending upon water clarity and lighting conditions, the camera can see up to 12 meters (40 feet).

General Safety Information:

This product is intended for use on fiberglass and wood hulled vessels.

Never try to install or remove product main body from vessel hull while the vessel is in the water (camera proper can be removed).

The main body must be electrically joined to the vessels grounding and cathodic protection system to prevent corrosion.

Always disconnect and lock-out power before working on this product.

The operating condition of all product components and electrical cabling should be visually inspected every six months.

Marine growth should be removed from the "viewport" glass using a soft brush for optimum camera performance.

Technical Specifications:

Camera = 550TVL resolution - Pyrex lense - 64° field of view - NTSC video output - Auto focus - Hermetically sealed body

Camera = Operating temperature -10°C (14°F) minimum to +50°C (122°F) maximum - Waterproof (IP67)

Thru hull fitting glass = Borosilicate glass - 9.5mm (0.38") thick - 41mm (1.61") diameter net aperture (viewport)

Thru hull fitting dimensions = 80mm (3.15") diameter x 146mm (5.75") long - 1102 grams (2.4 pounds) with camera installed

Thru hull fitting construction = Marine bronze - Black delrin

Camera power = 12VDC nominal (7-14VDC range) - 300mA nominal (1 Amp maximum)

Troubleshooting:

Please contact our technical support staff in Florida at 1-954-760-4447, Monday to Friday from 8:00 am to 5:00 pm EST.

Warranty:

Underwater Lights® USA, LLC warrants this product to be free from defects in workmanship and materials for a period of one year from the date of original purchase. Further, misuse, abuse, improper installation, neglect, improper shipping, damage caused by disasters such as fire, flood and lightning, unauthorized repair or modifications will void said warranty. Should your product prove defective during the warranty period, promptly contact Underwater Lights® USA, LLC for an RMA number and then return the product freight prepaid with the RMA number clearly marked on the outside of the shipping container.

Underwater Lights USA, LLC
3406 SW 26th Terrace, C-6/7
Fort Lauderdale, FL 33312 USA
Phone: 1-954-760-4447
Fax: 1-954-525-3261
Internet: www.seavision.com
Email: sales@seavision.com

DOC:020906-3

Underwater Lights Europe Sarl
16 rue Rouaze
06400 Cannes, France
Phone: 33-(0)-4-97-21-02-96
Fax: 33-(0)-4-97-21-10-96
Internet: www.seavision.com
Email: sales@seavisioneurope.com

SV27 Underwater Camera



Installation:

This product should be installed at least 152mm (6") below the water line by qualified/approved personnel using proper tools and materials. The minimum hull thickness is 10mm (0.4") and maximum is 51mm (2.0") with an access area of at least 100mm (3.9") left behind the product for camera removal.

After selecting a flat surface, cut a 60mm (2-3/8") diameter hole through the vessel hull in the desired location. Caution! Check that no electrical wiring, fuel lines, oil lines, water lines etc., pass near or through the intended hole location.

Loosen and remove numbers (5) and (6) from number (1). Carefully coat the Flanged Main Body (1) and inner surface of above cut hole with 3M 5200 Marine Adhesive or equivalent. Caution! Avoid placing adhesive on main body threads. Note: Exposed inner hole surface must be properly sealed before product installation to prevent potential water intrusion into the hull proper.

Holding the Flanged Main Body (1), push the light through hull hole, slide the Compression Ring (3) over the Flanged Main Body (1) and then tighten the Locking Ring (4) hand tight. Note: Ensure that the tips of all three screws (13) are NOT touching the Compression Ring (3). After the 3M 5200 Marine Adhesive is fully cured, tighten the three screws (13) to 9 Nm (7 ft/lb) using a 5mm allen wrench.

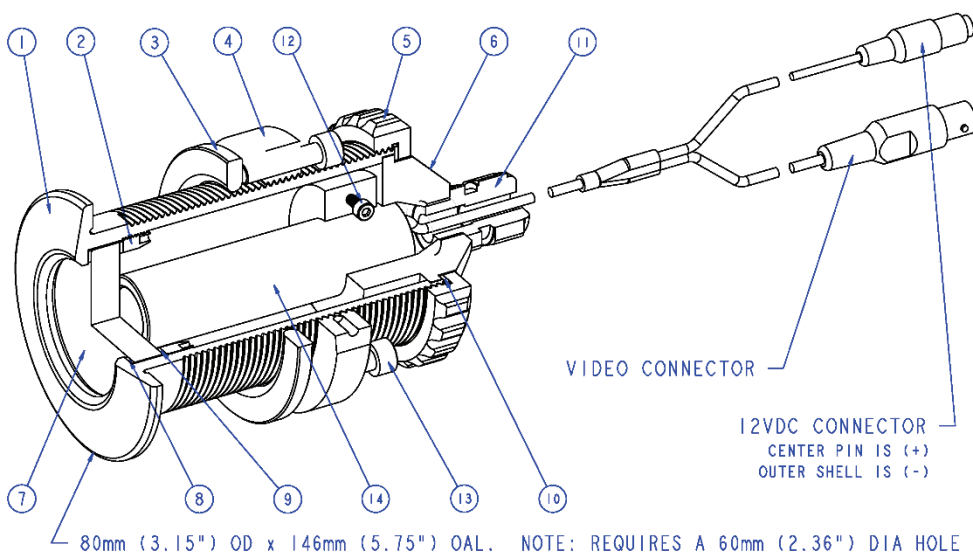
Check that Bullet Camera (14) is secure in Bullet Camera Clamp (6), orient and insert into Flanged Main Body (1) then hand tighten Projector Lid (5). Upon completing product installation, it is highly recommended that antifouling paint be applied to the water contacting surface of the Flanged Main Body (1) and a wire lead be connected from the Locking Ring (4) M4 x 0.7 tapped hole to the vessels grounding and cathodic protection system.

Route Bullet Camera (14) cable with video and 12VDC connectors to mating customer supplied components. Caution! Avoid making tight bends and/or passing camera cable over sharp edges/surfaces.

Serviceable Parts:

Disconnect Bullet Camera (14) cable connectors from mating components, unscrew Projector Lid (5), remove and loosen Bullet Camera Clamp (6) and Cable Strain Relief (11), then remove Bullet Camera (14) from Bullet Camera Clamp (6). Reverse said procedure to assemble product and hand tighten Projector Lid (5). Note! Ensure camera is properly oriented "up" and the camera lense is clean. Caution! Glass (7), Outer Glass Gasket (8) and Inner Glass Gasket (9) are not field serviceable on this light.

MODEL D11A99B99-13Z27Z99 12VDC		
BALLOON	PART	DESCRIPTION
1	27049	FLANGED MAIN BODY
2	27041	GLASS RETAINING COLLAR
3	27009	COMPRESSION RING
4	27012	LOCKING RING
5	27053	PROJECTOR LID
6	27052	BULLET CAMERA CLAMP
7	27044	GLASS
8	27045	OUTER GLASS GASKET
9	27046	INNER GLASS GASKET
10	27018	PROJECTOR LID GASKET
11	27021	CABLE STRAIN RELIEF
12	27024	M3 x 0.5 x 12LG SST SHCS
13	27022	M6 x 1.0 x 25LG SST SHCS
14	27036	BULLET CAMERA WITH CABLE



Underwater Lights USA, LLC
 3406 SW 26th Terrace, C-6/7
 Fort Lauderdale, FL 33312 USA
 Phone: 1-954-760-4447
 Fax: 1-954-525-3261
 Internet: www.seavision.com
 Email: sales@seavision.com

DOC:020906-3

Underwater Lights Europe Sarl
 16 rue Rouaze
 06400 Cannes, France
 Phone: 33-(0)-4-97-21-02-96
 Fax: 33-(0)-4-97-21-10-96
 Internet: www.seavision.com
 Email: sales@seavisioneurope.com

IMPORTANT NOTICE!



English:

All drawings of general management, design detail and invention are the property of Underwater Lights USA, LLC and may be used solely for work contracted or by express written permission of Underwater Lights USA, LLC. This applies to first hand use and material on loan to others. Any infringement may be liable to penalty and/or compensation without regard to the question of guilt. All drawings are subject to detail development during the course of construction, and all rights of reproduction are reserved. Any information provided by Underwater Lights USA, LLC in either hard copy or electronic format may be subject to change/s without prior purchaser, customer or end user notice.

French:

Tous les dessins, détails généraux, de conception et d'invention sont la propriété de Underwater Lights USA, LLC et ne peuvent être utilisés que pour des travaux sous contrat ou avec l'autorisation écrite expresse de Underwater Lights USA, LLC. Ceci s'applique à la fois à la première utilisation et au matériel emprunté ou visualisé par des tiers. Toute infraction peut faire l'objet de sanctions et / ou d'une indemnisation sans qu'il soit nécessaire d'établir la preuve de culpabilité. Tous les dessins font l'objet de développements détaillés pendant la construction et tous les droits de reproduction sont réservés. Les informations fournies par Underwater Lights USA, LLC, en version papier ou électronique, peuvent être sujettes à modification(s) sans notification préalable à l'acheteur, au client ou à l'utilisateur final.

Italian:

Tutti i disegni, generali, dettagli di progettazione e di invenzione sono di proprietà della Underwater Lights USA, LLC e possono essere utilizzati esclusivamente per il lavoro contratto o mediante espressa autorizzazione scritta della Underwater Lights USA, LLC. Ciò vale sia per la prima utilizzazione sia per il materiale in prestito o visione a terzi. Qualsiasi infrazione può essere soggetta a sanzioni e/o indennizzi senza considerare la questione del senso di colpa. Tutti i disegni sono soggetti a sviluppo dettagliato durante la costruzione e sono riservati tutti i diritti di riproduzione. Le informazioni fornite dalla Underwater Lights USA, LLC, in copia cartacea o elettronica, possono essere soggette a modifica/modifiche senza preavviso all'acquirente, al cliente o all'utente finale.

Spanish:

Todos los dibujos, detalles de diseño y creación son propiedad de Underwater Lights USA, LLC y pueden ser utilizados únicamente para trabajos relacionados o a través de autorización escrita de Underwater Lights USA, LLC. Esto aplica a utilizarlos de primera mano o a material prestado a otros. Cualquier violación de estos términos puede ser penalizada y/o una compensación puede ser requerida sin cuestionar la culpabilidad. Todos los dibujos están sujetos a ser desarrollados en detalle durante el transcurso de la construcción y todos los derechos de reproducción son reservados. Toda la información proporcionada por Underwater Lights USA, LLC tanto en forma impresa como digital está sujeta a cambios en cualquier momento sin notificarle al comprador, cliente o usuario final.