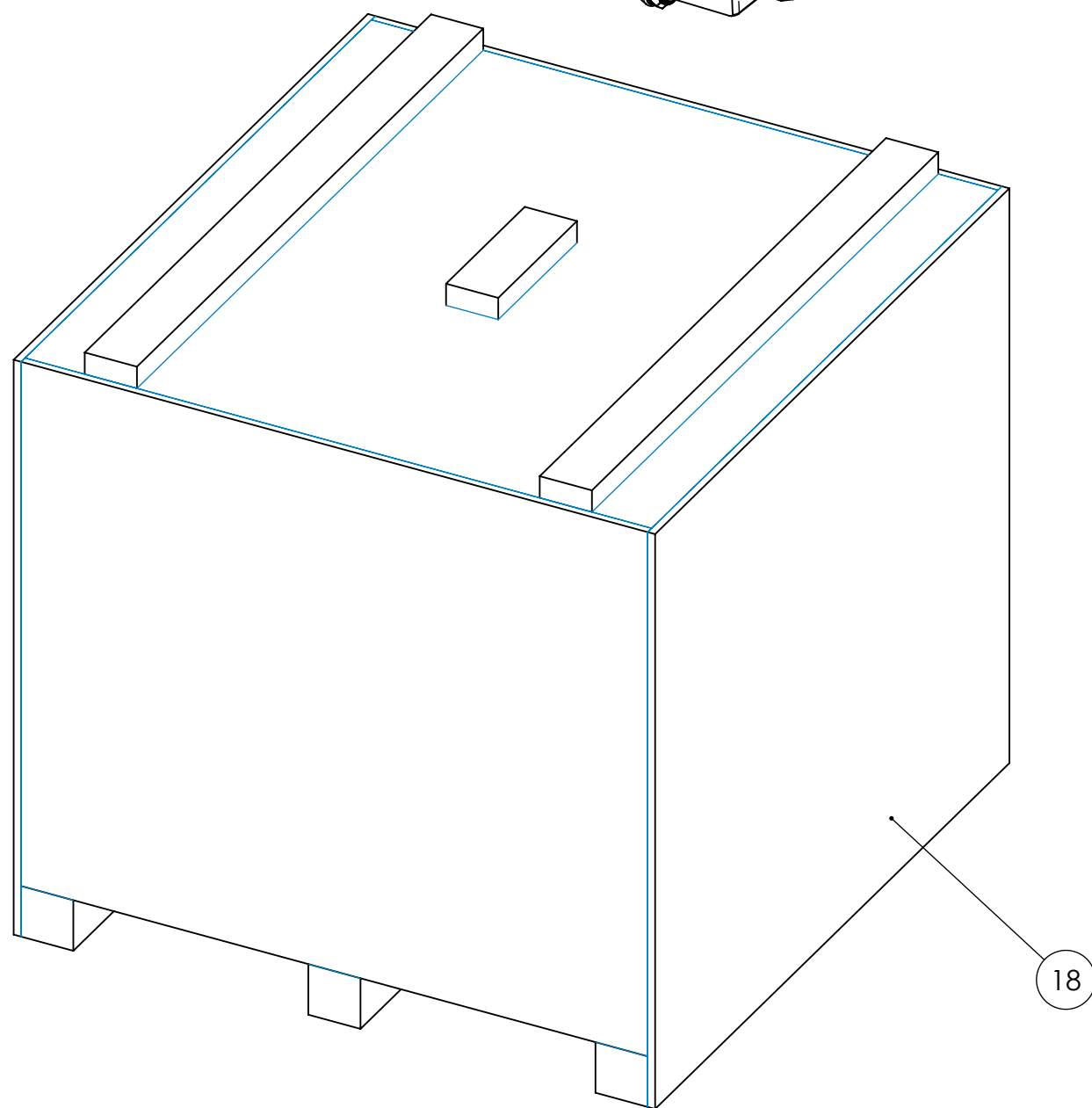
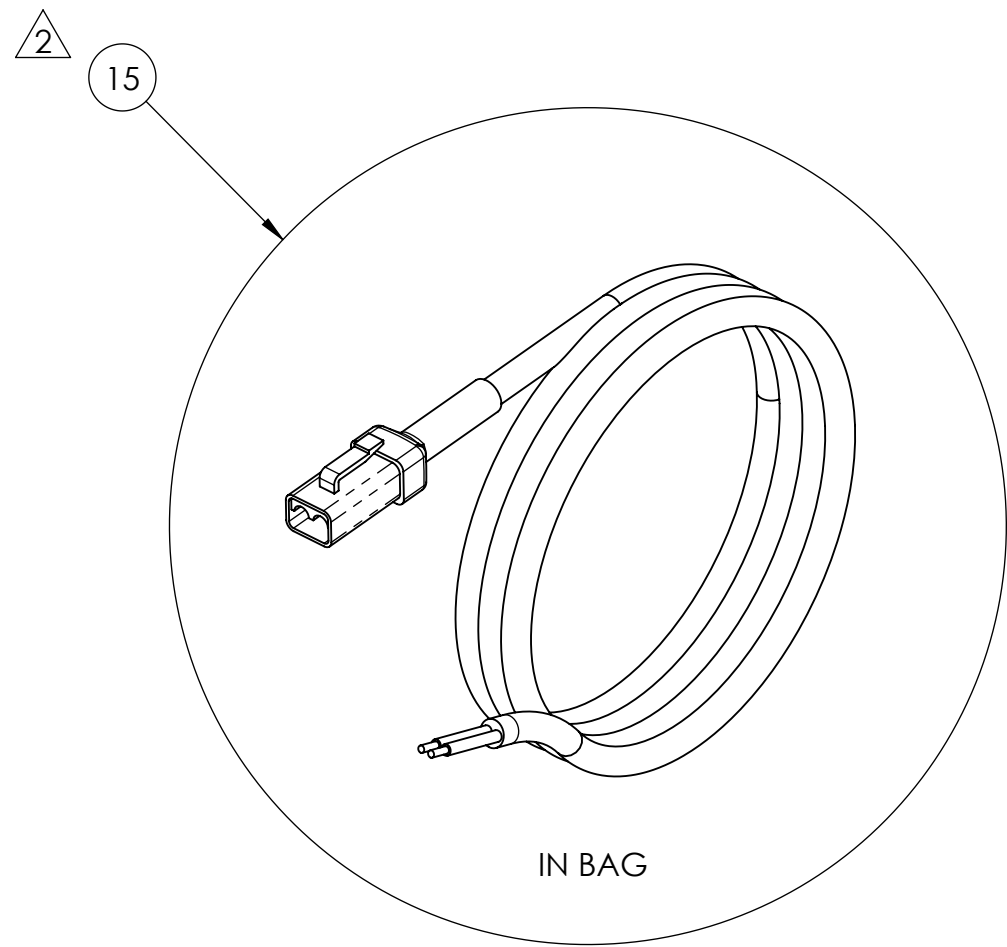
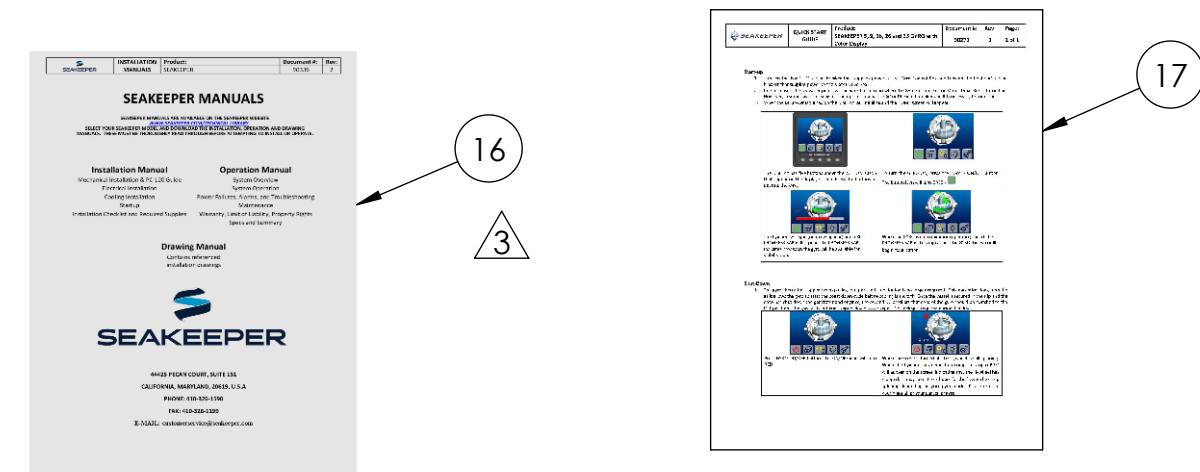
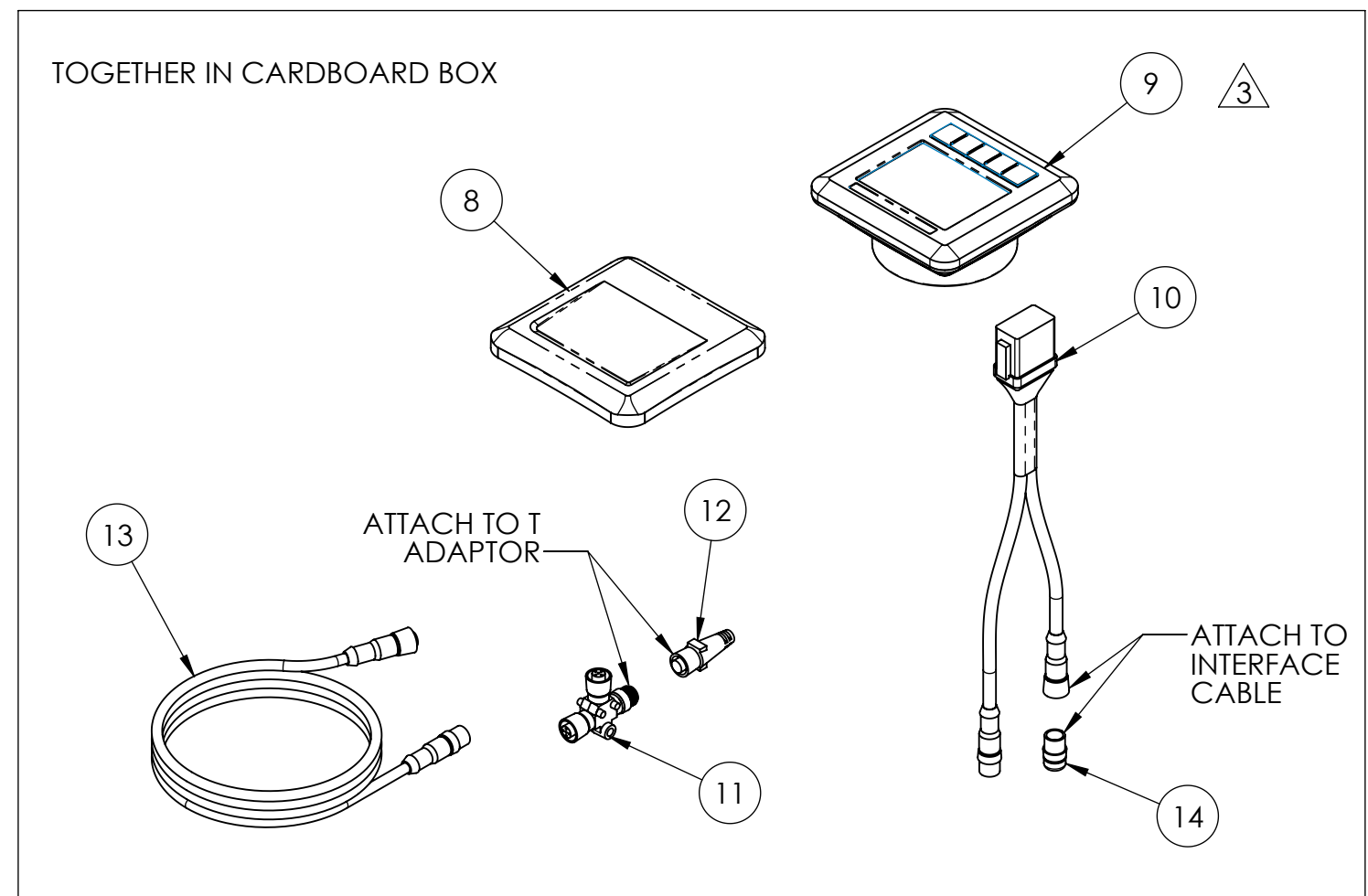
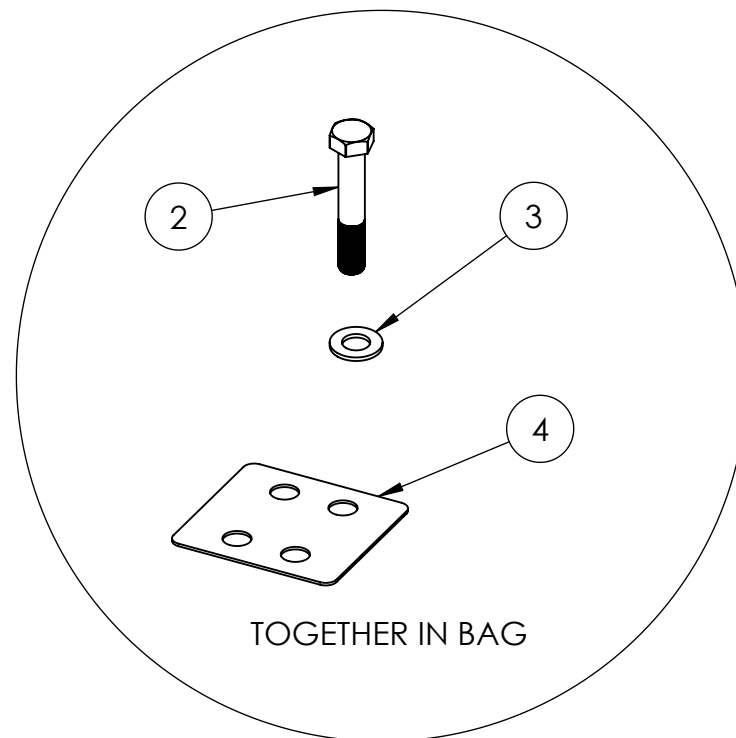
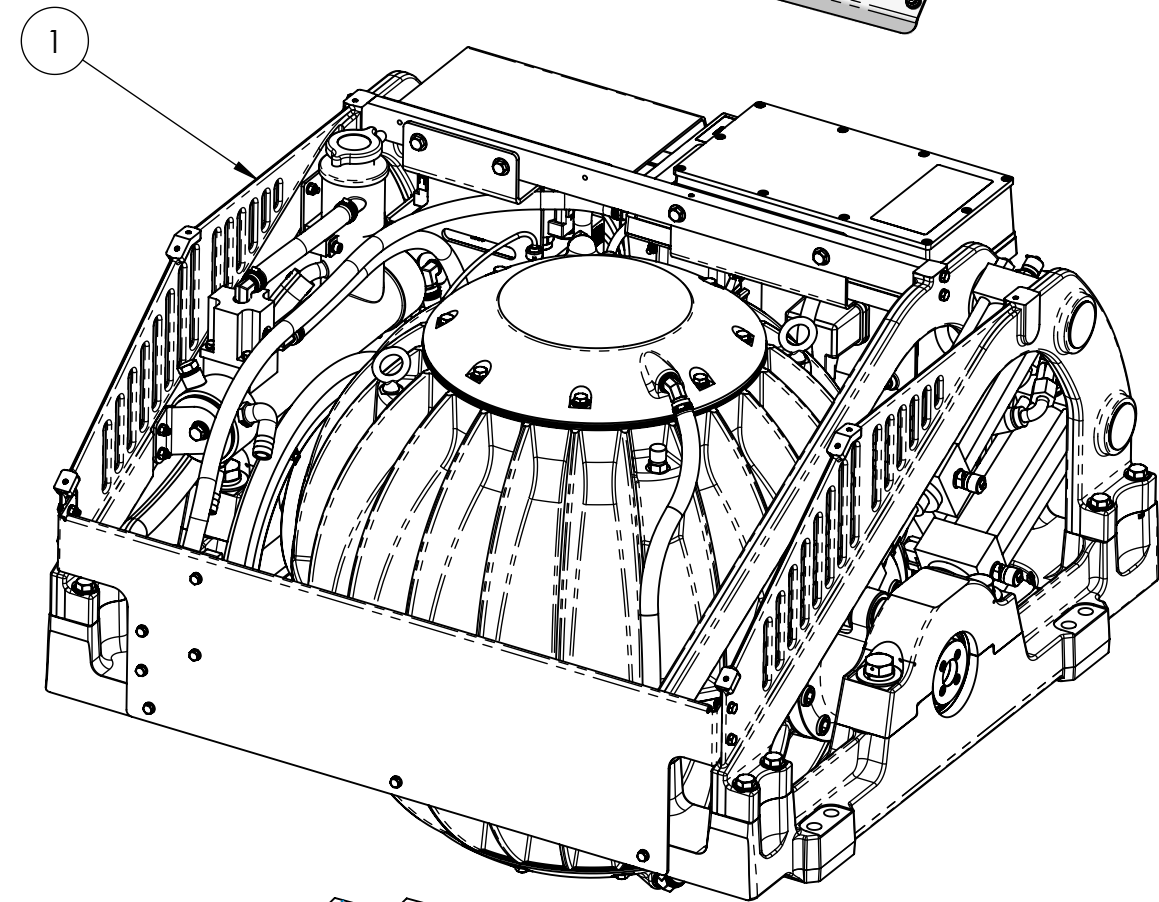
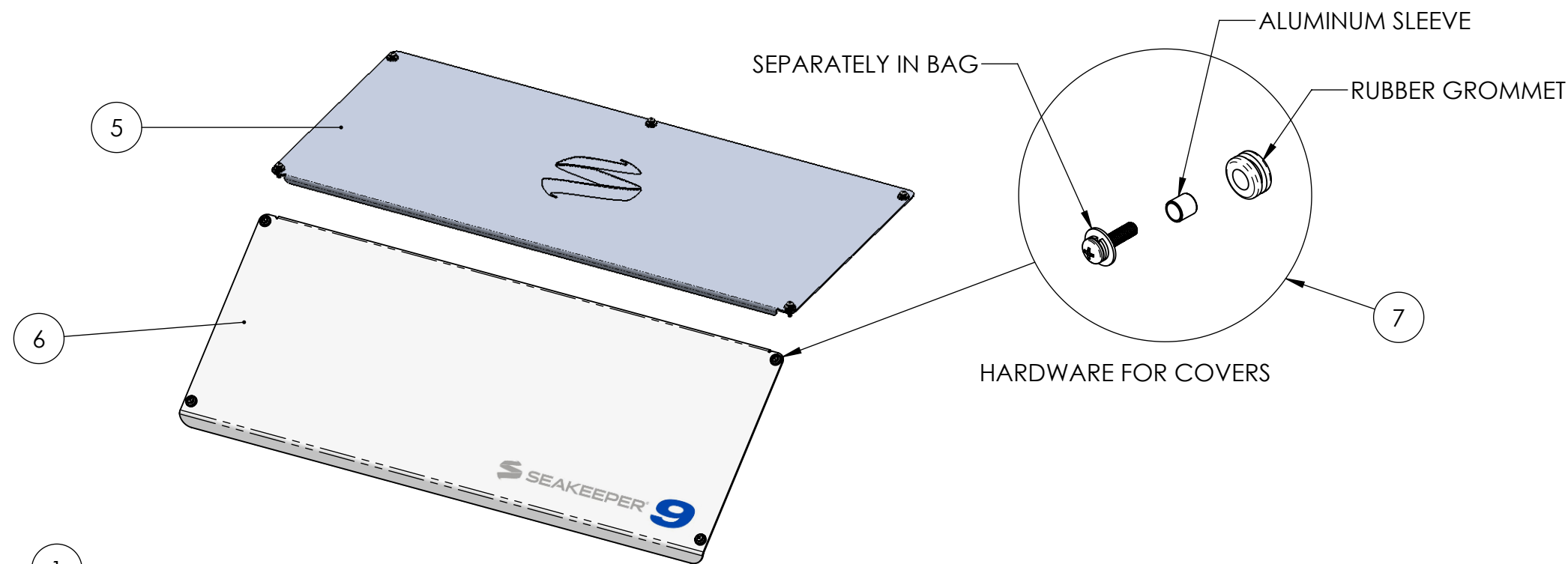


**ATTENTION: BEFORE REMOVING GYRO, USE THIS DRAWING AS A CHECKLIST TO ENSURE ALL NECESSARY ITEMS ARE PRESENT WITHIN THE SHIPPING CRATE. (SOME ITEMS COULD BE PACKED UNDERNEATH GYRO)**

REV NO.	ECN NO.	ZONE	DESCRIPTION	DATE	APPRVD.
1	0174		RELEASED FOR PRODUCTION	5/14/2014	RSK
2	0204		REPLACED POWER CABLE CONNECTOR WITH PRE-ASSEMBLED CABLE, ADDED QUICKSTART GUIDE	7/23/2014	RSK
3	0272 0306		UPGRADED DISPLAY CONTROLLER AND SUNCOVER REPLACED MANUALS WITH ELECTRONIC DOCUMENT	3/9/2015	RSK
4	0323		SEAKEEPER LOGO CHANGE	12/3/2015	SAC



ITEM NO.	DESCRIPTION	QTY.	NOTES
1	SEAKEEPER GYRO, MODEL 9	1	
2	HEX HEAD CAP SCREWS, 14mm-2.0 X 80mm LG.	16	
3	FLAT WASHERS, 14mm	16	
4	ISOLATION GASKETS	4	
5	TOP COVER WITH ENGRAVED LOGO	1	
6	FACE COVER WITH COLORED GRAPHICS	1	
7	COVER HARDWARE	9	SCREWS ONLY IN BAG
8	DISPLAY SUN COVER	1	
9	GYRO CONTROLLER DISPLAY	1	
10	DISPLAY INTERFACE CABLE	1	
11	CABLE T ADAPTOR	1	
12	CABLE TERMINATOR, FEMALE	1	THREADED IN PLACE
13	25 METER CABLE, GYRO TO DISPLAY	1	
14	AMPHENOL LTW PLASTIC CAP, MALE	1	THREADED IN PLACE
15	GYRO DC INPUT POWER CABLE ASSEMBLY	1	
16	SEAKEEPER ELECTRONIC MANUAL DOCUMENT	1	
17	QUICK START GUIDE	1	
18	SEAKEEPER 9 SHIPPING CRATE	1	

**PROPRIETARY AND CONFIDENTIAL**  
THE INFORMATION CONTAINED IN THIS DRAWING IS THE SOLE PROPERTY OF SEAKEEPER INCORPORATED. ANY REPRODUCTION IN PART OR AS A WHOLE WITHOUT THE WRITTEN PERMISSION OF SEAKEEPER IS PROHIBITED.

**SEAKEEPER**  
Seakeeper Inc. 44425 Pecan Court, Suite 151 California, MD 20619

NAME: **SEAKEEPER 9 GYRO HARDWARE SCOPE OF SUPPLY**

WEIGHT - LBS: ---  
MATERIAL: ---  
DRAWN: SAC  
ENG APPR: SAC  
PROD APPR: ---  
DATE: 08APR14

DWG NUMBER: **90221**  
REV. NO. SHEET NO.: **4** 1 OF 1

ITEMS NOT SHOWN TO SCALE, SOME ITEMS MAY APPEAR LARGER THAN NORMAL