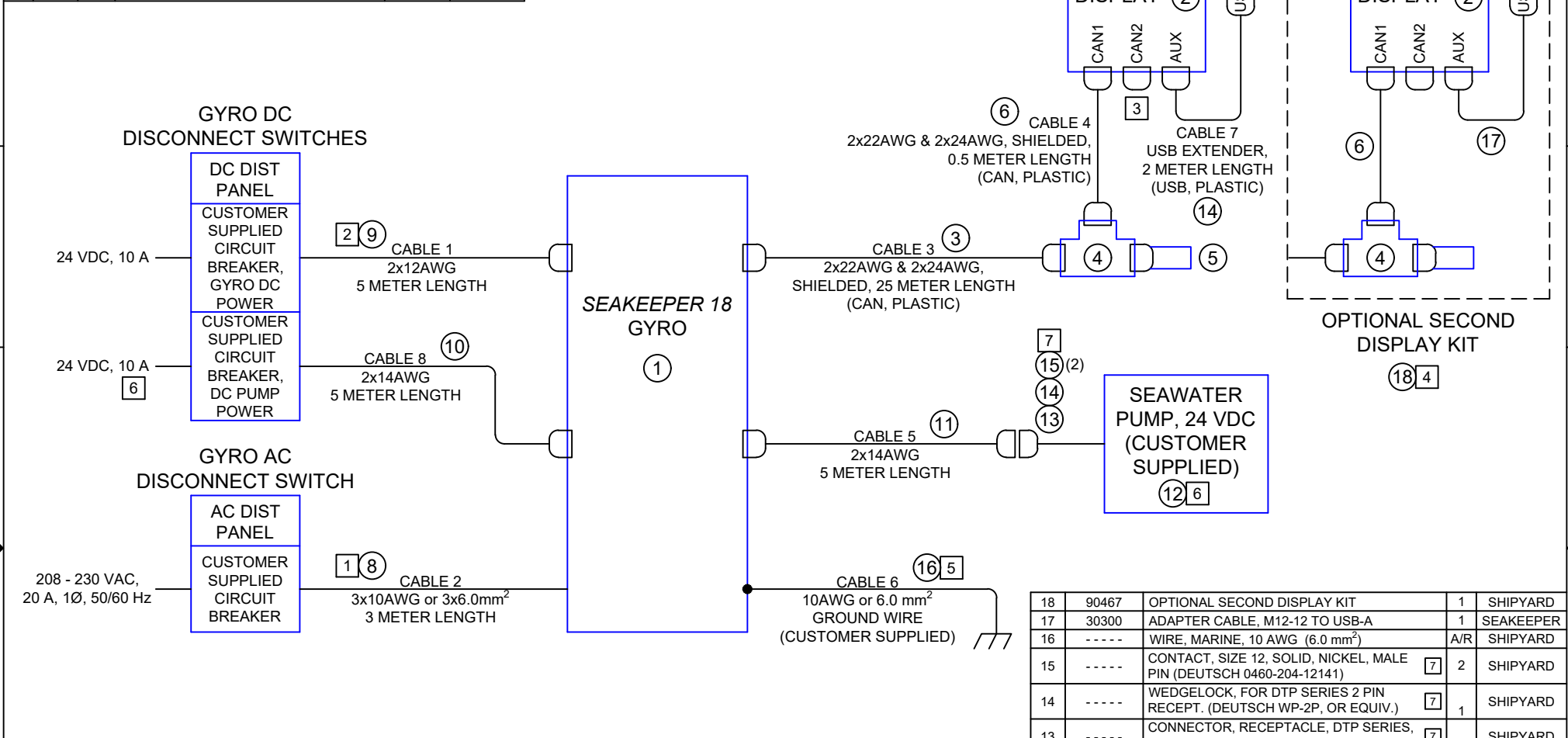


REVISIONS					
REV	ECN NO.	ZONE	DESCRIPTION	DATE	APPROVED
1	0757		1. INITIAL RELEASE.	W. GARZON	22 NOV 2019



NOTES:

- [1] CABLE PROVIDED TO CONNECT THE AC INPUT POWER (ITEM 8) IS SUPPLIED AS LENGTH 3m. THE LOCATION CHOSEN FOR POWER DISTRIBUTION SHOULD TAKE THIS INTO CONSIDERATION.
- [2] CABLES PROVIDED TO CONNECT THE DC INPUT & OUTPUT POWER (ITEMS 9-11) ARE SUPPLIED AS LENGTH 5m. THE LOCATION CHOSEN FOR POWER DISTRIBUTION SHOULD TAKE THIS INTO CONSIDERATION.
- [3] CAN2 CONNECTOR ON DISPLAY IS FOR NMEA 2000 CONNECTION TO SEAKEEPER COMPATIBLE MULTI-FUNCTION DISPLAY.
- [4] WHEN 2nd DISPLAY IS INSTALLED, CONNECT 2nd CAN CABLE TO 1st TEE AND MOVE TERMINATOR TO END OF 2nd TEE.
- [5] CONNECT 10 AWG (6mm²) PE CONDUCTOR TO VESSEL GROUNDING BUS TO COMPLY WITH EN/IEC 60204-1 CLAUSE 6.3.3 AND ABYC E-11.5.4.
- [6] CUSTOMER SUPPLIED OVER-CURRENT PROTECTION MUST BE SIZED FOR DC SEAWATER PUMP SELECTED.
- [7] CONNECTOR PARTS, ITEMS 13-15, FOR DC SEAWATER PUMP, ITEM 12, MUST MATE WITH PLUG ON CABLE 5, ITEM 11. PART NUMBERS SHOWN ON ITEMS 13-15 MAY BE SUBSTITUTED WITH EQUIVALENT PARTS.

18	90467	OPTIONAL SECOND DISPLAY KIT	1	SHIPYARD	
17	30300	ADAPTER CABLE, M12-12 TO USB-A	1	SEAKEEPER	
16	-----	WIRE, MARINE, 10 AWG (6.0 mm ²)	A/R	SHIPYARD	
15	-----	CONTACT, SIZE 12, SOLID, NICKEL, MALE PIN (DEUTSCH 0460-204-12141)	[7]	2	SHIPYARD
14	-----	WEDGELOCK, FOR DTP SERIES 2 PIN RECEPT. (DEUTSCH WP-2P, OR EQUIV.)	[7]	1	SHIPYARD
13	-----	CONNECTOR, RECEPTACLE, DTP SERIES, 2 PIN (DEUTSCH DTP04-2P, OR EQUIV.)	[7]	1	SHIPYARD
12	30322	SEAWATER PUMP, 24 VDC, 4-8 GPM	[6]	1	SHIPYARD
11	20455	CABLE, MARINE, DC, 2 X 14AWG, 5m, SW OUT	1	SEAKEEPER	
10	20454	CABLE, MARINE, DC, 2 X 14AWG, 5m, SW IN	1	SEAKEEPER	
9	20248	CABLE, MARINE, DC, 2 X 12AWG, 5m	1	SEAKEEPER	
8	30179	CABLE, MARINE, 3 x 10AWG, 3m	1	SEAKEEPER	
7	30246	WATERPROOF CAP, CAN, MALE	1	SEAKEEPER	
6	30301	CABLE, CAN, FEMALE-MALE, 0.6m	1	SEAKEEPER	
5	30249	TERMINATOR, CAN, 120 OHM, FEMALE	1	SEAKEEPER	
4	30244	TEE ADAPTER, CAN, 3-WAY, F-M-F	1	SEAKEEPER	
3	30243	CABLE, CAN, FEMALE-MALE, 25m	1	SEAKEEPER	
2	30298	DISPLAY, TOUCHSCREEN, IP67	1	SEAKEEPER	
1	90538	SEAKEEPER 18 GYRO ASSEMBLY	1	SEAKEEPER	
ITEM	SEAKEEPER PART NO.	DESCRIPTION	QTY	SUPPLY	

WEIGHT-LBS: N/A		MATERIAL: N/A		DRAWN: S. GOSS		DATE: 17 SEP 2019			
ENG APPR: W. GARZON		DATE: 18 SEP 2019		PROJ APPR:		DATE:		45310 APELL HOUSE LANE, SUITE 350, CALIFORNIA, MD 20619 TITLE SEAKEEPER 18 GYRO CABLE BLOCK DIAGRAM DWG NUMBER 90539 REV SHEET NO 1 1 OF 1	