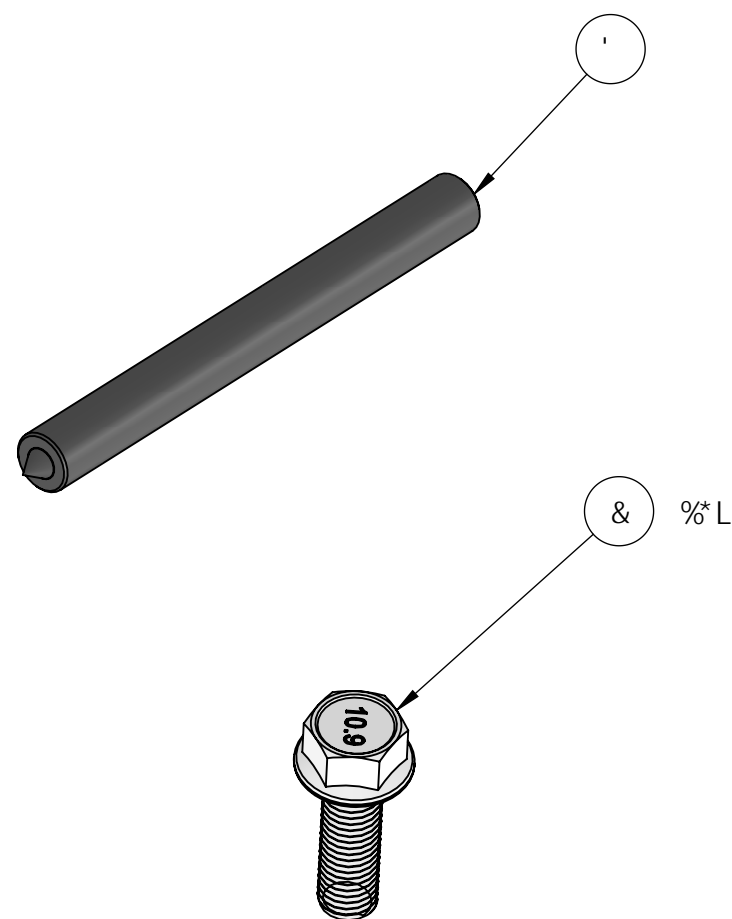
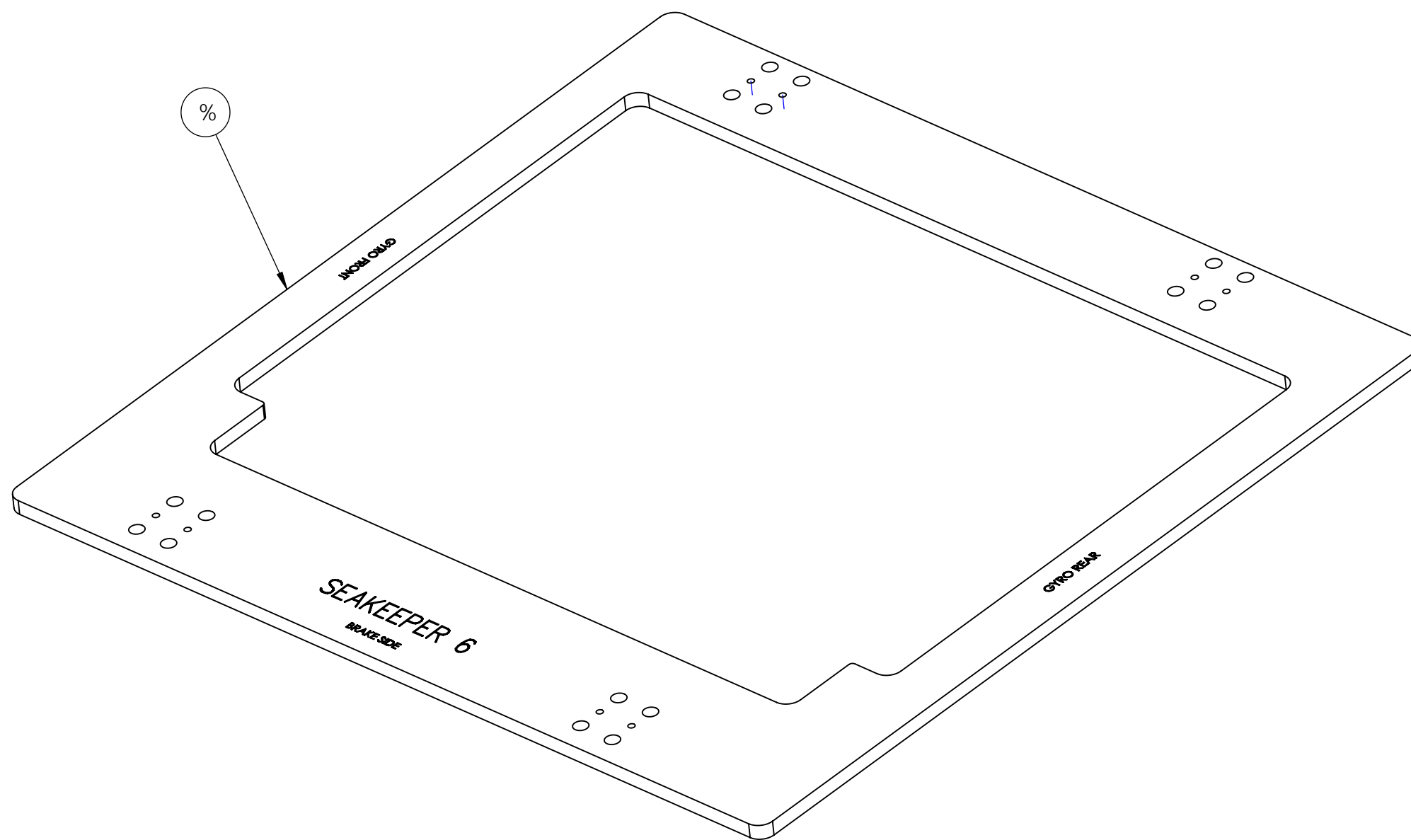
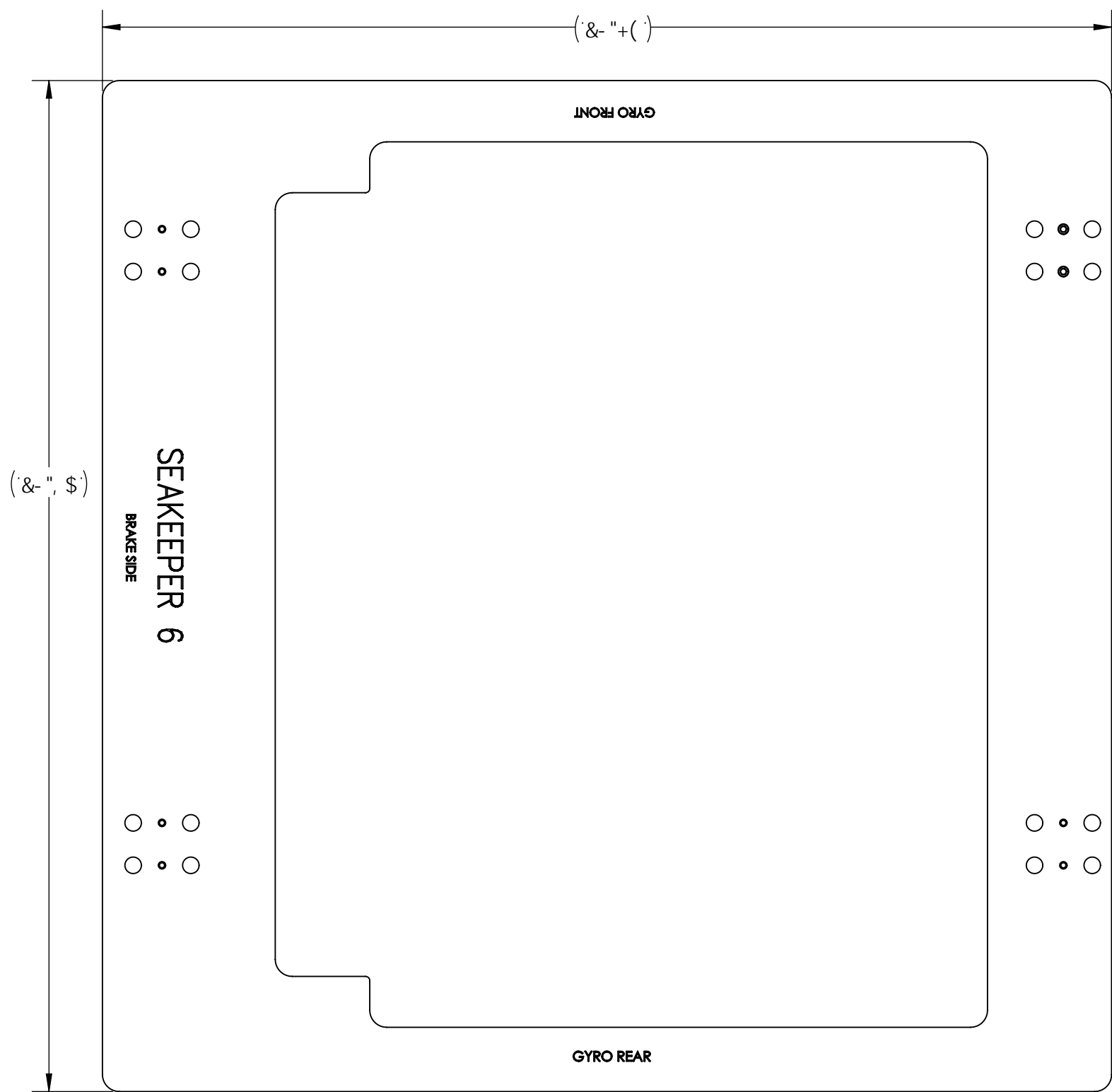



BC H9G % 7 @5B 5@7 CA DC B9BHGI F: 57 9GC: 5BMF5K A 5H9F 5@A 5F?B; G  
 ..... C F K F H B: "  
 ..... & L 5 G 9 A 6 @ 5 G G < C K B ' D F - C F ' H C ' G < - D D B; ' C F ' 8 9 @ J 9 F M H C ' G 9 5 ? 9 9 D 9 F

F 9 J ' B C " | 9 7 B ' B C " | N C B 9 | 8 9 G 7 F - D H C B | 8 5 H 9 | 5 D D F J 8 "



'	(\$(- & %&A A 'H5BG 9F 'DI B7 <	7 5 F 6 C B ' G H 9 @	%
&	*\$*( G7 F 9 K z < 9 L < 8 : @ 5 B: 9 z A %&L %+) z (\$A A @ z: I @ H k F 8	NB 7 ' D @ B ' G H 9 @	%*
%	%@ \$+ G95 ? 9 9 D 9 F * ' B G 5 @ 5 H C B ' H 9 A D @ 5 H 9	*\$* % H ' 5 @ A ' G < H	%
# 9 A ' B C "	D 5 F H B C "   8 9 G 7 F - D H C B	A 5 H 9 F 5 @	E H M

WEIGHT - LBS: % "&\$-		DRAWN: K < ? DATE: \$* G 9 D & \$* %		 Seakeeper Inc. 44425 Pecan Court, Suite 151 California, MD 20619 B 5 A 9	
MATERIAL:		ENG APPR:		G95 ? 9 9 D 9 F * ' B G 5 @ 5 H C B ' H 9 A D @ 5 H 9 ? # H DWG NUMBER - \$' - &	
PROD APPR:		DATE:		REV. NO. SHEET NO. % C: %	