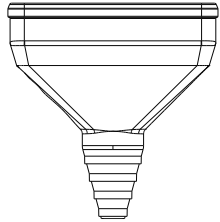


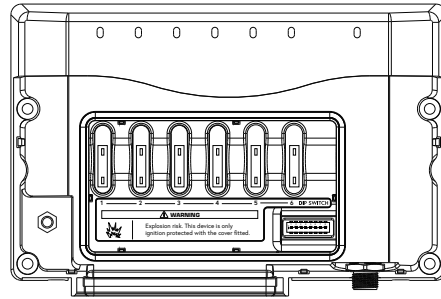
## Parts in the box



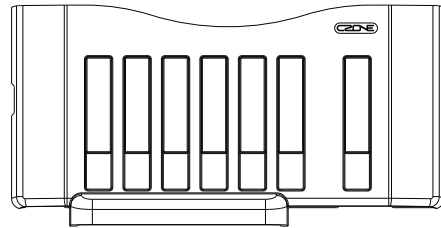
Output Connector



Cable Grommet



Output Module

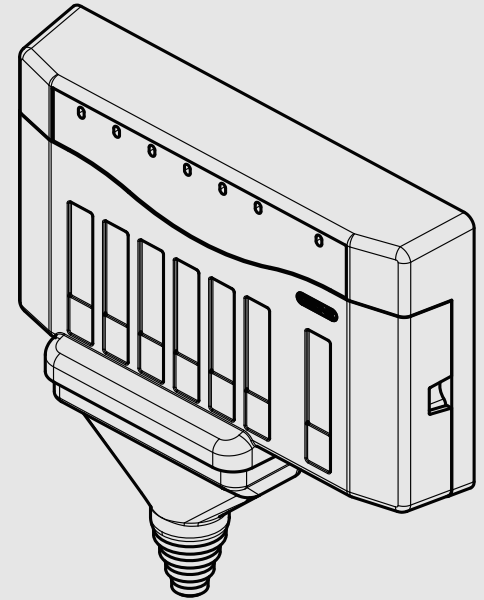


Top Cover

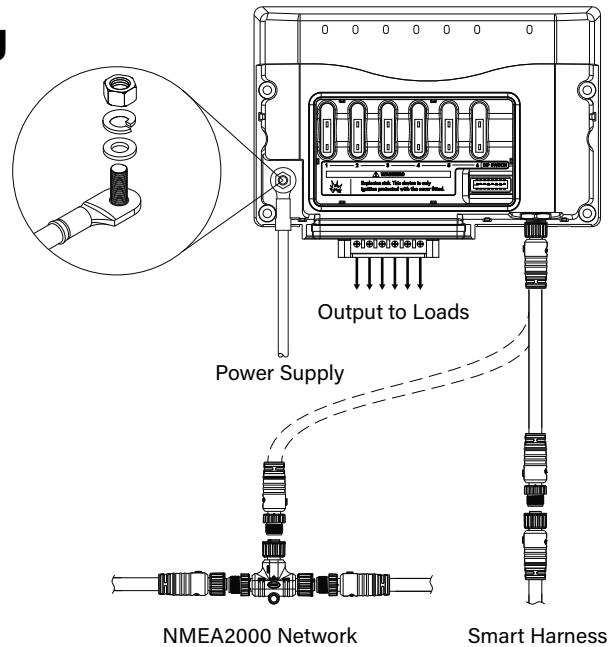
## Installation Guide



## Contact 6 PLUS

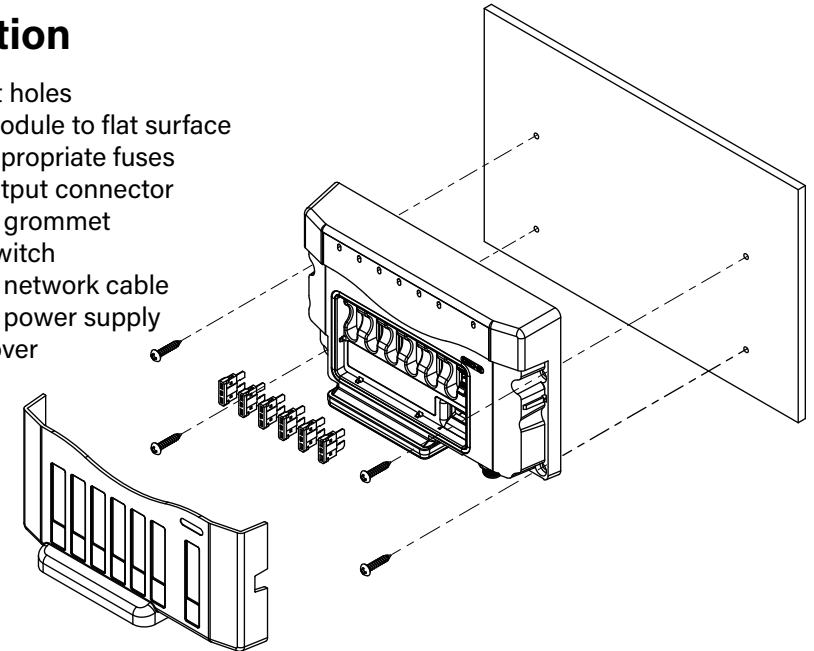


## Wiring

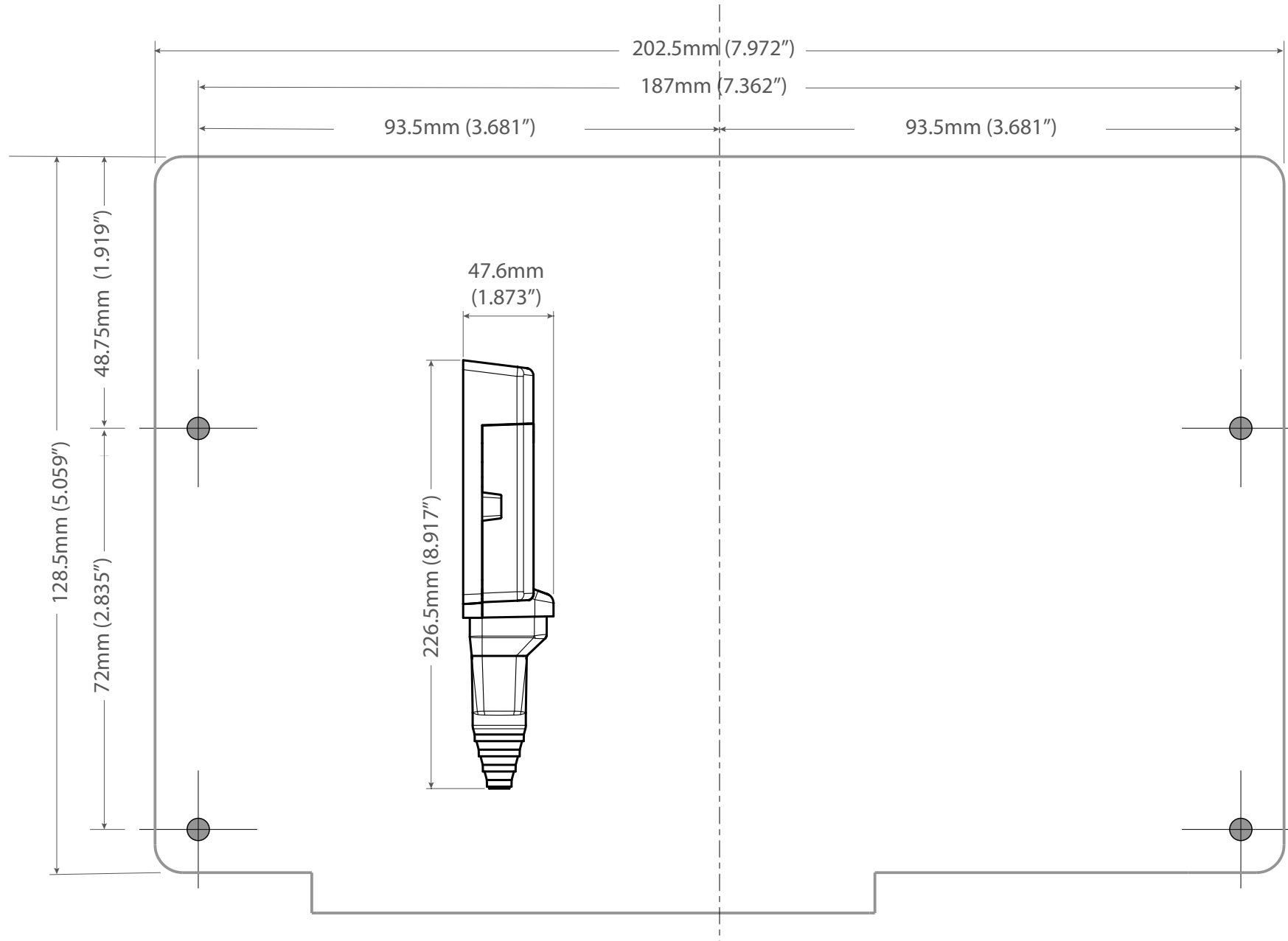


## Installation

1. Drill pilot holes
2. Screw module to flat surface
3. Insert appropriate fuses
4. Insert output connector
5. Fit cable grommet
6. Set dipswitch
7. Connect network cable
8. Connect power supply
9. Install cover



# Mounting Template



**Note: Check dimension before drilling**

