



**STEELHEAD
MARINE**

43676 Progress Way, Chilliwack, BC V2R 0C3
604.607.0091 | **Toll Free:** 1.800.770.0455
info@advantecglobal.com | steelheadmarine.net

ES Series 1000 Crane



Our lightweight and super efficient ES Series crane offers a low profile European design with four-function hydraulics.

APPLICATION	Recreational, Light Commercial	
STANDARD FEATURES	<ul style="list-style-type: none"> • 350° Power Rotation • Smooth Quiet Operation • Linear Winch • 4 Function Hydraulics (Luffing, Boom Extension, Rotation, Winch) • 12/24V Hydraulic Power Unit 	<ul style="list-style-type: none"> • Low Profile Design • Proof Tested to 110% Capacity • ALEXSEAL Yacht Coating • Amsteel Blue™ Synthetic Rope • Wireless Control
OPTIONAL FEATURES	<ul style="list-style-type: none"> • Wired Control • 230V AC Power Unit 	<ul style="list-style-type: none"> • Custom Specifications Available Upon Request
MOUNTING OPTIONS	<ul style="list-style-type: none"> • Standpipe 5.25" OD Aluminum • 16" x 19" Aluminum Round Base • FRP HPU Base 	<ul style="list-style-type: none"> • 24" x 24" Aluminum Square Base (16" and 22" High)
HOSES	16' Standard - Available in 5', 8', 22', and Custom Length	



ISO 9001:2008



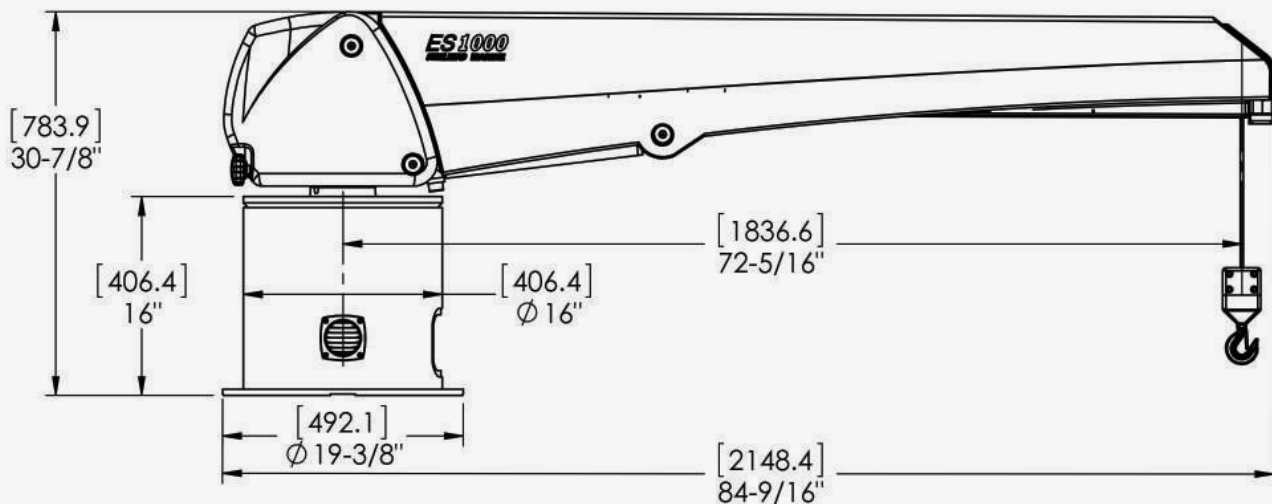
**PROUDLY MADE IN
NORTH AMERICA**



ES Series 1000 Crane

MODEL	MAXIMUM LIFT	EXTENDED REACH	HOIST HEIGHT	WEIGHT	RETRACTED LENGTH	IDEAL FOR VESSELS
ES1000	1000 lbs 454 kg	10' 3.0 m	16' 4.88 m	348 lbs 174 kg	6' 1.83 m	Less 55' 16.8 m

CAPACITY	REACH	WEIGHT	HOIST CABLE	CABLE SAFETY FACTOR	HOIST TRAVEL	WINCH TYPE	OPTIONAL HYDRAULICS
1000 lbs 455 kg	6 - 10' 1.8 - 3 m	384 lbs 175 kg	1/4" Amsteel	9:1	16' 4.9 m	Linear	Luffing Extension Rotation Winch



ISO 9001:2008



**PROUDLY MADE IN
NORTH AMERICA**