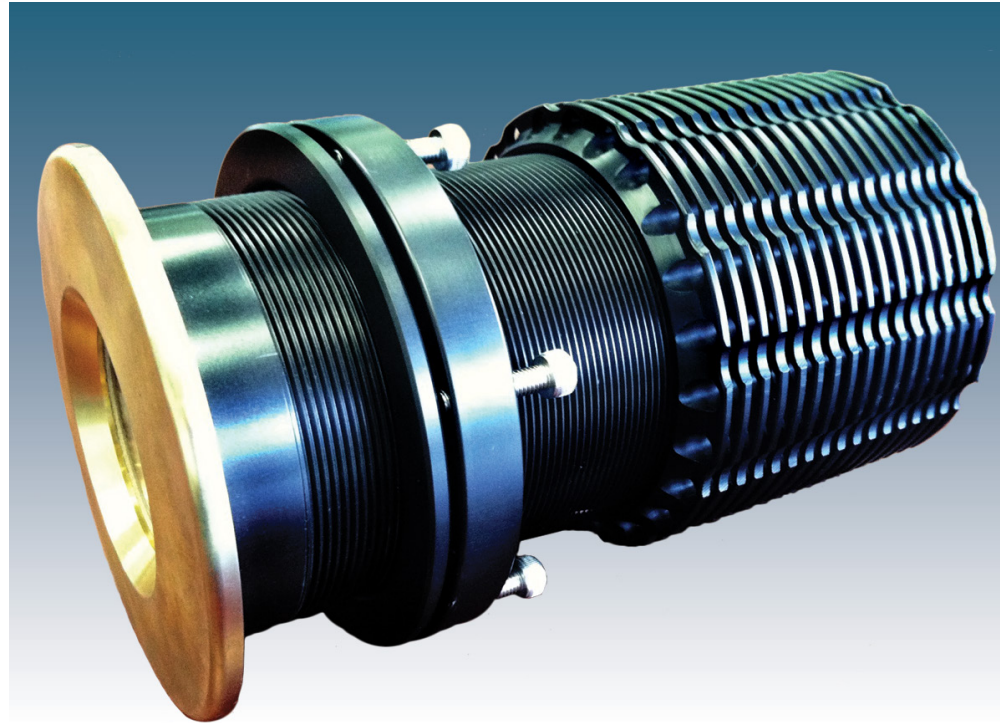


SV10 LED



The US manufactured SV10 LED is the brightest thru hull LED underwater light available to owners of GRP and wood boats. The industry leading SV10 combines the unique qualities of the latest high density LED chip technology with a silicone optic. This silicone optic increases the light output 30% while protecting the LED's from moisture. Both technologies are incorporated into the proven SV10 light body. As with all thru hull lights servicing and maintenance can be completed from inside the boat so this task is not limited to haul out periods. This light is suitable for all mid to large vessels including Yachts, sport fishers and cruising boats that have available A/C power.



SV10 LED technical specifications

Application for:	GRP / fiberglass / wood hulls
Light source:	High density LED array
Available in:	White, blue, green or RGB
Life length:	Approx. 40,000 + hours
Lumens:	21,685 in white
Kelvin colour temp:	6500 in white
Glass lens:	Borosilicate glass
Thickness:	12.7mm / 0.5"
Diameter:	58mm / 2.3"
Power supply:	100 – 277 VAC 50/60 Hz, 1.1 – 0.45 Amp input Max. 150W output
Casing material:	Marine Bronze / Marine Aluminum
Dimensions:	Flange diameter: 130mm (5.12") Body length: 258mm (10.16")

Angles Available:	Flush
Code:	SV10 LED
Total shipping weight:	18lbs
Installation:	Recommended at minimum 10" (250mm) below light load waterline between 3 – 8 feet (1 – 2.5 meters) apart. 4" (100mm) cut out hole

This is a guideline only, for specific requirements please contact us.

All information is subject to change without prior notice, please confirm details prior to ordering.



3406 SW 26th Terrace, C-6/7, Fort Lauderdale, FL 33312 USA
T. 954 760 4447 Toll Free 1 866 772 0130 F. 954 525 3261
sales@seavision.com www.seavision.com

SV10 LED Underwater Light

Thru-Hull Mount, LED Array



Introduction:

Congratulations on the purchase of your new thru-hull LED underwater light. The platform for the SV10 LED is based upon our time-proven thru hull SV10 HID housing. Underwater Lights® USA, LLC takes pride in providing well designed, high quality and thoroughly tested lights that allow you to "enhance your boating experience". These lights can be installed on your vessel for aesthetics, to attract fish and/or for security and safety.

General Information:

The latest commercial grade "COB" High-Density Light Emitting Diode (LED) technology used in this light will provide robust and reliable operation under normal operating conditions when used with the matching Underwater Lights® USA, LLC driver box.

The internal parts for the SV10 LED can be retro-fitted into an SV10 HID housing. Please see the matching SV10 LED retrofit manual for details.

The SV10 LED is intended for use on fiberglass and wood hulled vessels.

The main body is designed and tested to act as a cofferdam for added security.

Depending upon water clarity conditions, the light beam can reach up to 30 meters (100 feet).

Safety Information:

Never try to install or remove the SV10 while the vessel is in the water.

Upon proper installation, the SV10 requires bonding to the vessels grounding and cathodic protection system.

Always disconnect and lock-out power before working on light.

Care and Maintenance:

The SV10 should be inspected for moisture every six months by removing the projector lid and inspecting internal components. This can be accomplished while the vessel is in the water.

The SV10 electrical cabling and driver box should be visually inspected for proper operating condition every six months.

Marine growth should be removed from the glass using a soft brush to allow both heat and illumination to properly exit the light.

Technical Specifications:

Light source = Instant-on high flux, high density LED array - 21,685 maximum Lumens and 6500 Kelvin color temperature in White - Available in White, Blue, Green, RGB or RGBW changing LED array's - 40,000+ hours life - Internal thermal limit and reverse polarity protection included

Lense = Borosilicate glass - 12.7mm (0.5") thick - 58mm (2.3") diameter net aperture

Overall Dimensions = 130mm (5.12") diameter x 254mm (10") long - 6.9 kilograms (15.2 pounds)

Construction = Marine bronze and black anodized marine aluminum alloy

Power supply = VAC to driver box and VDC to SV10 LED (See matching Underwater Lights® USA, LLC driver box specifications)

Troubleshooting:

Please contact our Florida technical support staff at 1-954-760-4447 or French technical support staff at +33 (0) 497 21 0296, Monday thru Friday from 8:00 am to 5:00 pm local time.

Warranty:

Underwater Lights® USA, LLC warrants this light to be free from defects in workmanship and materials for a period of two years from the date of original purchase. Further, misuse, abuse, improper installation, neglect, improper shipping, damage caused by disasters such as fire, flood and lightning, unauthorized repair or modifications will void said warranty. Should your light prove defective during the warranty period, promptly contact Underwater Lights® USA, LLC for an RMA number and then return the light freight prepaid with the RMA number clearly marked on the outside of the shipping container.

Underwater Lights USA, LLC
3406 S.W. 26th Terrace, C 6/7
Fort Lauderdale, FL 33312 USA
Phone: 1-954-760-4447
Fax: 1-954-525-3261
Internet: www.seavision.com
Email: sales@seavision.com

DOC:062212-5

Underwater Lights Europe Sarl
16, rue Rouaze
06400 Cannes, France
Phone: 33-(0)-4-97-21-02-96
Fax: 33-(0)-4-97-21-10-96
Internet: www.seavision.com
Email: sales@seavisioneurope.com

SV10 LED Underwater Light

Thru-Hull Mount, LED Array



Installation:

The SV10 LED underwater light should be installed by qualified personnel only. It is recommended to mount the light assembly at a minimum of 250-300mm (10-12") below the light load water line using proper tools and materials. The minimum hull thickness is 10mm (0.4") and maximum (for sufficient heat dissipation) is 90mm (3.5") with an access area of at least 75mm (3") left behind the light for lamp servicing and general ventilation.

After selecting the desired location on a flat surface, cut a 100mm (4") diameter hole through the vessel hull in the desired location. Caution! Check that no electrical wiring, fuel lines, oil lines, water lines etc., pass near or through the intended hole location. Note: In order to allow proper heat dissipation from the installed lights it is important to ensure that any hull insulation/cladding is not in contact with the thru hull or light body. It is recommended that a minimum of 30mm (1.2") of clear space should be surrounding the fixture to allow for adequate cooling.

The SV10 must be partially disassembled prior to installation. For light disassembly, disconnect Receptacle (11) from Plug (12), unscrew Projector Lid (10) from Flanged Main Body (1), remove Locking Ring (6) and Compression Ring (5) from Flanged Main Body (1). Carefully coat Flanged Main Body (1) and inner surface of hull hole with 3M 5200 Marine Adhesive or equivalent. Caution! Avoid placing excess adhesive on Flanged Main Body (1) threads. Note: Exposed inner hole surface must be properly sealed before light installation to prevent potential water intrusion into the hull proper. Holding the Flanged Main Body (1), push the light through the hole, slide Compression Ring (5) over Flanged Main Body (1) and then tighten Locking Ring (6) hand tight. Note: Ensure that the tips of all six fasteners (18) are NOT touching Compression Ring (5). After the 3M 5200 Marine Adhesive is fully cured, tighten the six fasteners (18) to 9 Nm (7 ft/lbs) using a 5mm allen wrench. The thru hull fitting should be electrically connected to the vessels cathodic protection system using fastener (19) located on Locking Ring (6). Also, tighten set screw (20) located in Locking Ring (6) to ensure good electrical continuity to Flanged Main Body (1).

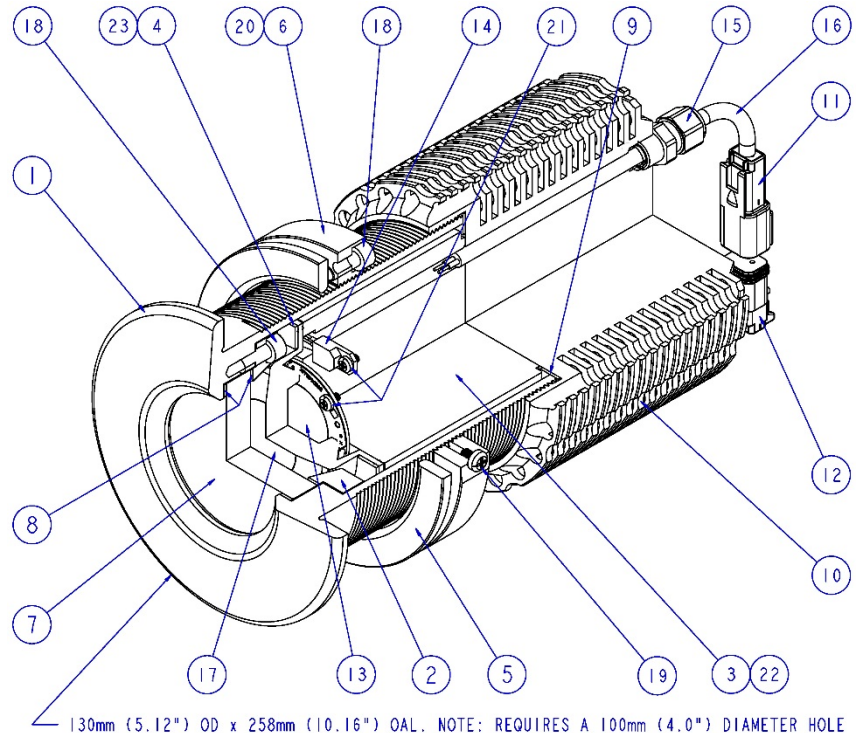
Upon making proper electrical connections (see driver box manual), reverse aforementioned light disassembly procedure and hand tighten Projector Lid (10). Note: Apply anti-seize compound to Projector Lid (10) internal threads. Upon completing light installation, it is highly recommended that Flanged Main Body (1) face be coated with antifouling paint. Also, hand tighten 4mm set screw (20) located in Locking Ring (6).

Serviceable Parts:

The SV10 LED Underwater Light is fully serviceable and all parts are replaceable. Please contact our technical support staff to discuss your individual needs.

For Glass (7) replacement disconnect Receptacle (11) from Plug (12), unscrew Projector Lid (10) from Flanged Main Body (1), remove Glass Retaining Ring (2) by removing the six fasteners (18) and remove Glass Gaskets (8). Upon thoroughly cleaning all surfaces, reverse said procedure to reassemble and hand tighten Projector Lid (10). Note: Six fasteners (18) are tightened in a criss-cross pattern to 9 Nm (7 ft/lbs) using a 5mm allen wrench. **Caution! Never attempt to remove/replace glass while vessel is in the water.**

MODEL A13A11Z25-12G32L		
BALLOON	PART	DESCRIPTION
1	10224	FLANGED MAIN BODY / COFFERDAM
2	10003	GLASS RETAINING RING
3	10219	PROJECTOR MOUNT
4	10220	LENSE HOLDER
5	10006	COMPRESSION RING
6	10007	LOCKING RING
7	10010	GLASS
8	10011	GLASS GASKET
9	10012	CONNECTING RING GASKET
10	10218	PROJECTOR LID
11	10208	RECEPTACLE ASSEMBLY, 2-WAY
12	10209	PLUG ASSEMBLY, 2-WAY
13	10212	LED ARRAY
14	10222	THERMOSWITCH
15	10205	CABLE STRAIN RELIEF
16	10206	ELECTRICAL CABLE
17	10221	LENSE
18	10020	M6 x 1.0 x 14LG SST SHCS
19	10033	M4 x 0.7 x 6LG SST PPHS
20	10044	M4 x 0.7 x 10LG SST SET SCREW
21	10207	M3 x 0.5 x 5LG SST PPHS
22	10211	M3 x 0.5 x 12LG SST SHCS
23	10223	M4 x 0.7 x 8LG SST PPHS



130mm (5.12") OD x 258mm (10.16") OAL. NOTE: REQUIRES A 100mm (4.0") DIAMETER HOLE

Underwater Lights USA, LLC
 3406 S.W. 26th Terrace, C 6/7
 Fort Lauderdale, FL 33312 USA
 Phone: 1-954-760-4447
 Fax: 1-954-525-3261
 Internet: www.seavision.com
 Email: sales@seavision.com

DOC:062212-5

Underwater Lights Europe Sarl
 16, rue Rouaze
 06400 Cannes, France
 Phone: 33-(0)-4-97-21-02-96
 Fax: 33-(0)-4-97-21-10-96
 Internet: www.seavision.com
 Email: sales@seavisioneurope.com

SV18 Driver Box

120-230VAC



Introduction:

Congratulations on the purchase of your new thru hull LED light driver box. Underwater Lights® USA, LLC takes pride in providing well designed, high quality and thoroughly tested lights that allow you to "enhance your boating experience". These lights can be installed in your vessel for aesthetics, to attract fish, for security and safety.

Features Include:

Latest control technology and electronic component construction to guarantee high levels of performance.

Universal VAC input with short circuit, over current, over voltage and over temperature protections.

Electrical wiring terminal block with VAC input fuse protection.

General Safety Information:

This driver box is specifically designed for use with matching Underwater Lights® USA, LLC brand lights only.

Always ensure that VAC power is disconnected and locked out before performing driver box installation and/or service.

The driver box should be opened and visually inspected every six months.

Driver box electrical cabling should be visually inspected for proper operating condition every six months.

Technical Specifications:

Box Dimensions = 260mm (10.2") long x 160mm (6.3") wide x 91mm (3.6") deep - 2.9 kilograms (6.6 pounds)

Box Construction = Gray painted diecast aluminum alloy with polyurethane gasket, IP66/NEMA 4X rated

Driver = 100-277VAC, 50/60 Hz, 1.1-0.45 Ampere input range - Max 150 Watt output - Min operating temperature -30°C (-22°F)

Cable to Driver Box = Marine grade electrical cable, 16/3 stranded copper wire, with as short a length as possible

Cable from Driver Box to Light = Marine grade electrical cable, 18/2 stranded copper wire, 5 meters (16 feet) maximum length

Terminal block fuse = Fast blow 10 Amp cylindrical, 6.3mm diameter x 25mm or 32mm long (0.25" diameter x 1.0" or 1.25" long)

Troubleshooting:

Please contact our technical support staff in Florida at 1-954-760-4447, Monday to Friday from 8:00 am to 5:00 pm EST.

Warranty:

Underwater Lights® USA, LLC warrants this ballast box to be free from defects in workmanship and materials for a period of two years from the date of original purchase. Further, misuse, abuse, improper installation, neglect, improper shipping, damage caused by disasters such as fire, flood and lightning, unauthorized repair or modifications will void said warranty. Should your ballast box prove defective during the warranty period, promptly contact Underwater Lights® USA, LLC for an RMA number and then return the ballast box freight prepaid with the RMA number clearly marked on the outside of the shipping container.

Underwater Lights USA, LLC
3406 SW 26th Terrace, C-6/7
Fort Lauderdale, FL 33312 USA
Phone: 1-954-760-4447
Fax: 1-954-525-3261
Internet: www.seavision.com
Email: sales@seavision.com

DOC:092205-6

Underwater Lights Europe Sarl
16, rue Rouaze
06400 Cannes, France
Phone: 33-(0)-4-97-21-02-96
Fax: 33-(0)-4-97-21-10-96
Internet: www.seavision.com
Email: sales@seavisioneurope.com

SV18 Driver Box

120-230VAC



Installation:

The driver box should be mounted in a cool, dry, well ventilated and easily accessible location. Attach the driver box to a fixed bulkhead or similar secure structure using appropriate M6 fasteners with adequate space between driver boxes for proper cooling. Note: Whereas the driver box can be placed in any orientation, it is recommended that the cable strain relief connectors face down.

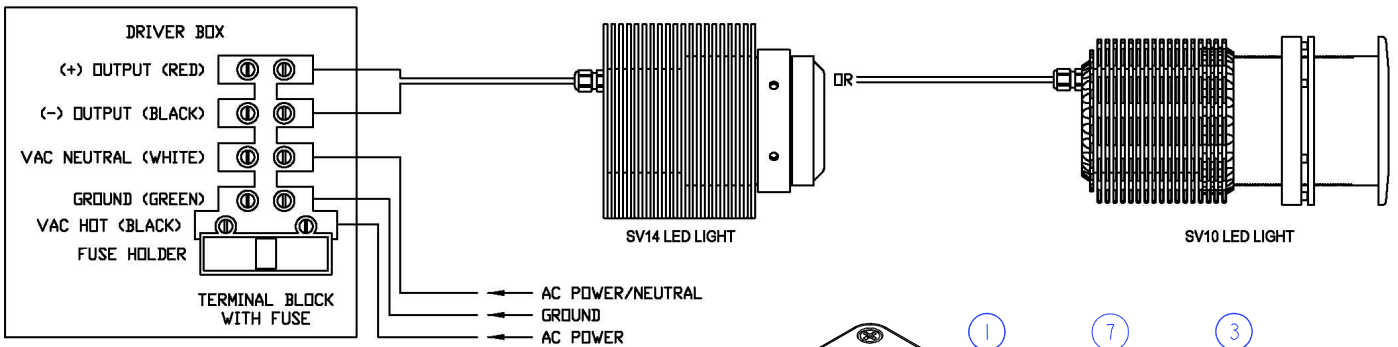
Using marine grade cable, run a VAC input line into the driver box and secure by way of one cable strain relief connector.

Run cable supplied with the thru hull LED light to the driver box and secure by way of one strain relief connector. Caution! Avoid making tight bends and/or passing cables over sharp edges/surfaces.

Connect cable leads to the driver box fused terminal block as shown in the wiring diagram below.

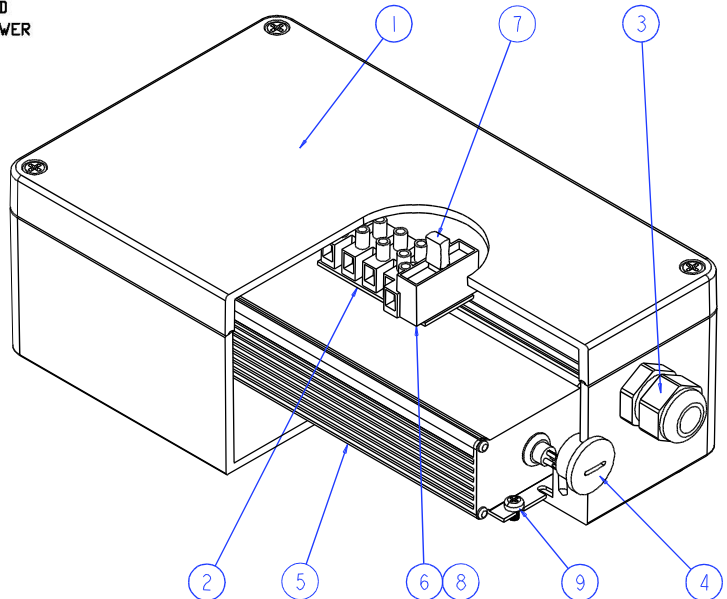
Serviceable Parts:

Upon opening the driver box by unscrewing four captive lid fasteners, replacement of driver or fused terminal block is accomplished by removal and replacement of associated fasteners and wiring. Further, a 10 Amp fuse located in the terminal block may be pulled out and replaced as required. **Caution! Ensure that VAC power is disconnected and locked out before servicing driver box.**



MODEL 12G32L, 120-230VAC		
BALLOON	PART	DESCRIPTION
1	18032	ENCLOSURE
2	18003	TERMINAL BLOCK MOUNT
3	18004	CABLE STRAIN RELIEF
4	18005	BLANKING PLUG
5	18030 18039	DRIVER* SURGE PROTECTION DEVICE*
6	18008	FUSED TERMINAL BLOCK
7	18013	FAST BLOW FUSE
8	18011	M3.5 x 0.6 x 12LG PPHS
9	18031	M4 x 0.7 x 6LG SST PPHS

*PLEASE CALL FOR OTHER PRODUCT COMPONENT CONFIGURATIONS



Underwater Lights USA, LLC
 3406 SW 26th Terrace, C-6/7
 Fort Lauderdale, FL 33312 USA
 Phone: 1-954-760-4447
 Fax: 1-954-525-3261
 Internet: www.seavision.com
 Email: sales@seavision.com

DOC:092205-6

Underwater Lights Europe Sarl
 16, rue Rouaze
 06400 Cannes, France
 Phone: 33-(0)-4-97-21-02-96
 Fax: 33-(0)-4-97-21-10-96
 Internet: www.seavision.com
 Email: sales@seavisioneurope.com

IMPORTANT NOTICE!



English:

All drawings of general management, design detail and invention are the property of Underwater Lights USA, LLC and may be used solely for work contracted or by express written permission of Underwater Lights USA, LLC. This applies to first hand use and material on loan to others. Any infringement may be liable to penalty and/or compensation without regard to the question of guilt. All drawings are subject to detail development during the course of construction, and all rights of reproduction are reserved. Any information provided by Underwater Lights USA, LLC in either hard copy or electronic format may be subject to change/s without prior purchaser, customer or end user notice.

French:

Tous les dessins, détails généraux, de conception et d'invention sont la propriété de Underwater Lights USA, LLC et ne peuvent être utilisés que pour des travaux sous contrat ou avec l'autorisation écrite expresse de Underwater Lights USA, LLC. Ceci s'applique à la fois à la première utilisation et au matériel emprunté ou visualisé par des tiers. Toute infraction peut faire l'objet de sanctions et / ou d'une indemnisation sans qu'il soit nécessaire d'établir la preuve de culpabilité. Tous les dessins font l'objet de développements détaillés pendant la construction et tous les droits de reproduction sont réservés. Les informations fournies par Underwater Lights USA, LLC, en version papier ou électronique, peuvent être sujettes à modification(s) sans notification préalable à l'acheteur, au client ou à l'utilisateur final.

Italian:

Tutti i disegni, generali, dettagli di progettazione e di invenzione sono di proprietà della Underwater Lights USA, LLC e possono essere utilizzati esclusivamente per il lavoro contratto o mediante espressa autorizzazione scritta della Underwater Lights USA, LLC. Ciò vale sia per la prima utilizzazione sia per il materiale in prestito o visione a terzi. Qualsiasi infrazione può essere soggetta a sanzioni e/o indennizzi senza considerare la questione del senso di colpa. Tutti i disegni sono soggetti a sviluppo dettagliato durante la costruzione e sono riservati tutti i diritti di riproduzione. Le informazioni fornite dalla Underwater Lights USA, LLC, in copia cartacea o elettronica, possono essere soggette a modifica/modifiche senza preavviso all'acquirente, al cliente o all'utente finale.

Spanish:

Todos los dibujos, detalles de diseño y creación son propiedad de Underwater Lights USA, LLC y pueden ser utilizados únicamente para trabajos relacionados o a través de autorización escrita de Underwater Lights USA, LLC. Esto aplica a utilizarlos de primera mano o a material prestado a otros. Cualquier violación de estos términos puede ser penalizada y/o una compensación puede ser requerida sin cuestionar la culpabilidad. Todos los dibujos están sujetos a ser desarrollados en detalle durante el transcurso de la construcción y todos los derechos de reproducción son reservados. Toda la información proporcionada por Underwater Lights USA, LLC tanto en forma impresa como digital está sujeta a cambios en cualquier momento sin notificarle al comprador, cliente o usuario final.