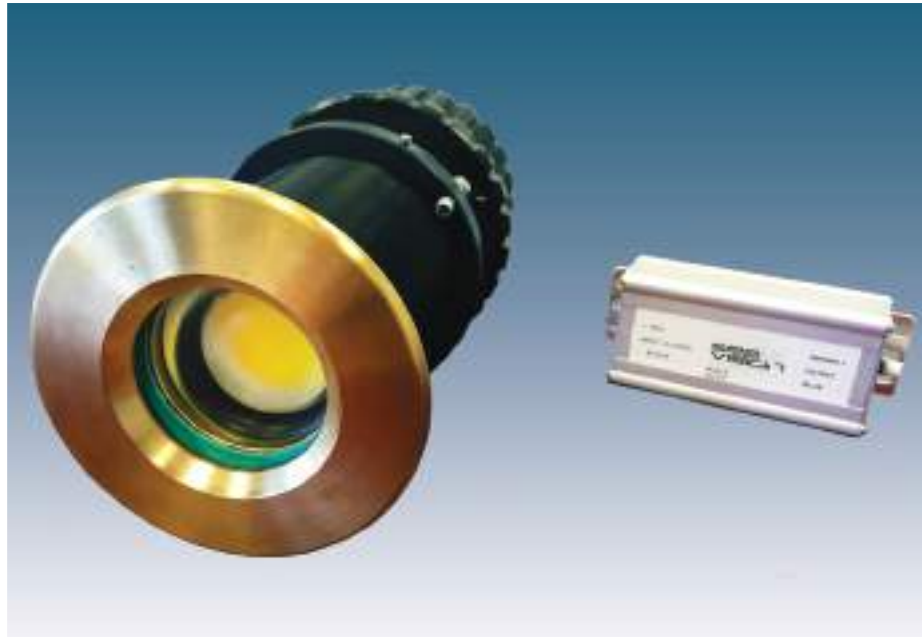


SV19 LED GEN II



The SV19 is our brightest DC powered thru hull light. Incorporating the latest in high density LED COB chip technology and silicone optics produces an amazing underwater lighting effect suitable for small to mid-sized boats. The robust aluminum bronze housing and borosilicate glass lens will ensure the safety of your boat and provide many years of satisfying use. Available in blue or white.



SV19 LED GEN II technical specifications

Application for:	GRP/fiberglass/wood hulls
Lamp:	High density LED array
Life length:	30,000 hours plus
Kelvin colour temp:	6500 Lumens: 3484 Total
Glass lens:	Borosilicate glass
Thickness:	9.5mm / 0.38" Thick
Diameter:	41mm / 1.61"
Power supply:	12 to 24 VDC 24V - 2.3 Amps cont. / 12V - 4.6 Amps cont.
Casing material:	Marine Bronze / Marine Aluminum
Dimensions:	Diameter: 110mm (4.3") Body length: 222mm (8.7")

Angles available:	Flush
Weight:	3.08 kg / 6.8 lbs
Code:	SV19 LED GEN II
Total shipping weight:	3.4 kg / 7.5 lbs
Installation:	Recommended at least 6" (152mm) below the waterline between 3 – 6 feet (1-2 meters apart) (80mm)
Colors:	white, blue

All information is subject to change without prior notice, please confirm details prior to ordering.



SV19 LED GEN II Underwater Light

Thru-Hull Mount, LED Array



Introduction:

Congratulations on the purchase of your new thru-hull LED underwater light. Underwater Lights® USA, LLC takes pride in providing well designed, high quality and thoroughly tested lights that allow you to "enhance your boating experience". These lights can be installed on your vessel for aesthetics, to attract fish and/or for security and safety.

General Operating Information:

The latest commercial grade "COB" High-Density Light Emitting Diode (LED) technology coupled with silicone optics used in this light will provide robust and reliable operation under normal operating conditions when used with the matching Underwater Lights® USA, LLC driver.

The SV19 LED is intended for use on fiberglass and wood hulled vessels.

Depending upon water clarity conditions, the light beam can reach up to 30 meters (100 feet).

General Safety Information:

Never try to install or remove this light while the vessel is in the water.

Electrical wiring harness components should be kept out of potentially explosive gas environments.

The body of the light must be electrically joined to the vessels grounding and cathodic protection system. Failure to do so may cause galvanic corrosion.

Always disconnect and lock-out power before working on light.

The light should be visually inspected every six months.

The light, electrical components and electrical cabling should be visually inspected for proper operating condition every six months.

Marine growth should be removed from the glass using a soft brush to allow both heat and illumination to exit the light.

Technical Specifications:

Light source = Instant-on high flux, high density LED array - 3,484 total Lumens (Peak Axial Candela 3049) and 6,500 Kelvin color temperature in White or optional Blue LED array - 40,000+ hours life - Thermal limit switch and short circuit protection included

Glass = Borosilicate glass - 9.5mm (0.38") thick - 41mm (1.61") diameter net aperture

Construction = Marine bronze - Black anodized marine aluminum alloy - Black delrin

Light dimensions = 110mm (4.3") diameter x 222mm (8.7") long - 3,098 grams (6.8 pounds)

LED driver dimensions = 119.5mm (4.7") long x 48.3mm (1.9") wide x 34mm (1.3") tall - 112 grams (0.25 pounds)

Power supply = 12VDC to 24VDC - 2.3 Amps cont. 24V / 4.6 Amps cont. 12V - Operating temp from -30°C (-22°F) to 50°C (122°F)

Troubleshooting:

Please contact our technical support staff in Florida at 1-954-760-4447, Monday to Friday from 8:00 am to 5:00 pm EST.

Warranty:

Underwater Lights® USA, LLC warrants this light to be free from defects in workmanship and materials for a period of two years from the date of original purchase. Further, misuse, abuse, improper installation, neglect, improper shipping, damage caused by disasters such as fire, flood and lightning, unauthorized repair or modifications will void said warranty. Should your light prove defective during the warranty period, promptly contact Underwater Lights® USA, LLC for an RMA number and then return the light freight prepaid with the RMA number clearly marked on the outside of the shipping container.

Underwater Lights USA, LLC
3406 S.W. 26th Terrace, C 6/7
Fort Lauderdale, FL 33312 USA
Phone: 1-954-760-4447
Fax: 1-954-525-3261
Internet: www.seavision.com
Email: sales@seavision.com

DOC:120515-7

Underwater Lights Europe Sarl
16, rue Rouaze
06400 Cannes, France
Phone: 33-(0)-4-97-21-02-96
Fax: 33-(0)-4-97-21-10-96
Internet: www.seavision.com
Email: sales@seavisioneurope.com

SV19 LED GEN II Underwater Light

Thru-Hull Mount, LED Array



Installation:

This light should be installed at least 152mm (6") below the water line by qualified/approved personnel using proper tools and materials. The minimum hull thickness is 8mm (0.31") and maximum (for sufficient heat dissipation) is 73mm (2.87") with an access area of at least 140mm (5.5") left behind the light for LED array servicing and general ventilation.

After selecting a flat surface, cut a 80mm (3-1/4") diameter hole through the vessel hull in the desired location. Caution! Check that no electrical wiring, fuel lines, oil lines, water lines etc., pass near or through the intended hole location.

Unscrew and remove Projector Lid (5) with attached parts (6), (4), (7), etc., from the light. Carefully coat Front Flange (2), Main Body (1) and inner surface of above cut hole with 3M 5200 Marine Adhesive or equivalent. Caution! Avoid placing adhesive on Main Body (1) threads. Note: Exposed inner hole surface must be properly sealed before light installation to prevent potential water intrusion into the hull proper.

Holding Front Flange (2), push light through the above hole, slide Compression Ring (8) over Main Body (1) and tighten Locking Ring (9) hand tight. Note: Ensure that the tips of all three Fasteners (14) are NOT touching the Compression ring (8). After the 3M 5200 Marine Adhesive is fully cured, evenly tighten Fasteners (14) to 7 Nm (5 ft/bs) using a 5mm allen wrench.

Carefully insert Projector Mount (4) with attached parts (5), (6), (7), etc., in Main Body (1) and hand tighten Projector Lid (5). Upon completing light installation, coat Front Flange (2) face with antifouling paint (highly recommended). The thru hull fitting should be electrically connected to the vessels cathodic protection system using fastener (24) located on Locking Ring (9). Also, tighten set screw (25) located in Locking Ring (9) to ensure good electrical continuity to Main Body (1).

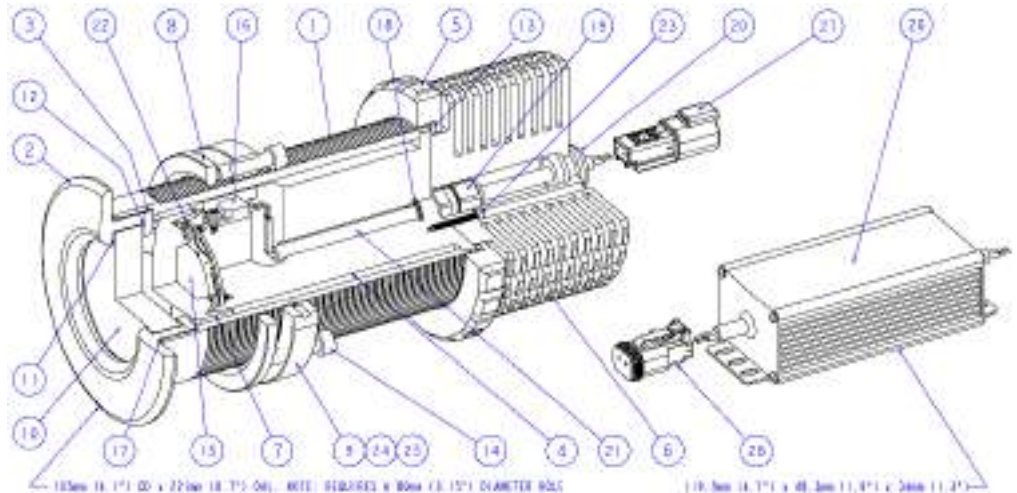
Securely mount LED Driver (26) as high as possible away from the light using at least one fastener on each mounting flange. Connect loose LED driver RED wire lead to a switched and fused power source utilizing supplied fuse, connect loose LED driver BLACK wire lead to a good ground. Plug LED driver (28) output connector to LED light input connector (27).

Caution! Directly connecting power source to light without using the LED driver will permanently damage the light.

Serviceable Parts:

The SV19 LED Underwater Light is field serviceable and most of the parts are replaceable. However, numbers (3), (10), (11) + (12) are not field serviceable on this light. Please contact our technical support staff to discuss your individual needs.

MODELS A12B11A41-15G36G WHITE or A12B11A48-15G36G BLUE, 12-24VDC		
BALLOON	PART	DESCRIPTION
1	ul-19036	MAIN BODY
2	ul-19002	FRONT FLANGE
3	ul-19003	GLASS RETAINING RING
4	ul-19201	PROJECTOR MOUNT
5	ul-19219	PROJECTOR LID
6	ul-19203	PROJECTOR CAP
7	ul-19204	SILICONE OPTIC
8	ul-19006	COMPRESSION RING
9	ul-19007	LOCKING RING
10	ul-19010	GLASS
11	ul-19011	OUTER GLASS GASKET
12	ul-19068	INNER GLASS GASKET
13	ul-19012	PROJECTOR LID GASKET
14	ul-19018	M6 x 1.0 x 25LG SHCS
15	ul-19206 ul-19221	WHITE LED ARRAY BLUE LED ARRAY
16	ul-19208	THERMOSWITCH
17	ul-19017	FRONT FLANGE O-RING
18	ul-19209	STRAIN RELIEF O-RING
19	ul-19210	CABLE STRAIN RELIEF
20	ul-19211	RUBBER GROMMET
21	ul-19212	ELECTRICAL CABLE
22	ul-19213	M3 x 0.5 x 5LG SST PPHS
23	ul-19214	M3 x 0.5 x 20LG SST SHCS
24	ul-19069	M4 x 0.7 x 6LG SST PPHS
25	ul-19070	M4 x 0.7 x 10LG SST CONE POINT SS
26	ul-19220	12-24VDC LED DRIVER
27	ul-19217	RECEPTACLE ASSEMBLY, 2-WAY
28	ul-19218	PLUG ASSEMBLY, 2-WAY



Underwater Lights USA, LLC
 3406 S.W. 26th Terrace, C 6/7
 Fort Lauderdale, FL 33312 USA
 Phone: 1-954-760-4447
 Fax: 1-954-525-3261
 Internet: www.seavision.com
 Email: sales@seavision.com

DOC:120515-7

Underwater Lights Europe Sarl
 16, rue Rouaze
 06400 Cannes, France
 Phone: 33-(0)-4-97-21-02-96
 Fax: 33-(0)-4-97-21-10-96
 Internet: www.seavision.com
 Email: sales@seavisioneurope.com

IMPORTANT NOTICE!



English:

All drawings of general management, design detail and invention are the property of Underwater Lights USA, LLC and may be used solely for work contracted or by express written permission of Underwater Lights USA, LLC. This applies to first hand use and material on loan to others. Any infringement may be liable to penalty and/or compensation without regard to the question of guilt. All drawings are subject to detail development during the course of construction, and all rights of reproduction are reserved. Any information provided by Underwater Lights USA, LLC in either hard copy or electronic format may be subject to change/s without prior purchaser, customer or end user notice.

French:

Tous les dessins, détails généraux, de conception et d'invention sont la propriété de Underwater Lights USA, LLC et ne peuvent être utilisés que pour des travaux sous contrat ou avec l'autorisation écrite expresse de Underwater Lights USA, LLC. Ceci s'applique à la fois à la première utilisation et au matériel emprunté ou visualisé par des tiers. Toute infraction peut faire l'objet de sanctions et / ou d'une indemnisation sans qu'il soit nécessaire d'établir la preuve de culpabilité. Tous les dessins font l'objet de développements détaillés pendant la construction et tous les droits de reproduction sont réservés. Les informations fournies par Underwater Lights USA, LLC, en version papier ou électronique, peuvent être sujettes à modification(s) sans notification préalable à l'acheteur, au client ou à l'utilisateur final.

Italian:

Tutti i disegni, generali, dettagli di progettazione e di invenzione sono di proprietà della Underwater Lights USA, LLC e possono essere utilizzati esclusivamente per il lavoro contratto o mediante espressa autorizzazione scritta della Underwater Lights USA, LLC. Ciò vale sia per la prima utilizzazione sia per il materiale in prestito o visione a terzi. Qualsiasi infrazione può essere soggetta a sanzioni e/o indennizzi senza considerare la questione del senso di colpa. Tutti i disegni sono soggetti a sviluppo dettagliato durante la costruzione e sono riservati tutti i diritti di riproduzione. Le informazioni fornite dalla Underwater Lights USA, LLC, in copia cartacea o elettronica, possono essere soggette a modifica/modifiche senza preavviso all'acquirente, al cliente o all'utente finale.

Spanish:

Todos los dibujos, detalles de diseño y creación son propiedad de Underwater Lights USA, LLC y pueden ser utilizados únicamente para trabajos relacionados o a través de autorización escrita de Underwater Lights USA, LLC. Esto aplica a utilizarlos de primera mano o a material prestado a otros. Cualquier violación de estos términos puede ser penalizada y/o una compensación puede ser requerida sin cuestionar la culpabilidad. Todos los dibujos están sujetos a ser desarrollados en detalle durante el transcurso de la construcción y todos los derechos de reproducción son reservados. Toda la información proporcionada por Underwater Lights USA, LLC tanto en forma impresa como digital está sujeta a cambios en cualquier momento sin notificarle al comprador, cliente o usuario final.