

4X Ø14.3 [0.56]
PRIMARY MTG. HOLES

1104 [43.46] 179 [7.05]

688 [27.09]

4X Ø14.3 [0.56]
SECONDARY MTG. HOLES

1498 [58.98] 18 [0.71]

X-CENTER OF BALANCE
SEE CHART

CONTROLLER

AIR CLEANER
FUEL INLET
7/16-20 UNS
MALE THREAD

WATER FILL

444 [17.49]

OIL FILL

SEA WATER
INLET FOR
51 [2.00]
I.D. HOSE

916 [36.07]

51 [2.01]

995 [39.17]

423 [16.67]

76 [3.00] CABLE
CONNECTOR FOR
CUSTOMER LOAD LEADS

FUEL
FILTER
OIL CHECK

252 [9.93]

541 [21.29]

863 [34.00]

1/2 N.P.T.
OIL DRAIN

1534 [60.39]

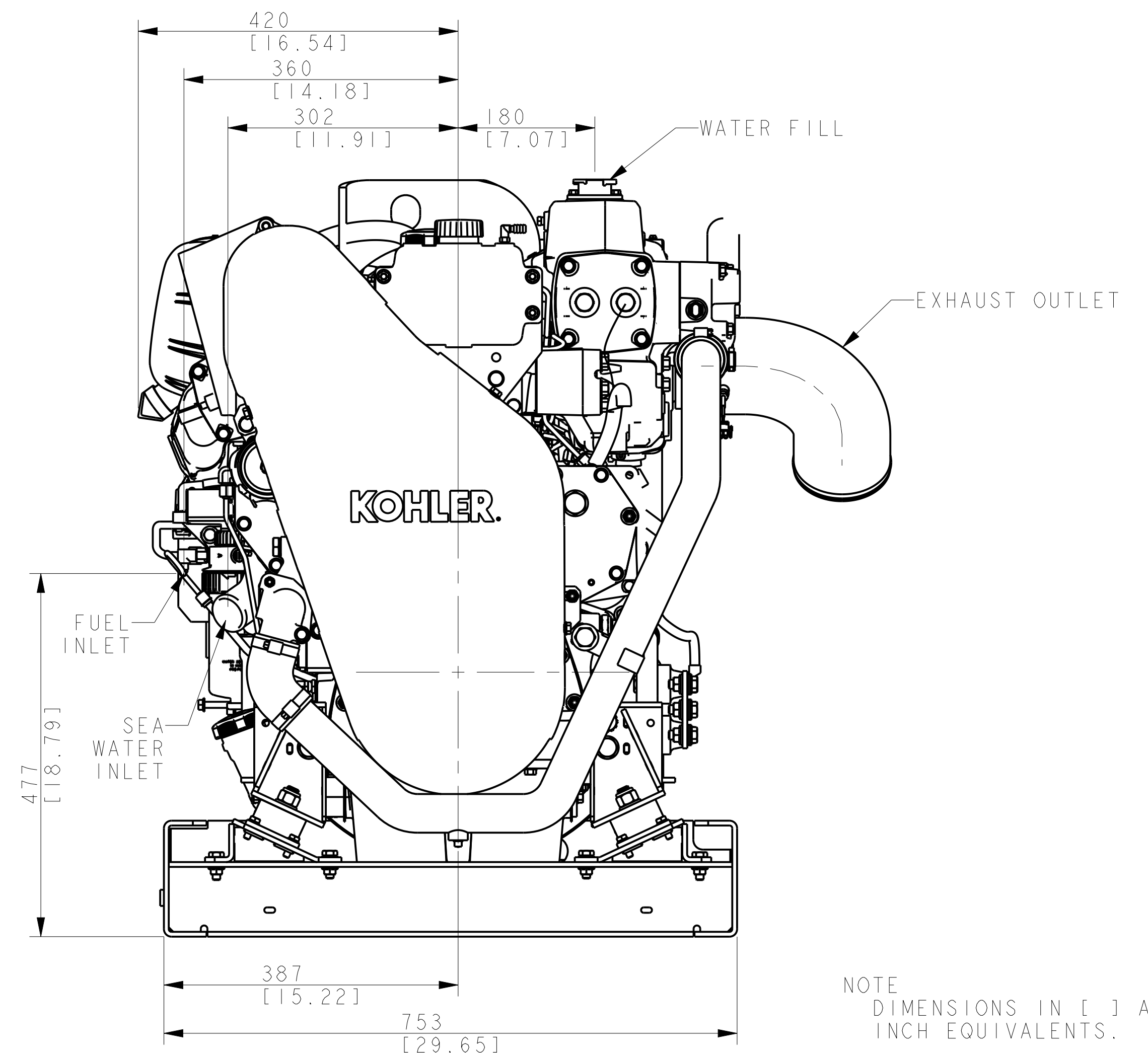
1657 [65.24] 80EOZDJ/70EFOZDJ

1732 [68.19] 99EOZDJ/80EFOZDJ

TIER III
80EOZDJ/70EFOZDJ
99EOZDJ/80EFOZDJ
JOHN DEERE MARINE

MODEL	WEIGHT		C.O.B. (DIM "X")
	WET -KG [LBS]	DRY - KG [LBS]	MM [IN]
80EOZDJ/70EFOZDJ	1127 [2485]	1091 [2405]	873 [34.40]
99EOZDJ/80EFOZDJ	1223 [2695]	1186 [2615]	911 [35.85]

NOTE
CENTER OF BALANCE DIMENSION IS TAKEN
FROM REAR OF ALTERNATOR END BRACKET.



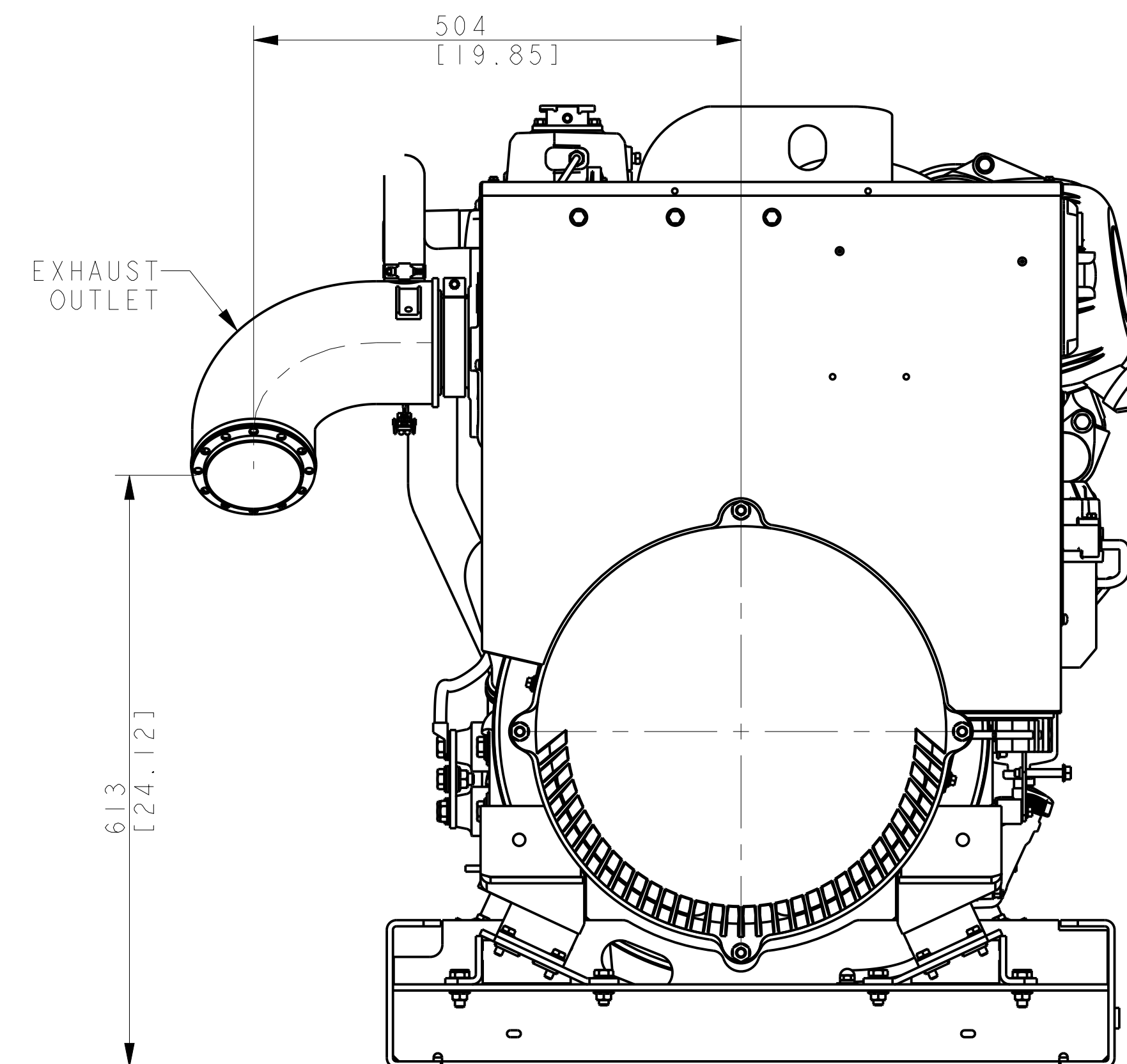
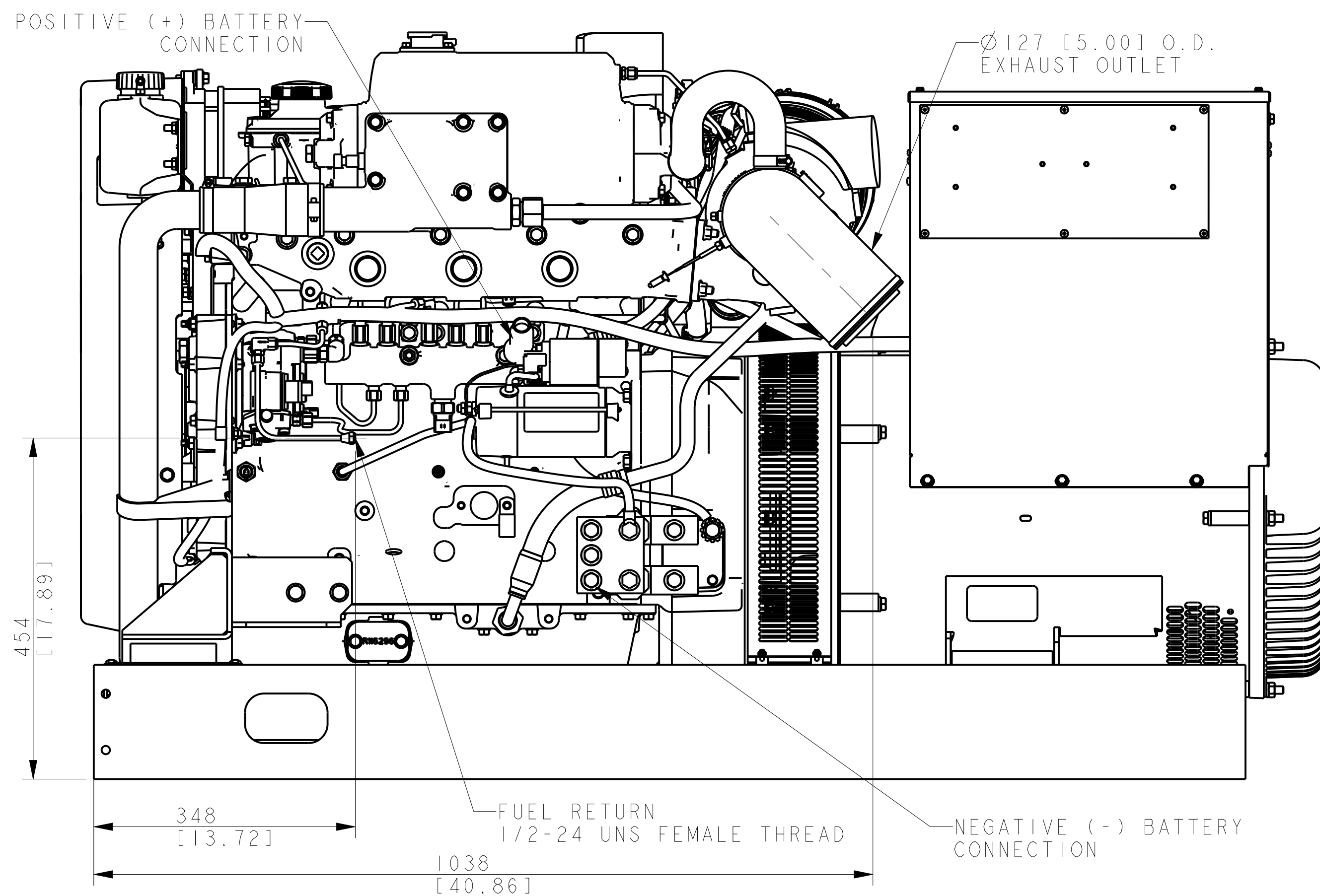
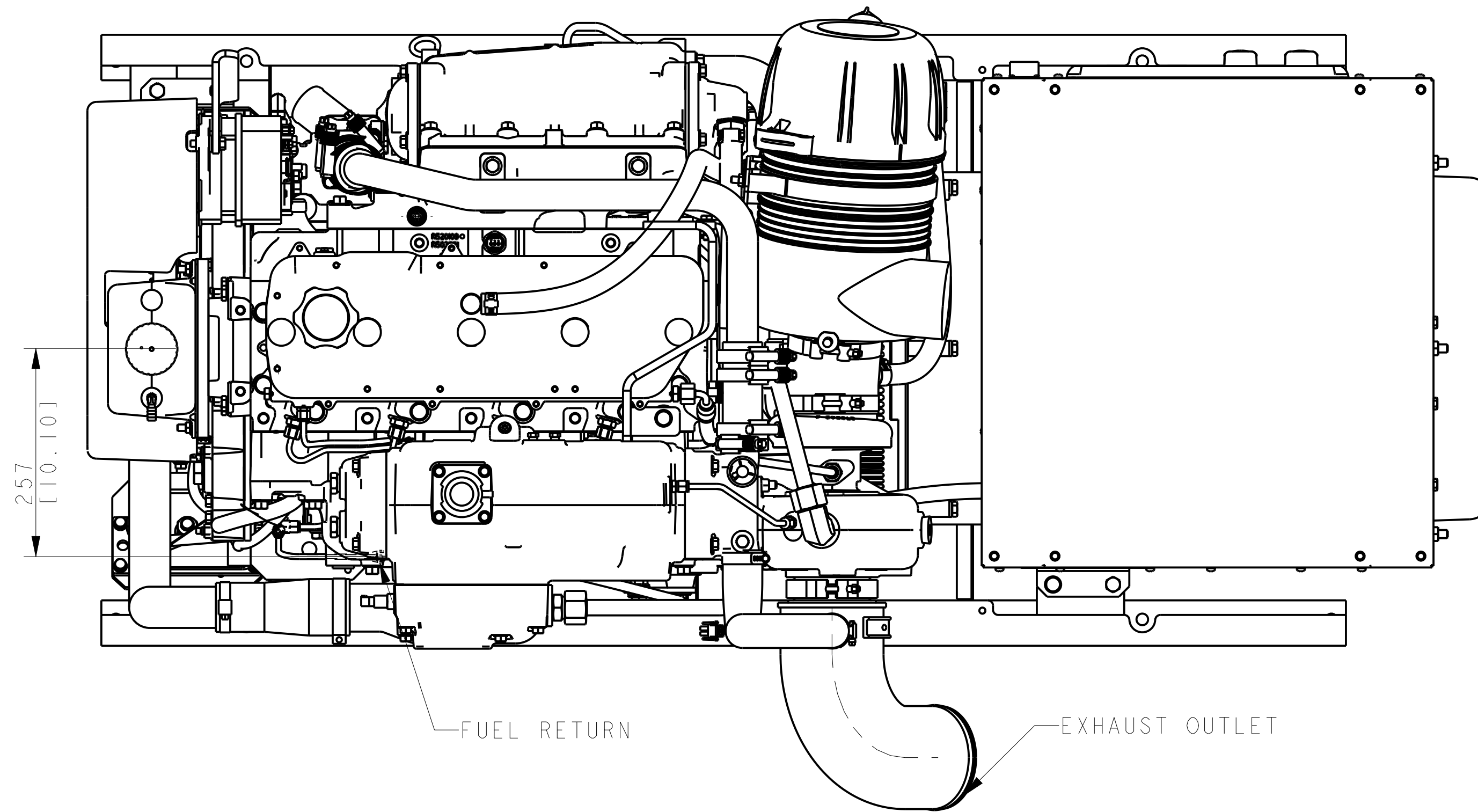
NOTE
DIMENSIONS IN [] ARE
INCH EQUIVALENTS.

REV	DATE	ON COMPOSITE DWGS. SEE PART NO. FOR REVISION LEVEL	BY	UNLESS OTHERWISE SPECIFIED - 1) DIMENSIONS ARE IN MILLIMETERS 2) TOLERANCES ARE:
-	1-17-13	NEW DRAWING [CT36613]	BTS	X.XX ± X.X ± ANGLES ±
A	1-29-14	(B-8) 916 [36.07] WAS 838 [32.99] [CT67146]	DDH	SURFACE FINISH MAX.
B	3-11-14	(D-2) WEIGHTS & COB ADDED TO 99EOZDJ/80EFOZDJ [CT74535]	DDH	THIRD ANGLE PROJECTION
C	10-9-17	(D-7) PRIMARY WAS SECONDARY. (C-8) SECONDARY WAS PRIMARY [CT179950]	AJW	APPROVALS
D	30APR2020	(D-1,2,3) WEIGHT AND C.O.B. VALUES UPDATED; (B-4) 995 WAS 999, 423 WAS 424 [CT203725]	TKK	DATE
				DRAWN BTS 1-17-13
				CHECKED DDH 1-17-13
				APPROVED JAL 1-17-13

KOHLER CO. METRIC PRO-E
POWER SYSTEMS, KOHLER, WI 53044 U.S.A.
THIS DRAWING IN DESIGN AND DETAIL IS KOHLER CO.
PROPERTY AND MUST NOT BE USED EXCEPT IN
CONNECTION WITH KOHLER CO. WORK. ALL RIGHTS OF
DESIGN OR INVENTION ARE RESERVED.

TITLE
DIMENSION PRINT, 80-99EOZDJ JD MARINE

SCALE 0.20 CAD NO. SHEET 1 of 2
DWG NO. **ADV-8506**



REV	DATE	ON COMPOSITE DWGS. SEE PART NO. FOR REVISION LEVEL	BY
-	1-17-13	NEW DRAWING [CT36613]	BTS
A	1-29-14	SEE SHEET 1 [CT67146]	DDH
B	3-11-14	(C-5) Ø127 [5.00] WAS Ø102 [4.00]; (A-6) 1038 [40.86] WAS 1017 [40.05]; (B-4) 613 [24.12] WAS 633 [24.92]; (C-3) 504 [19.85] WAS 473 [18.63] [CT74535]	
C	10-9-17	SEE SHEET 1 OF 2 [CT179950]	DDH
D	30APR2020	SEE SHEET 1 [CT203725]	TKK

APPROVALS	DATE
DDH	1-17-13
AJW	1-17-13
TKK	1-17-13
JAL	1-17-13

UNLESS OTHERWISE SPECIFIED -
1) DIMENSIONS ARE IN MILLIMETERS
2) TOLERANCES ARE:
X.XX ±
X.X ±
X ±
ANGLES ±

THIRD ANGLE PROJECTION

KOHLER CO. METRIC PRO-E
POWER SYSTEMS, KOHLER, WI 53044 U.S.A.
THIS DRAWING IN DESIGN AND DETAIL IS KOHLER CO. PROPERTY AND MUST NOT BE USED EXCEPT IN CONNECTION WITH KOHLER CO. WORK. ALL RIGHTS OF DESIGN OR INVENTION ARE RESERVED.

TITLE
DIMENSION PRINT, 80-99EOZDJ JD MARINE

SCALE 0.20 CAD NO. SHEET 2 of 2
DWG NO. **ADV-8506**