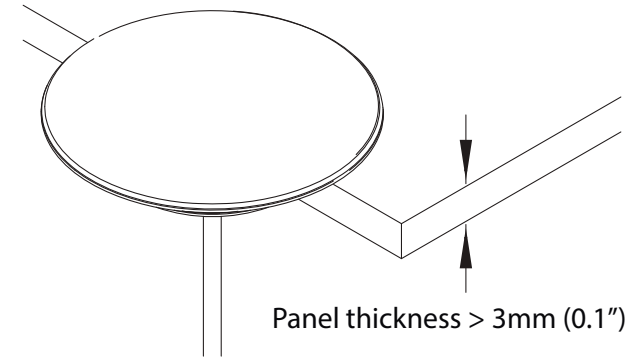
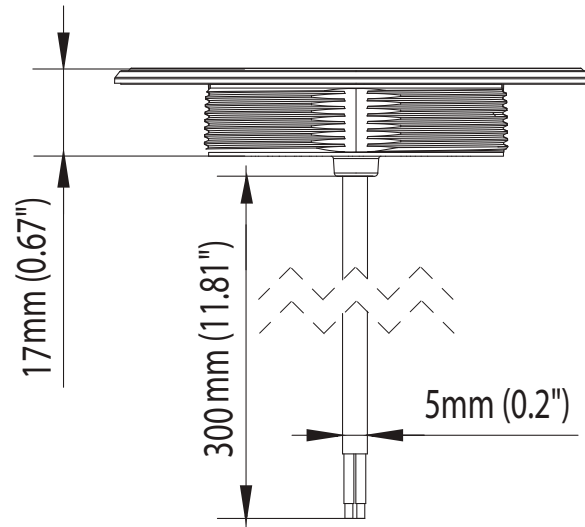
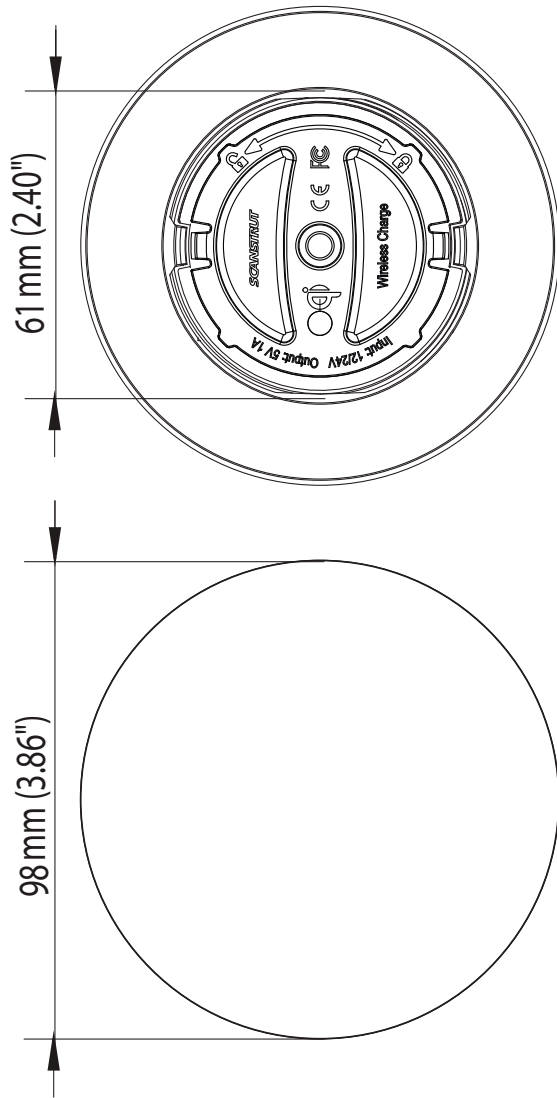


# ROKK Wireless - Sub - **SC-CW-07E**

Email: sales@scanstrut.com

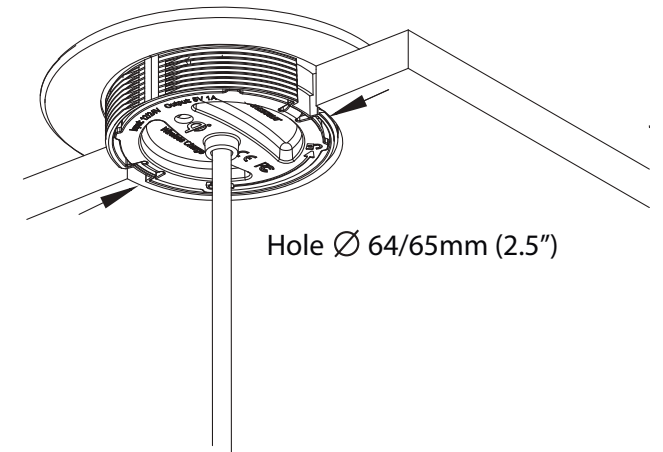
Email: usasales@scanstrut.com



## Electrical info:

- Input Voltage Range: 10-30V DC (12/24V system)
- Input current max: 1.5A
- Output Power: 5W (5V,1A)
- Standby Power Draw : < 0.03W
- Qi, CE, FCC, ROHS Certified.

Waterproof Rating: IPX6



**SCANSTRUT**