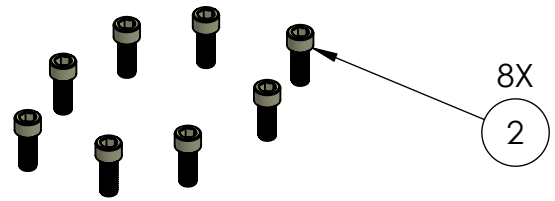
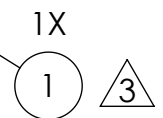
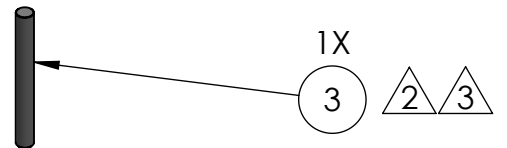
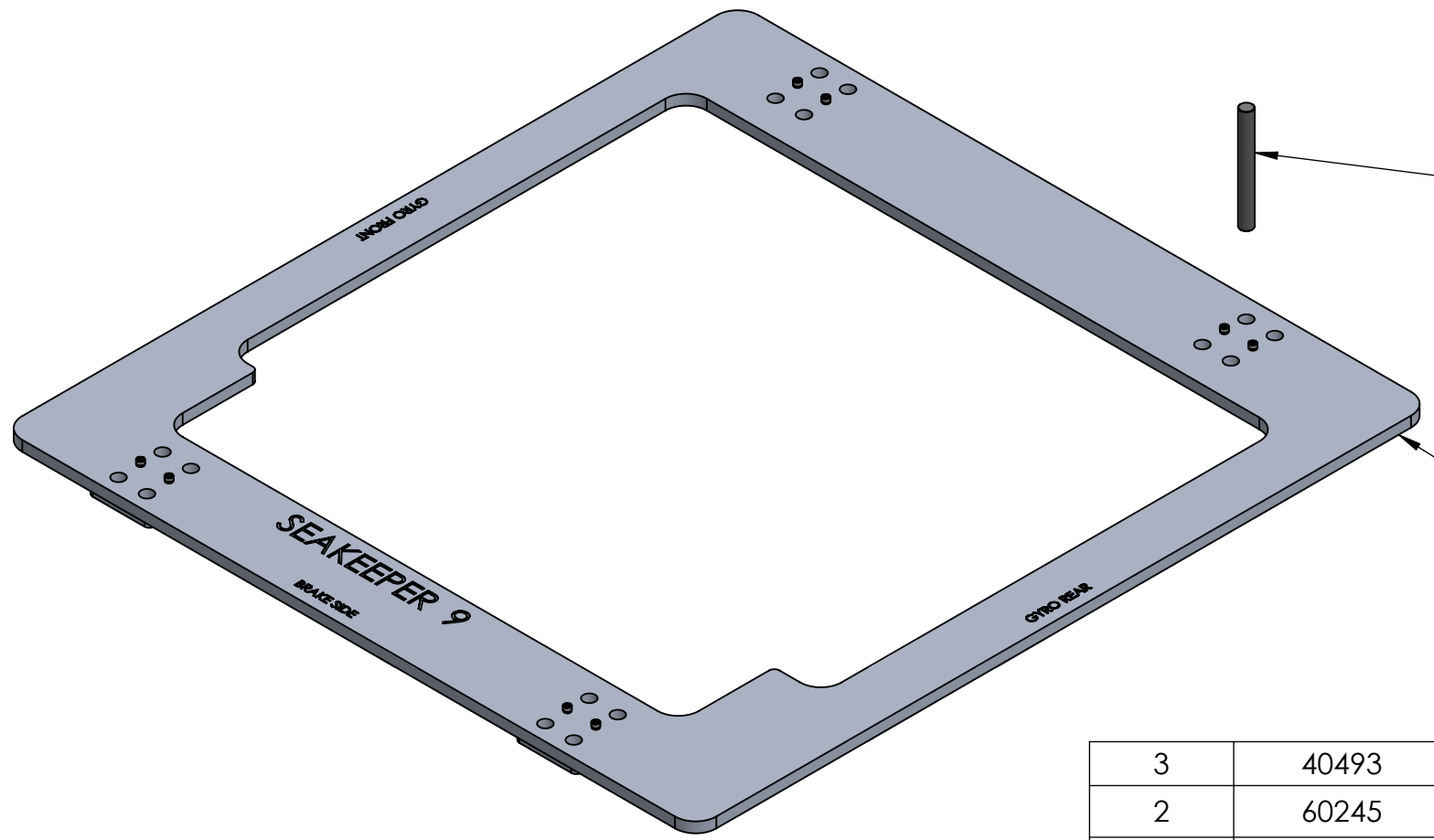



REV NO.	ECN NO.	ZONE	DESCRIPTION	DATE	APPRVD.
1			RELEASED FOR PRODUCTION	06-FEB-2014	RSK
2			ADDED TRANSFER PUNCH	3/19/2015	RSK
3	0330		ITEM 1 WAS CHANGED TO MATCH INSTALL DWGS, BOLT CLEARANCE HOLES MADE SMALLER, TRANSFER PUNCH WAS .609 DIA.	9/14/2015	SAC



8X THESE CAP SCREWS SHOULD BE USED TO ATTACH THE INSTALLATION TEMPLATE (90237) TO EITHER THE INSERT PLATE OR SADDLE TYPE FOUNDATIONS FOR ALIGNMENT AND INSTALLATION ASISTANCE OF THESE FOUNDATIONS ONLY. **THEY SHOULD NOT BE USED IN THE ACTUAL INSTALLMENT OF THE GYRO MOUNTING.**



3	40493	14.5mm TRANSFER PUNCH	HARDENED STEEL	1
2	60245	SCREW, SOCKET HD CAP M14-2.0 X 35MM CLASS 10.9	ALLOY STL	8
1	90237	SEAKEEPER 9 GYRO INSTALLATION BOLT PATTERN TEMPLATE	SEE BOM	1
ITEM NO.	PART NO.	DESCRIPTION	MATERIAL	QTY.

PROPRIETARY AND CONFIDENTIAL		 Seakeeper Inc. 44425 Pecan Court, Suite 151 California, MD 20619 NAME:	
THE INFORMATION CONTAINED IN THIS DRAWING IS THE SOLE PROPERTY OF SEAKEEPER INCORPORATED. ANY REPRODUCTION IN PART OR AS A WHOLE WITHOUT THE WRITTEN PERMISSION OF SEAKEEPER IS PROHIBITED.			
WEIGHT - LBS:	22	SEAKEEPER 9 INSTALLATION TEMPLATE KIT	
MATERIAL:		DRAWN: PRA DATE: 06FEB14	DWG NUMBER
		ENG APPR: RSK DATE: 06FEB14	90253
		PROD APPR: DATE:	REV. NO. SHEET NO. 3 1 OF 1