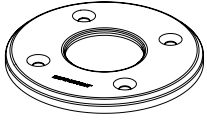
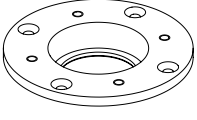
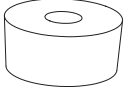
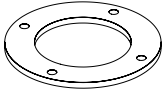

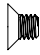
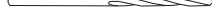

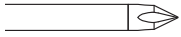
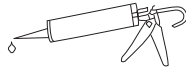



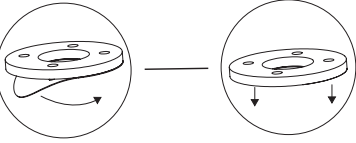
Parts List

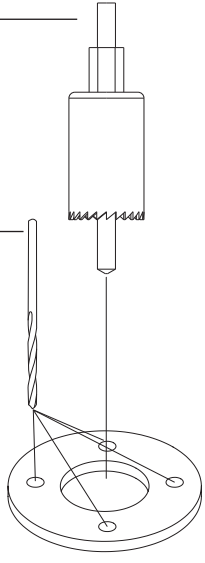
		
Top x1	Base x1	Bungs x4
		
Gasket x1	No.6 x 19mm Screw x4	M4 x 6mm Countersunk Bolt x4

Tools Required

		
ø2.5mm (3/32") ø3mm (1/18") Drill Bit	ø44mm (1 3/4") Hole Saw/Drill Bit	Pozi Screwdriver
		
Silicone	Optional: Thread Lock	

① 44mm (1 3/4")

② 

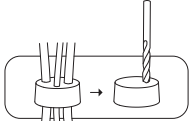
③ 

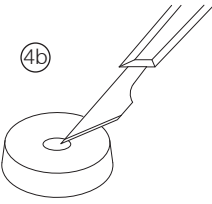
**Suggested pilot holes**

Material	Drill	Fixing
<b>Soft Material</b> e.g. plywood	2.5mm (3/32")	No.6 Screw (Included)
<b>Hard Material</b> e.g. fiberglass, hardwoods, acrylics	3mm (1/8")	
<b>Metal</b> e.g. Steel, aluminium	4mm (5/32")	<u>Recommended</u> >12mm x M4 Countersunk Bolt with washer and Nyloc (Not included)

④ Choose bung closest to cable ø.

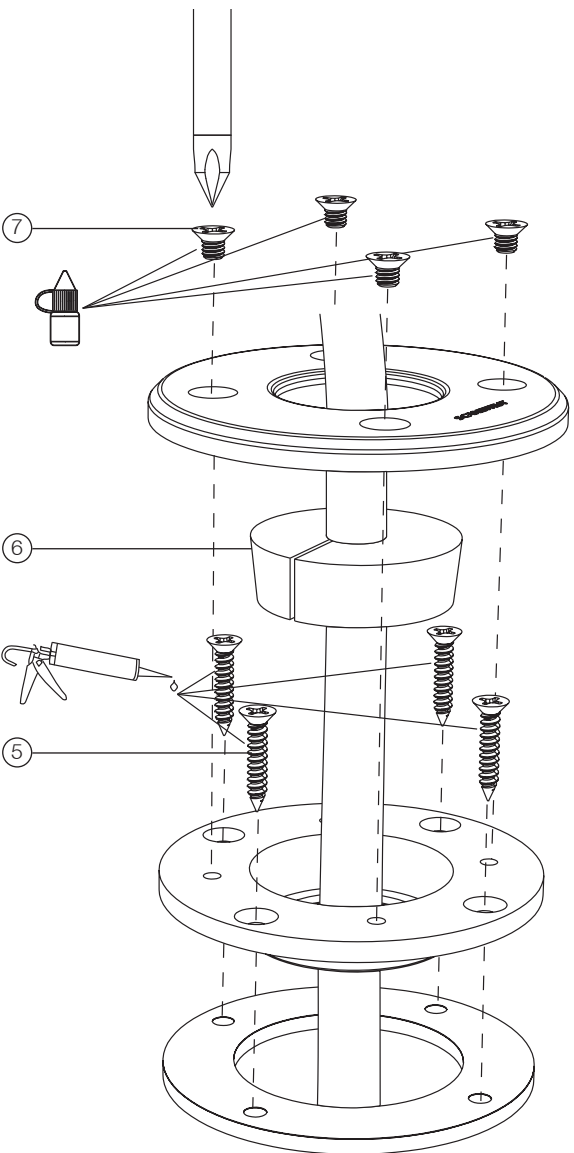
DE - Wähle Dichtung nahe dem Kabel ø.  
IT - Scegliere il passafili adatto al ø del cavo.  
ES - Elija el tapón con el diámetro más parecido al cable.  
FR - Choisissez le joint le plus proche du diamètre du câble.

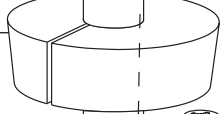
④a 

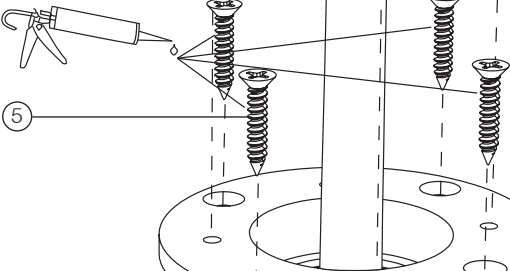
④b 

4mm (MIN)  
(0.16")

ø MAX 22mm (0.86")  
ø MIN 2mm (0.07")

⑦ 

⑥ 

⑤ 

UK & International  
+44 (0)1392531280  
sales@scanstrut.com

For further installation  
and warranty information  
please visit:  
www.scanstrut.com

USA  
+1 860 308 1416  
usasales@scanstrut.com