

10. FOR SPECIFIC INFORMATION CONTACT SALES.
9. COMPLETE ASSEMBLY WEIGHT W/ DECK RING, 56.7LBS/ 25.7K.
8. DOGGING PRESSURE FULLY ADJUSTABLE.
7. HANDLE POSITION TOPSIDE INDICATES WHETHER DOGGING MECHANISM IS IN OPEN OR CLOSED POSITION.
6. ALUMINUM ALLOY MECHANISM SHOWN.
5. FLUSH, WATERTIGHT CONSTRUCTION.
4. INTEGRAL TOPSIDE "T" HANDLE STANDARD, OTHER TOPSIDE ACTUATION AVAILABLE.
3. CAST ALUMINUM ALLOY FLANGE, FLANGE CAN BE DRILLED FOR BOLTED INSTALLATIONS OR WELDED TO ALUMINUM.
2. QUICK-ACTING, MECHANISM ENGAGES OR DISENGAGES IN QUARTER-TURN OF CENTER SPINDLE.
1. 24.5" X 24.5" CLEAR OPENING, ALL DIMENSIONS SHOWN SUBJECT TO CASTING VARIATION AND ARE REFERENCE ONLY.

NOTES: UNLESS OTHERWISE SPECIFIED.

[253] 4X R10.0 OVERALL

[179] 7.0

[610+5.08/0] 24.0+0.20/-0.00 CLEAR OPENING

[610+5.08/0] 24.0+0.20/-0.00 CLEAR OPENING

[698] 27.5 ROUGH OPENING

[206] 4X R8.1 ROUGH OPENING

[698] 27.5 ROUGH OPENING

[170+5.08/0] 4X R6.7+0.20/-0.00 CLEAR OPENING

REV.	DESCRIPTION:	DATE:	DRAWN:
-	INITIAL RELEASE	23OCT96	MWF
A	REVISE SKETCH DIMENSIONS	19MAY98	DMH
B	TOTAL REDRAW AND REFORMAT IN SOLIDWORKS	05JAN05	GJM
C	UPDATE TO CORRECT CAST RING PROFILE	26OCT10	GJM
D	UPDATE GEN. NOTES & B.O.M.	24OCT11	PPC

SPECIFICATIONS SUBJECT TO CHANGE WITHOUT NOTICE.

PROJECTION

UNLESS OTHERWISE SPECIFIED DIMENSIONS ARE IN INCHES. TOLERANCES FOR ROUGH AND CLEAR OPENINGS: .125 INCH. ALL OTHERS ARE:
 .X .XX .XXX ANGLES
 ±.1 ±.03 ±.010 ±2°
 DO NOT SCALE DRAWING

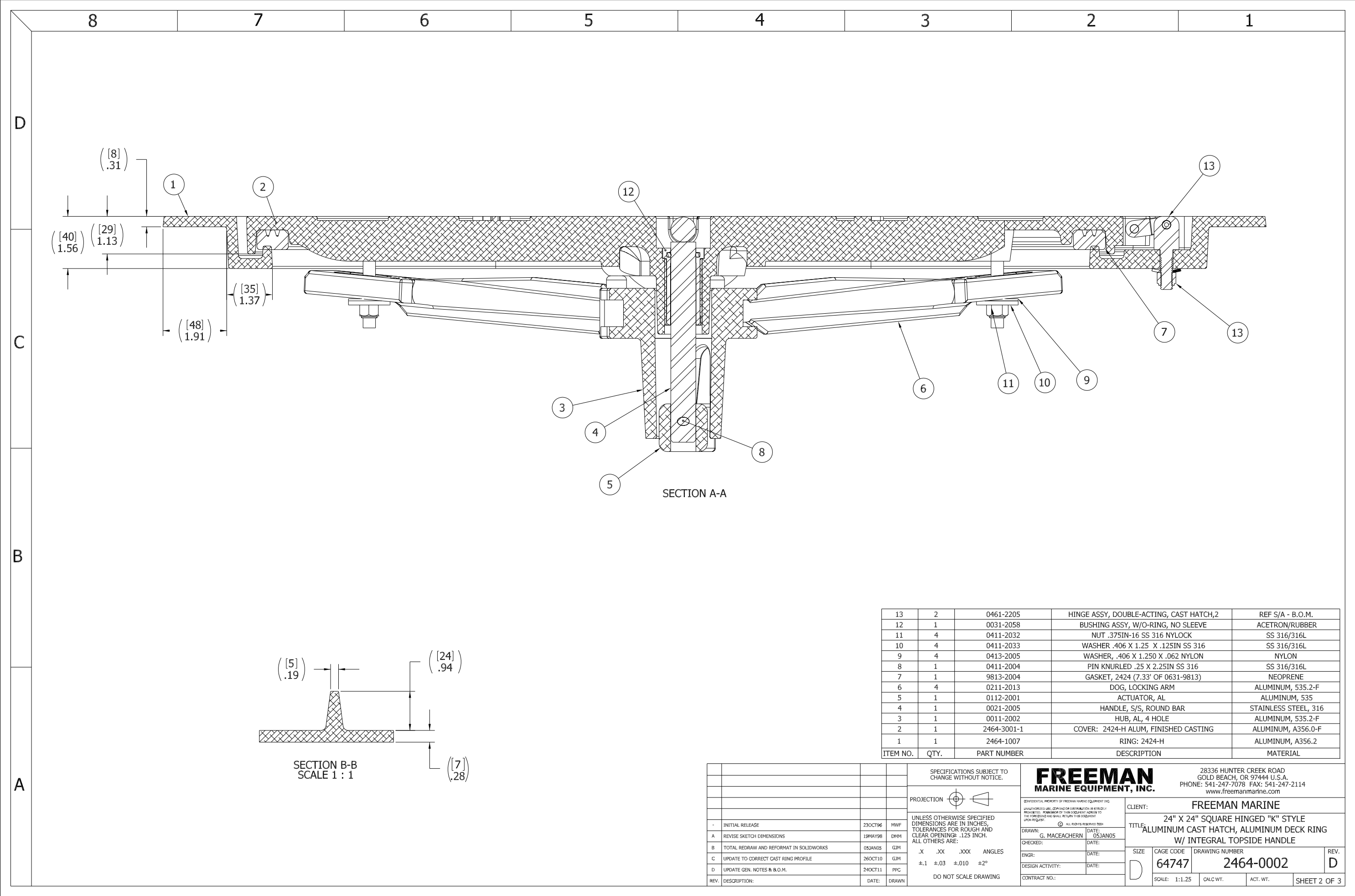
FREEMAN MARINE EQUIPMENT, INC.
 28336 HUNTER CREEK ROAD
 GOLD BEACH, OR 97444 U.S.A.
 PHONE: 541-247-7078 FAX: 541-247-2114
 www.freemanmarine.com

CLIENT: **FREEMAN MARINE**

TITLE: **24" X 24" SQUARE HINGED "K" STYLE ALUMINUM CAST HATCH, ALUMINUM DECK RING W/ INTEGRAL TOPSIDE HANDLE**

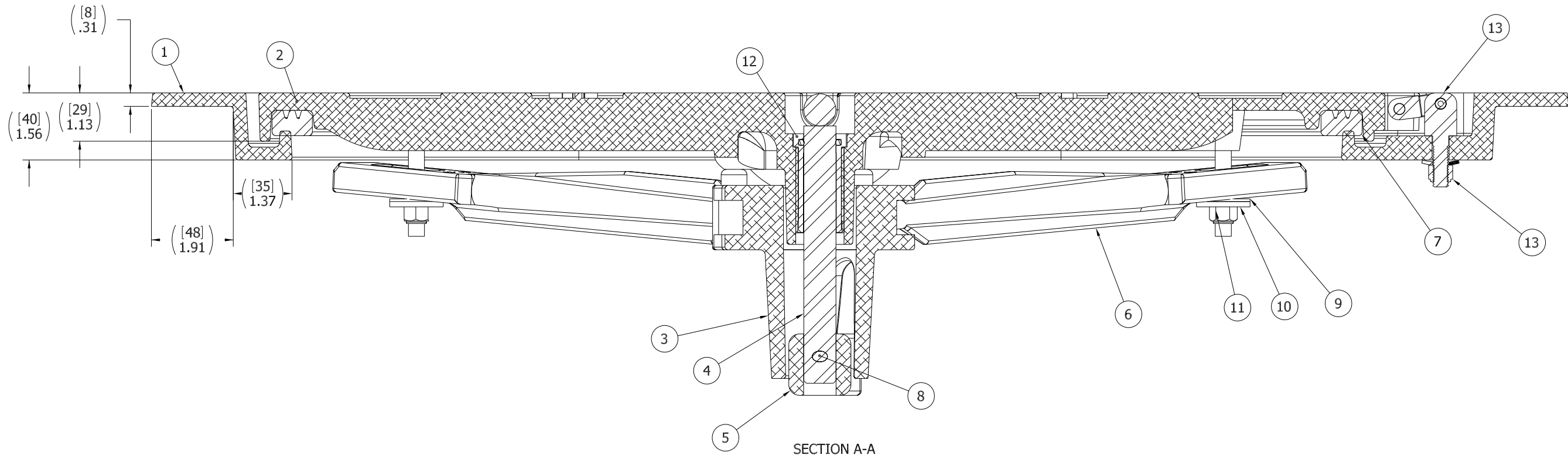
SIZE	CAGE CODE	DRAWING NUMBER	REV.
D	64747	2464-0002	D

SCALE: 1:3 CALC. WT. ACT. WT. SHEET 1 OF 3

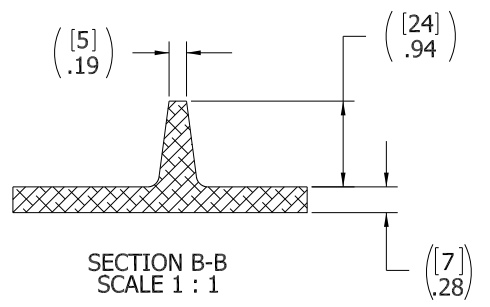


D
C
B
A

8 7 6 5 4 3 2 1



SECTION A-A



SECTION B-B
SCALE 1 : 1

ITEM NO.	QTY.	PART NUMBER	DESCRIPTION	MATERIAL
13	2	0461-2205	HINGE ASSY, DOUBLE-ACTING, CAST HATCH,2	REF S/A - B.O.M.
12	1	0031-2058	BUSHING ASSY, W/O-RING, NO SLEEVE	ACETRON/RUBBER
11	4	0411-2032	NUT .375IN-16 SS 316 NYLOCK	SS 316/316L
10	4	0411-2033	WASHER .406 X 1.25 X .125IN SS 316	SS 316/316L
9	4	0413-2005	WASHER, .406 X 1.250 X .062 NYLON	NYLON
8	1	0411-2004	PIN KNURLED .25 X 2.25IN SS 316	SS 316/316L
7	1	9813-2004	GASKET, 2424 (7.33' OF 0631-9813)	NEOPRENE
6	4	0211-2013	DOG, LOCKING ARM	ALUMINUM, 535.2-F
5	1	0112-2001	ACTUATOR, AL	ALUMINUM, 535
4	1	0021-2005	HANDLE, S/S, ROUND BAR	STAINLESS STEEL, 316
3	1	0011-2002	HUB, AL, 4 HOLE	ALUMINUM, 535.2-F
2	1	2464-3001-1	COVER: 2424-H ALUM, FINISHED CASTING	ALUMINUM, A356.0-F
1	1	2464-1007	RING: 2424-H	ALUMINUM, A356.2

REV.	DESCRIPTION	DATE	DRAWN
-	INITIAL RELEASE	23OCT96	MWF
A	REVISE SKETCH DIMENSIONS	19MAY98	DM
B	TOTAL REDRAW AND REFORMAT IN SOLIDWORKS	05JAN05	GJM
C	UPDATE TO CORRECT CAST RING PROFILE	26OCT10	GJM
D	UPDATE GEN. NOTES & B.O.M.	24OCT11	PPC

SPECIFICATIONS SUBJECT TO CHANGE WITHOUT NOTICE.

PROJECTION

UNLESS OTHERWISE SPECIFIED DIMENSIONS ARE IN INCHES. TOLERANCES FOR ROUGH AND CLEAR OPENINGS: .125 INCH. ALL OTHERS ARE:
 .X .XX .XXX ANGLES
 ±.1 ±.03 ±.010 ±2°

DO NOT SCALE DRAWING

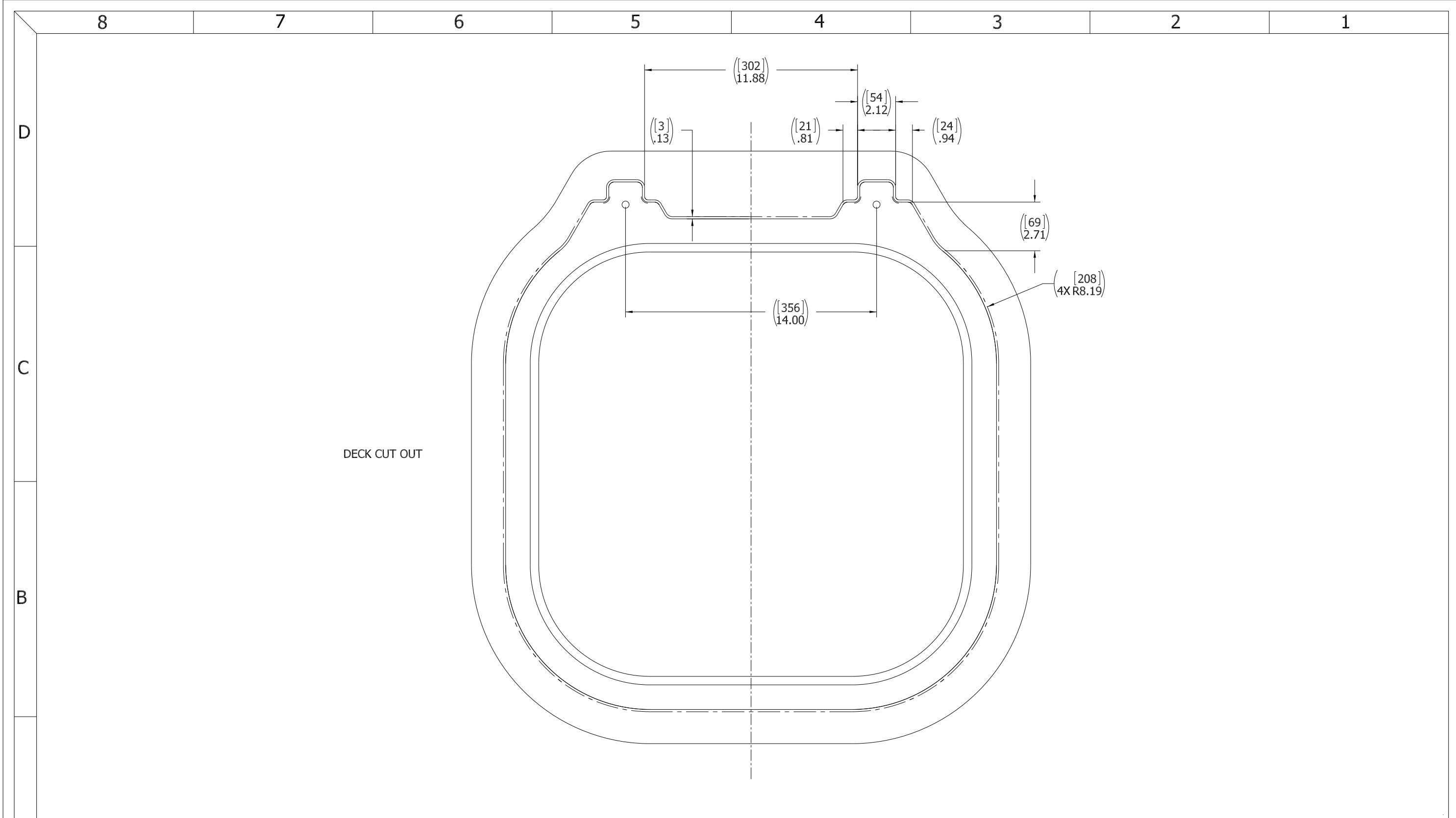
FREEMAN MARINE EQUIPMENT, INC.
 28336 HUNTER CREEK ROAD
 GOLD BEACH, OR 97444 U.S.A.
 PHONE: 541-247-7078 FAX: 541-247-2114
 www.freemanmarine.com

CLIENT: **FREEMAN MARINE**

TITLE: **24" X 24" SQUARE HINGED "K" STYLE ALUMINUM CAST HATCH, ALUMINUM DECK RING W/ INTEGRAL TOPSIDE HANDLE**

SIZE: **D** CAGE CODE: **64747** DRAWING NUMBER: **2464-0002** REV: **D**

SCALE: 1:1.25 CALC. WT. ACT. WT. SHEET 2 OF 3



DECK CUT OUT

A

- 3. FINISH: 125 RMS MAX.
- 2. BREAK SHARP EDGES AND DEBURR.
- 1. MATERIAL: REF. S/A - B.O.M.

NOTES: UNLESS OTHERWISE SPECIFIED.

CUSTOMER APPROVAL

Signature: _____
Date: _____

IMPORTANT! THIS DRAWING SUPERSEDES ALL OTHER DOCUMENTS. By signing this approval you accept and agree that the dimensions and details shown are correct and properly fit your application, regardless of any differences between this drawing and any contract specifications. Should you see any errors in the drawing, or have any questions, please contact your Freeman Marine sales engineer for clarification.

REV.	DESCRIPTION:	DATE:	DRAWN:
-	INITIAL RELEASE	23OCT96	MWF
A	REVISE SKETCH DIMENSIONS	19MAY98	DMM
B	TOTAL REDRAW AND REFORMAT IN SOLIDWORKS	05JAN05	GJM
C	UPDATE TO CORRECT CAST RING PROFILE	26OCT10	GJM
D	UPDATE GEN. NOTES & B.O.M.	24OCT11	PPC

SPECIFICATIONS SUBJECT TO CHANGE WITHOUT NOTICE.		
PROJECTION		
UNLESS OTHERWISE SPECIFIED DIMENSIONS ARE IN INCHES. TOLERANCES FOR ROUGH AND CLEAR OPENINGS: .125 INCH. ALL OTHERS ARE:		
.X	.XX	.XXX ANGLES
±.1	±.03	±.010 ±2°
DO NOT SCALE DRAWING		

FREEMAN MARINE EQUIPMENT, INC.		28336 HUNTER CREEK ROAD GOLD BEACH, OR 97444 U.S.A. PHONE: 541-247-7078 FAX: 541-247-2114 www.freemanmarine.com	
<small>CONFIDENTIAL PROPERTY OF FREEMAN MARINE EQUIPMENT, INC. UNAUTHORIZED REPRODUCTION OR DISTRIBUTION IS STRICTLY PROHIBITED. ALL DIMENSIONS SHALL BE TO UNLESS OTHERWISE SPECIFIED. © ALL RIGHTS RESERVED 2012, FREEMAN MARINE EQUIPMENT, INC.</small>		CLIENT: FREEMAN MARINE	
DRAWN: G. MACEACHERN CHECKED: _____ ENGR: _____ DESIGN ACTIVITY: _____ CONTRACT NO.: _____		DATE: 05JAN05 DATE: _____ DATE: _____ DATE: _____	
TITLE: 24" X 24" SQUARE HINGED "K" STYLE ALUMINUM CAST HATCH, ALUMINUM DECK RING		REV. D	
SIZE: D		DRAWING NUMBER: 2464-0002	
CAGE CODE: 64747		SCALE: 1:2.5	
CALC. WT. _____		ACT. WT. _____	
SHEET 3 OF 3		SHEET 3 OF 3	