

Village Marine Seafari Versatile

450 - 1800 Gal/Day | 1705 - 6815 Lit/Day



Photograph courtesy of Sunseeker Yachts

Space Efficient Design

Along the coast or around the world, the Seafari Versatile is perfect for weekend fishing or blue water cruising. Its user-friendly operating system and rugged build withstands the ocean's harshest conditions, while maintaining its high level of quality.



Versatile - compact

Contact Information:

Parker Hannifin Corporation
Water Purification
2630 E. El Presidio Street
Carson, CA 90810

phone 310 608 5600
fax 310 608 5692
waterpurification@parker.com

www.parker.com/purification

Features & Benefits:

- Remote Mount Cube - for easy access to system controls
- Equipped with a failsafe Product Water Diversion Valve allowing only safe drinking water to enter storage tanks
- High rejection, high yield, commercial grade, and chemical resistant Membranes



Versatile - modular



ENGINEERING YOUR SUCCESS.

Specifications

Model	Per 24 Hours Gal / Lit	Per Hour Gal / Lit	Weight
450-1	450 / 1,705	18 / 70	118 lbs / 54 kg
700-1	700 / 2,650	26 / 110	125 lbs / 57 kg
900-1	900 / 3,405	38 / 140	136 lbs / 62 kg
900-2	900 / 3,405	38 / 140	136 lbs / 62 kg
1400-2	1,400 / 5,300	58 / 220	147 lbs / 67 kg
1800-2	1,800 / 6,815	75 / 285	150 lbs / 68 kg

HIGH PRESSURE PUMP MOTOR AND BOOSTER PUMP COMBINED AMP DRAW:

Model: 450-1 & 900-2 / 60 Hz

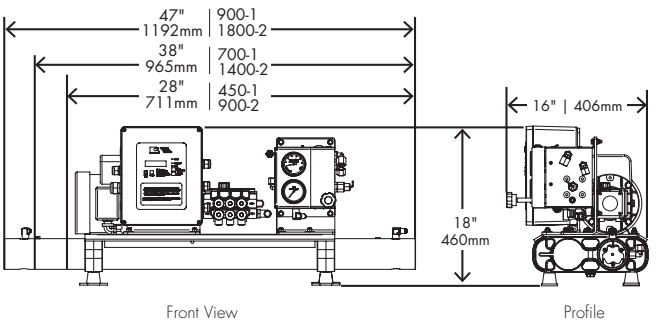
Phase	Hz	Voltage	HP	Running Amps	Start Up Amps
1	60	115	2.1	28	93
1	60	220	2.1	14	47
3	60	220	3	12	30
3	60	440	3	6	15

Model: 450-1, 700-1, 900-2, 1400-2 & 1800-2 / 50 – 60 Hz

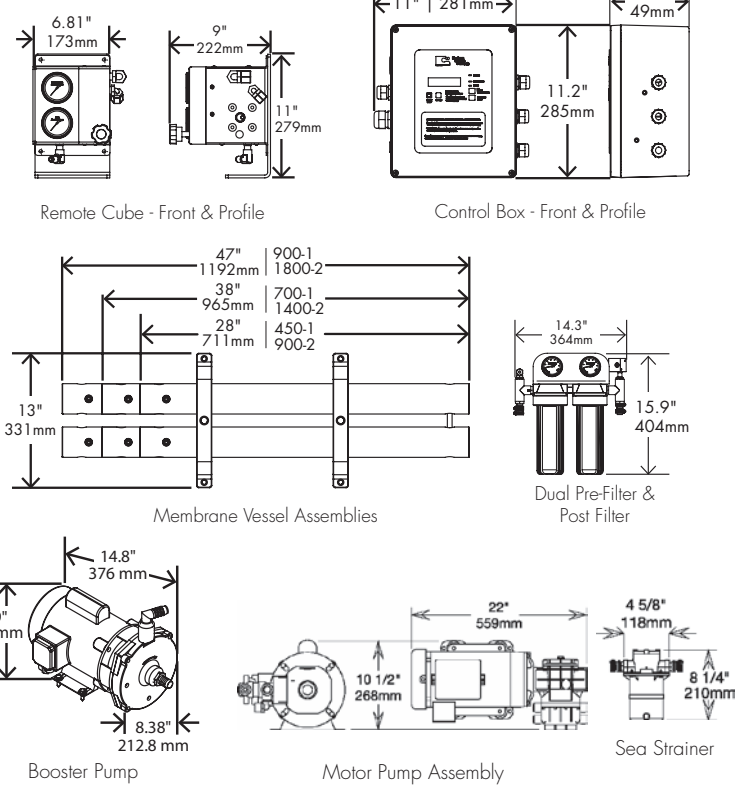
Phase	Hz	Voltage	HP	Running Amps	Start Up Amps
1	50/60	115	2.5	30	103
1	50/60	220	2.5	15	52
3	50/60	220	3	12	30
3	50/60	440	3	6	15

Dimensions

Self Contained



Modular



To maintain peak performance always use genuine Parker Village Marine replacement parts. We reserve the right to change our specifications or standards without notice.

WARNING: This product can expose you to chemicals including Di(2-ethylhexyl) phthalate (DEHP), which is known to the state of California to cause cancer and birth defects or other reproductive harm. For more information go to www.P65Warnings.ca.gov.

