

Connector Pin Assignment

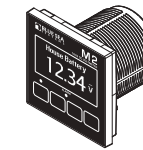
System Overview

M2 OLED Digital Monitor

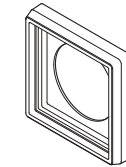
QuickStart Installation Guide

1833 DC Voltmeter

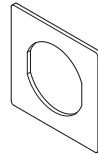
Components Included



M2 Head Unit



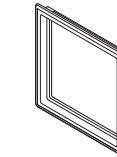
Surface Mount Bezel and Seal



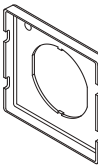
Surface Mount Gasket



Surface Mount Cover



Flat Mount Bezel



Flat Mount Clamp



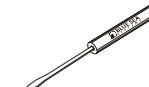
Mounting Ring



Mounting Nut

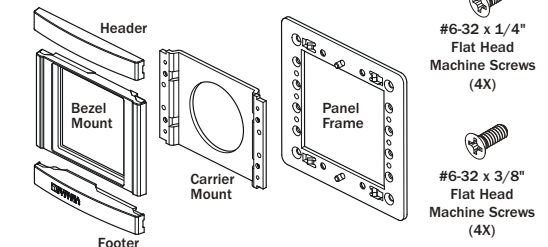


Connector



Screwdriver (retail package only)

360 Panel Mounting Kit PN 1525 sold separately



Connector Pin Assignment Table

8 Pin Connector*	Function
1 Required Connection	DC Negative
2 Required Connection	DC Supply/Battery 3 +
3	Relay DC Out to Load
4	Relay DC +/Battery 4 +
5	Battery 2 -
6	Battery 2 +
7	Battery 1 -
8	Battery 1 +
USB	Micro USB Port

*The 8 pin low voltage connector supports wire sizes from 16-26 AWG

M2 Meter Navigation

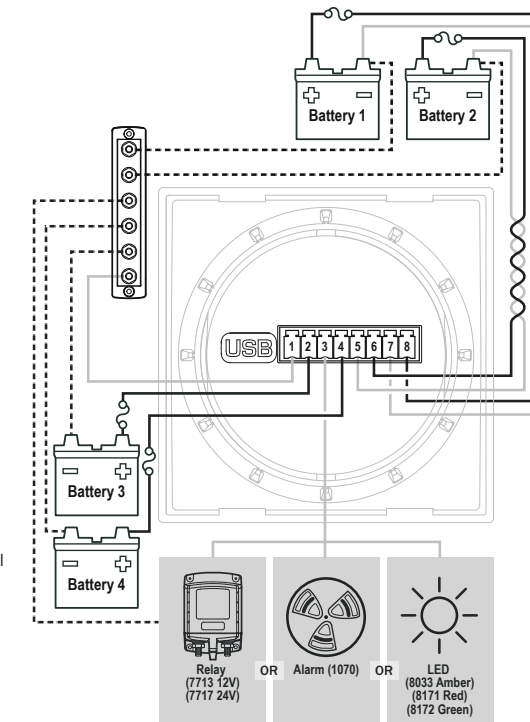
Screen Menu Functions

Press any button to bring up the menu.

1. After start-up, press any button to access the menu.
2. Press the UP or DOWN arrow buttons to scroll through menu windows.
3. To set alarms and for more detailed information, see the online manual at www.bluesease.com/products/1833



1833 DC Voltmeter Connections



For the online manual that includes other configurations, go to www.bluesease.com/products/1833

WARNING

The WARNING symbol refers to possible injury to the user or significant damage to the monitor if the user does not follow the procedures.

CAUTION

The CAUTION symbol refers to restrictions and rules with regard to preventing damage.

WARNING

- ✓ If you are not knowledgeable about electrical systems, have an electrical professional install this unit. The diagrams in these instructions pertain to the installation of the unit and not to the overall wiring of the vessel.

- ✓ Verify that no other DC or AC sources are connected to the vessel's wiring before installing the unit.

CAUTION

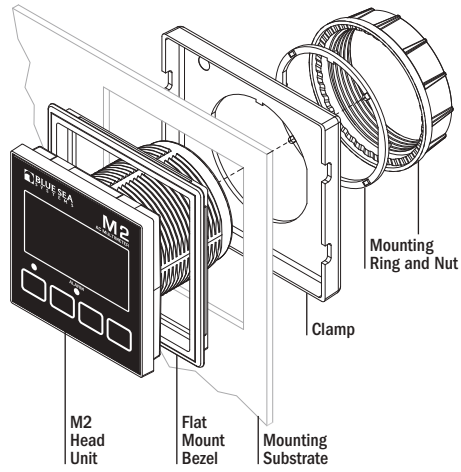
- ✓ The back of the unit is not waterproof. Do not install where the back of the monitor is exposed to water.

Warranty

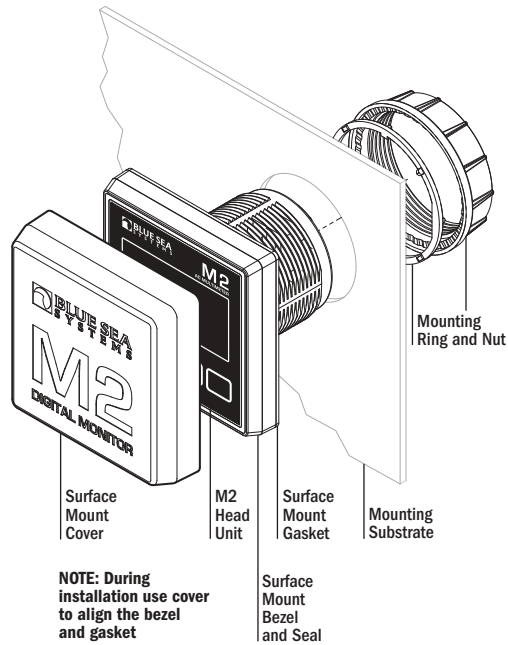
The M2 OLED Digital Meters come with a 5 year manufacturer's warranty. This means the meter is warranted to be free from defects in materials or workmanship for 5 years from the date of first purchase. The warranty is limited solely to the cost of repair or replacement of the M2 Meter product. Costs associated with labor or shipping of the defective parts are not covered. Blue Sea Systems cannot accept liability for damage due to the misuse of the M2 Meter.

Mounting Options

Flat Mount

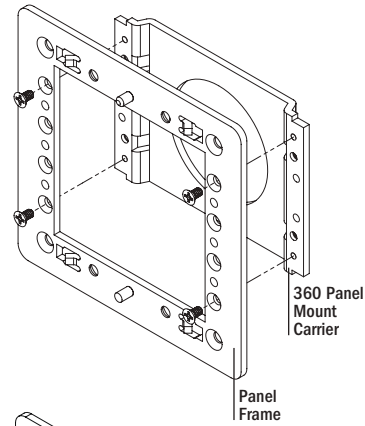


Surface Mount

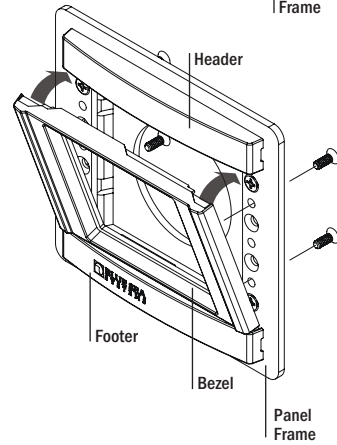


360 Panel Mount PN 1525 (If retrofit to existing panel)

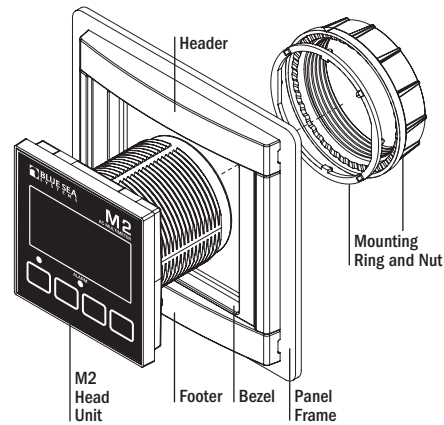
STEP 1
Use 1/4" Mounting Screws



STEP 2
Snap header and footer into mounting clips and post. Snap the mounting bezel into place with the flat edge up.



STEP 3



Mounting Templates

