

SHOCKWAVE

SHOCK MITIGATION SEATING

PRODUCT SPECIFICATIONS

SW-S2-1202-BM



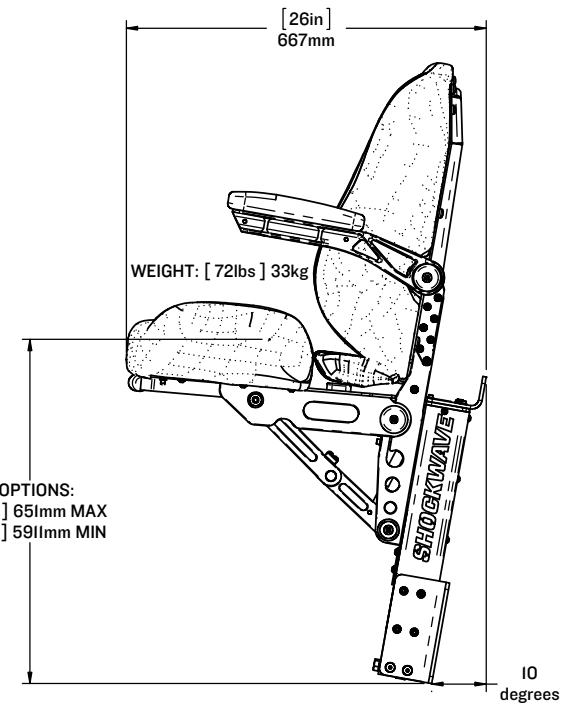
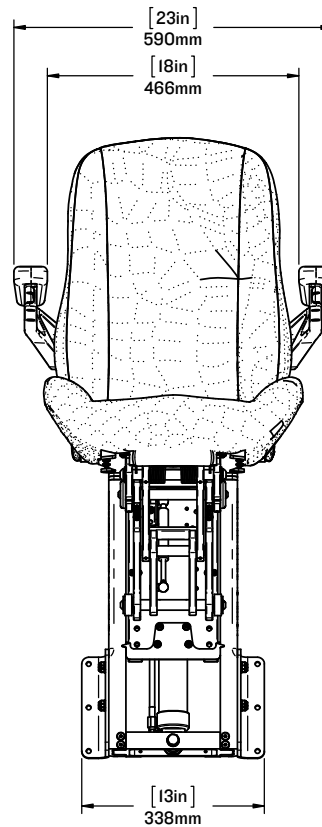
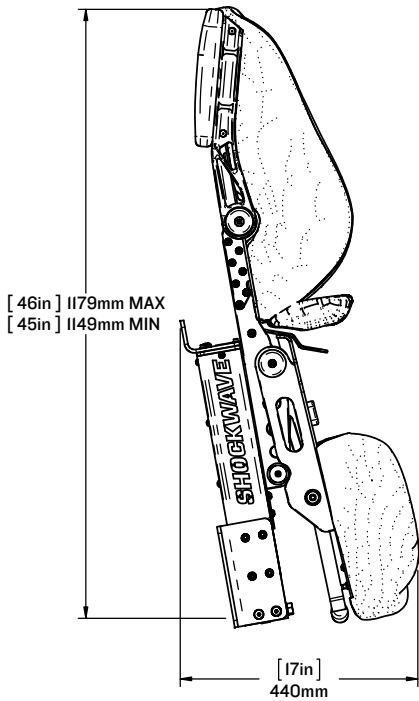
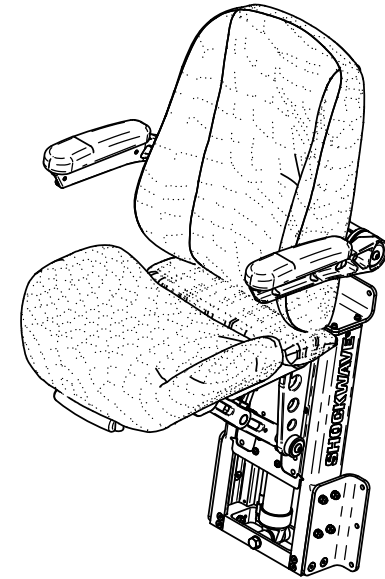
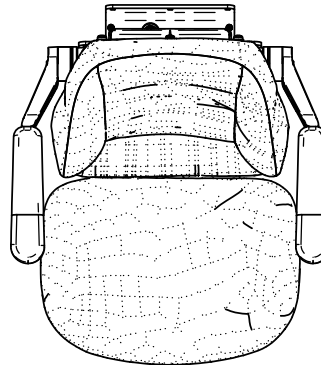
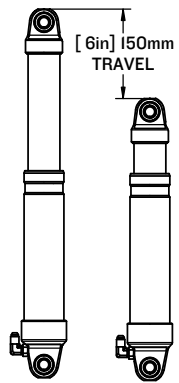
Corbin



FURUNO



LEARN MORE ABOUT OUR PRODUCTS AT
SHOCKWAVESEATS.COM



SEAT OPTIONS:
 [26in] 651mm MAX
 [23in] 591mm MIN

SHOCKWAVE

FOR MORE INFORMATION
 CALL US AT 250-656-6165
 OR VISIT US ONLINE AT
WWW.SHOCKWAVESEATS.COM

PROPRIETARY AND CONFIDENTIAL

NOTICE: THIS DRAWING MAY REVEAL DESIGNS OR INFORMATION PROPRIETARY TO PROFESSIONAL COMPONENTS LTD. BY ACCEPTANCE OF REPRODUCTIONS, RECIPIENTS AGREE TO PROTECT PROFESSIONAL COMPONENTS LTD. RIGHTS AND ARE WARNED AGAINST USE OF THE DOCUMENT FOR ANY PURPOSE OTHER THAN THAT FOR WHICH IT WAS ISSUED.

SW-S2-1202-BM

S2A MID BACK DROP DOWN BULKHEAD MOUNT SEAT

SCALE:1:14

SHEET 1 OF 1

REV: 00