

18-24 KW
KOHLER DIESEL

NOTE
DIMENSIONS IN [] ARE
INCH EQUIVALENTS.

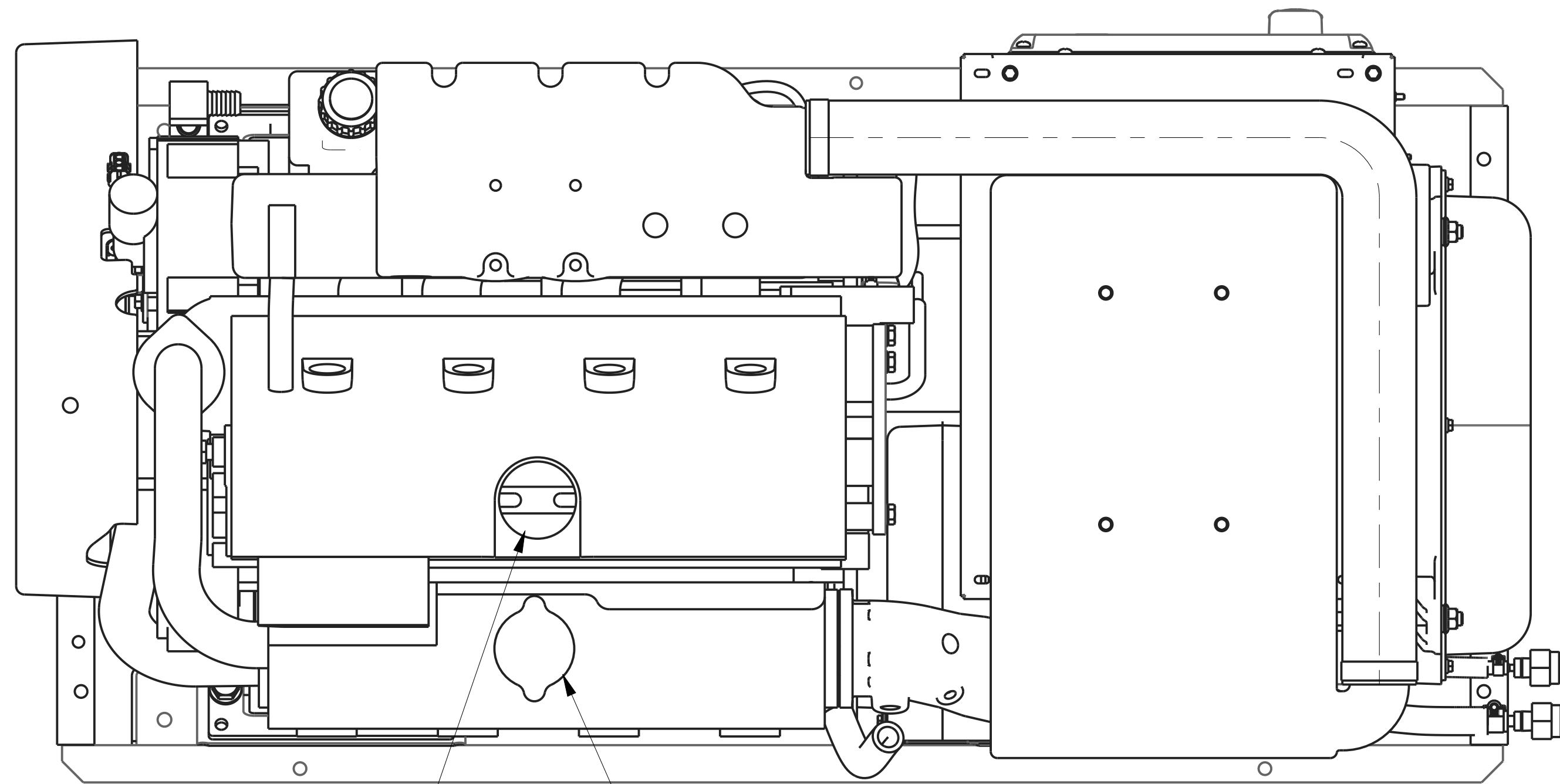
REV	DATE	ON COMPOSITE DWGS, SEE PART NO. FOR REVISION LEVEL	BY	UNLESS OTHERWISE SPECIFIED - 1) DIMENSIONS ARE IN MILLIMETERS 2) TOLERANCES ARE:
-	5-3-16	NEW DRAWING (CT144169)	RVM	XXX ± XX ± X ± ANGLES ±
				THIRD ANGLE PROJECTION
				APPROVALS
				DATE
				SCALE 0.30 CAD NO. SHEET 1 of 2
				DWG NO. ADV-8883

KOHLER CO. METRIC PRO-E
POWER SYSTEMS, KOHLER, WI 53044 U.S.A.
THIS DRAWING IN DESIGN AND DETAIL IS KOHLER CO. PROPERTY AND MUST NOT BE USED EXCEPT IN CONNECTION WITH KOHLER CO. WORK. ALL RIGHTS OF DESIGN OR INVENTION ARE RESERVED.

TITLE DIMENSION PRINT, 17-23 KW KDI MARINE

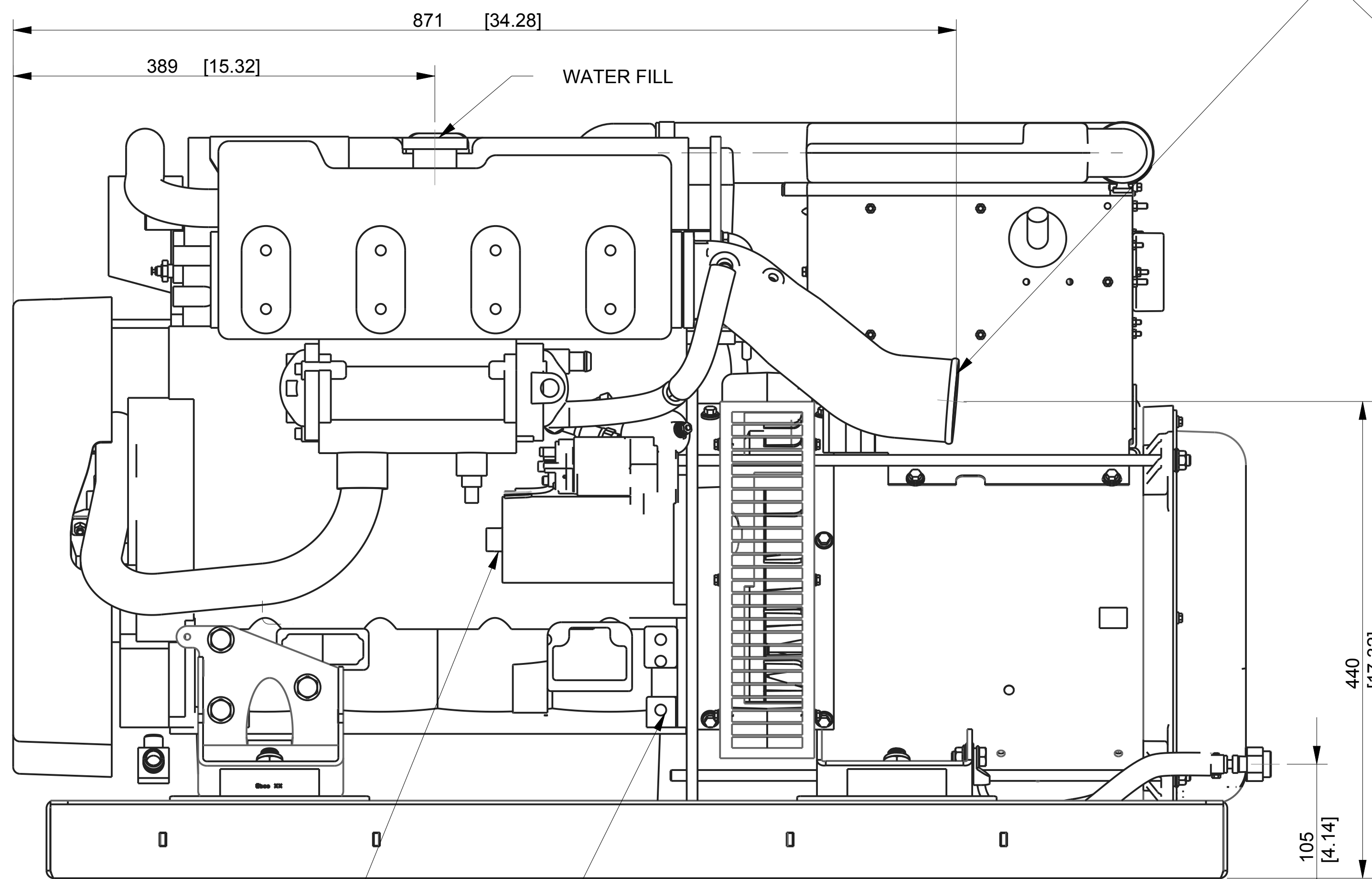
SCALE 0.30 CAD NO. SHEET 1 of 2

DWG NO. ADV-8883



OIL FILL

WATER FILL



M8x1.25 POSITIVE (+)
BATTERY CONNECTION

M12x1.75 NEGATIVE (-)
BATTERY CONNECTION

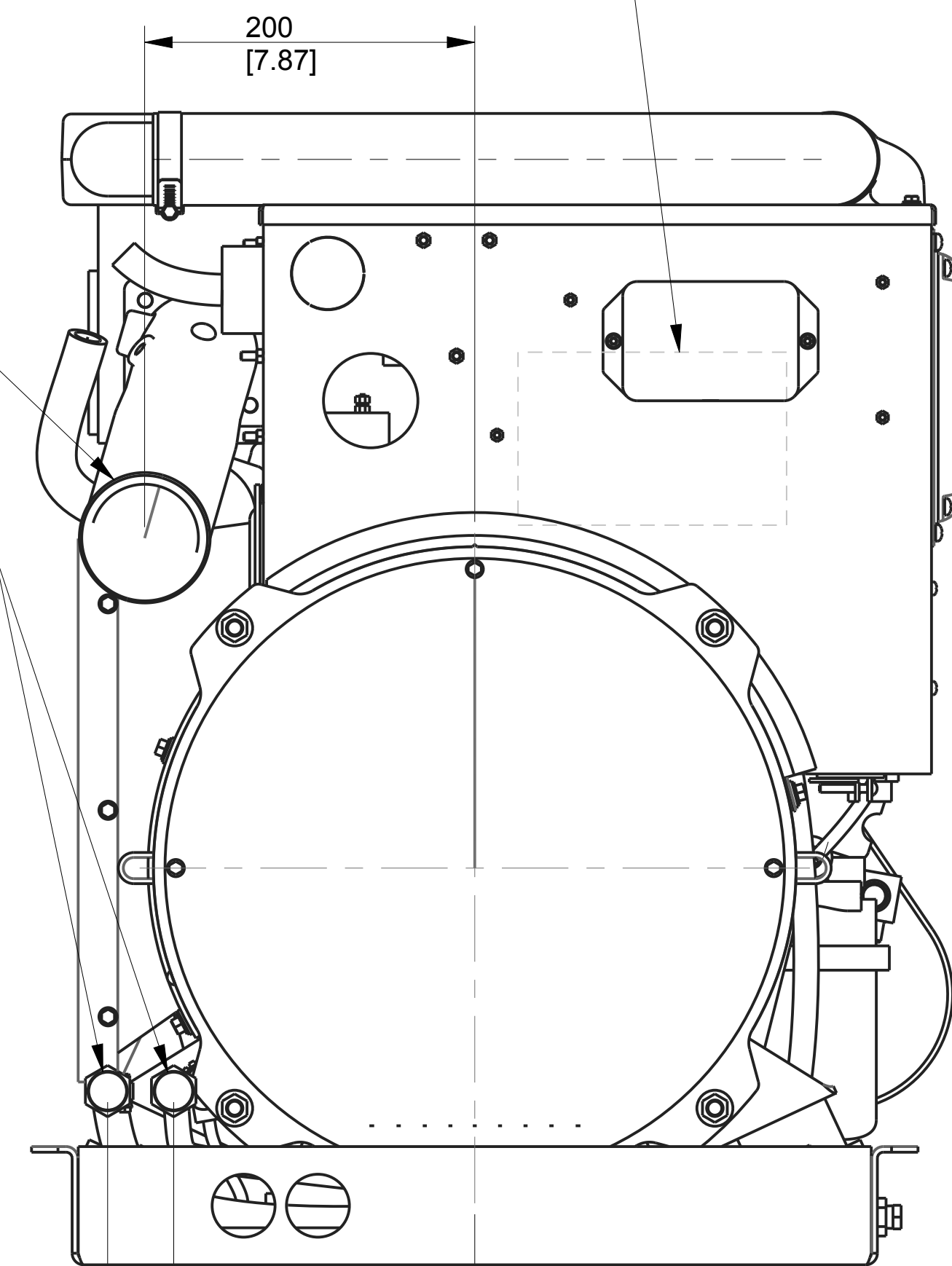
871 [34.28]

389 [15.32]

WATER FILL

WATER COOLED EXHAUST
OUTLET FOR 76 [3.00]
I.D. HOSE (REAR EXHAUST
CONNECTION)

OPTIONAL CIRCUIT BREAKER
LOCATION (OPPOSITE SIDE
OF JUNCTION BOX)



200
[7.87]

FUEL SUPPLY &
RETURN 1/4 NPT
MALE -FUEL LINES
ARE COILED &
TIED TO UNIT
WHEN SHIPPED

440
[17.32]

105
[4.14]

40
[1.57]

182
[7.18]

REV	DATE	DESCRIPTION	BY	DATE
-	5-3-16	NEW DRAWING (CT144169)	RVM	

ON COMPOSITE DWGS. SEE PART NO. FOR REVISION LEVEL

UNLESS OTHERWISE SPECIFIED:
1) DIMENSIONS ARE IN MILLIMETERS
2) TOLERANCES ARE:
XXX ±
XX ±
X ±
ANGLES ±

THIRD ANGLE PROJECTION

APPROVALS	DATE
DRAWN RVM	5-3-16
CHECKED DDH	5-3-16
APPROVED TLW	5-3-16

SURFACE FINISH
MAX.

KOHLER CO. METRIC PRO-E
POWER SYSTEMS, KOHLER, WI 53044 U.S.A.
THIS DRAWING IN DESIGN AND DETAIL IS KOHLER CO.
PROPERTY AND MUST NOT BE USED EXCEPT IN
CONNECTION WITH KOHLER CO. WORK. ALL RIGHTS OF
DESIGN OR INVENTION ARE RESERVED.

TITLE DIMENSION PRINT, 17-23 KW KDI
MARINE

SCALE 0.30 CAD NO. SHEET 2 of 2
DWG NO. ADV-8883 D