



WD Series 800/1000



The Whisper Davit series offers a high strength, lightweight crane at an affordable price. It identifies as the Whisper Davit for its whisper-quiet operation while it performs dual functions. Its compact design uses less deck space and is easy to operate.

APPLICATION	Recreational, Light Commercial	
STANDARD FEATURES	<ul style="list-style-type: none"> • 355° Power Rotation • Smooth Quiet Operation • Linear Winch • Easy Installation • Composite Rope (Not Steel Cable) 	<ul style="list-style-type: none"> • Proof Tested to 110% of Capacity • Yacht Quality Paint Finish • 12 or 24 Volt DC Power Unit • Power Luffing
OPTIONAL FEATURES	<ul style="list-style-type: none"> • Wireless Control • Custom Specifications Available Upon Request 	
MOUNTING OPTIONS	<ul style="list-style-type: none"> • Standpipe - WD 800 4.5" OD, WD 1000 5.25" OD 	<ul style="list-style-type: none"> • Pedestal Base • FRP HPU Base
HOSES	16' Standard - Available in 5', 8', 22', and Custom Length	



ISO 9001:2008



**PROUDLY MADE IN
NORTH AMERICA**



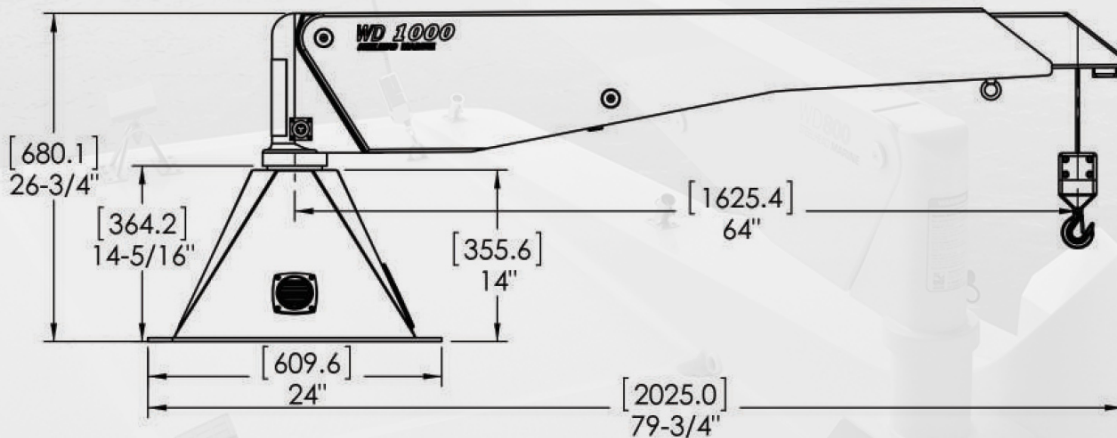
WD Series 800/1000

WD 800

CAPACITY	REACH	WEIGHT	HOIST CABLE	CABLE SAFETY FACTOR	HOIST TRAVEL	WINCH TYPE	FOUR FUNCTION HYDRAULICS
800 lbs 364 kg	8' 244 m	215 lbs 98 kg	1/4" Amsteel	10:1	17' 518 cm	Linear	Luffing Winch

WD 1000

CAPACITY	REACH	WEIGHT	HOIST CABLE	CABLE SAFETY FACTOR	HOIST TRAVEL	WINCH TYPE	FOUR FUNCTION HYDRAULICS
1000 lbs 455 kg	8' 244 m	215 lbs 98 kg	1/4" Amsteel	8:1	17' 518 cm	Linear	Luffing Winch



ISO 9001:2008



PROUDLY MADE IN NORTH AMERICA