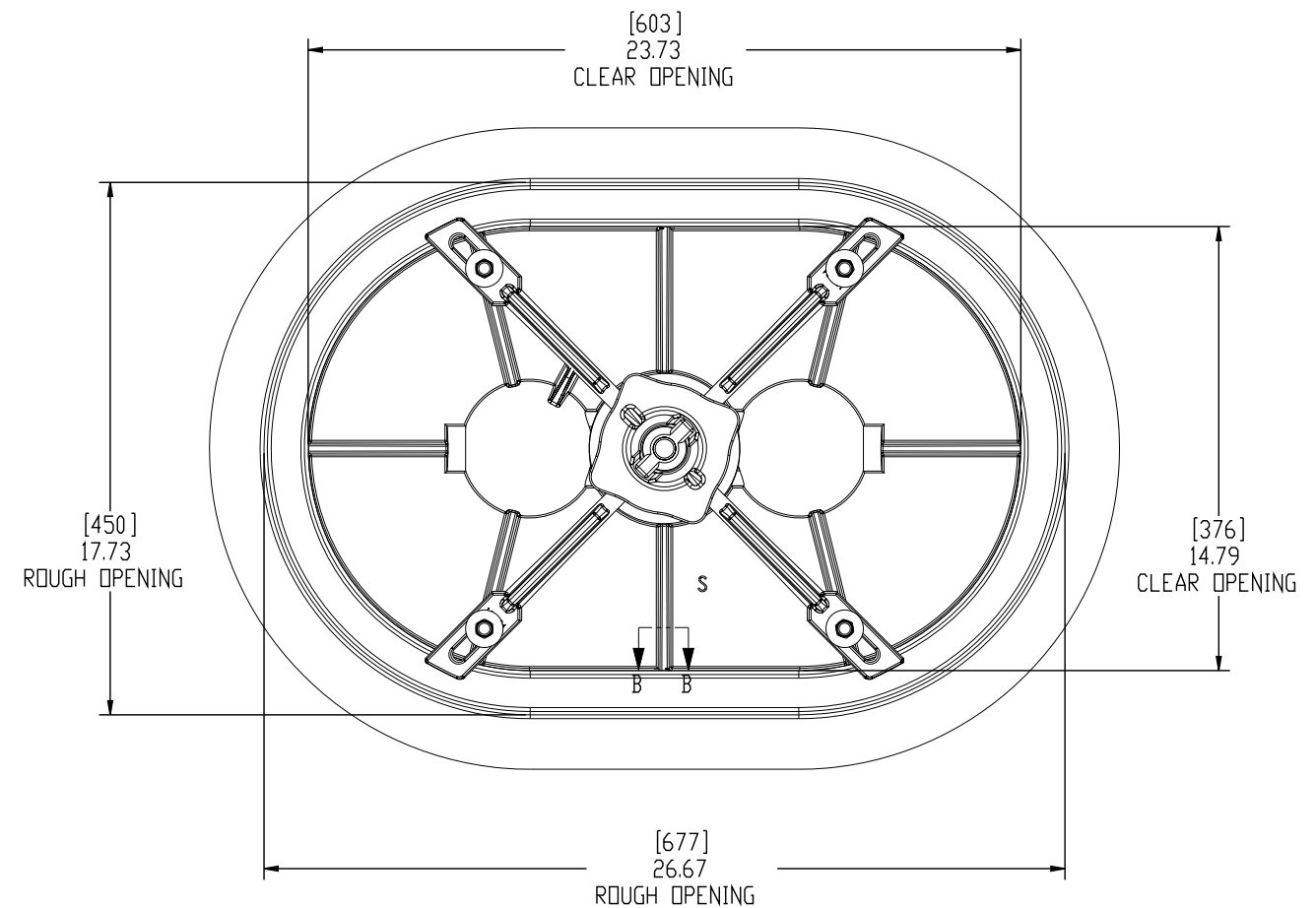
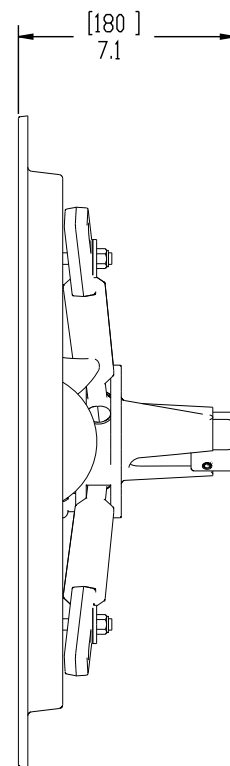
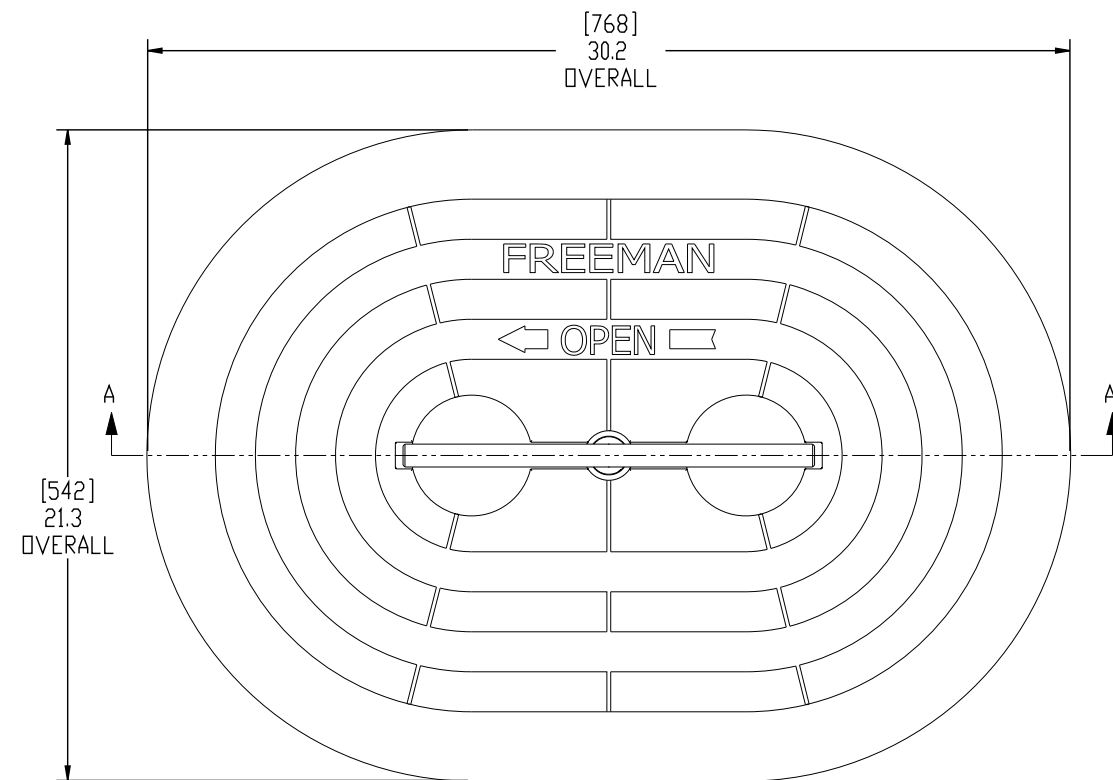


8 7 6 5 4 3 2 1



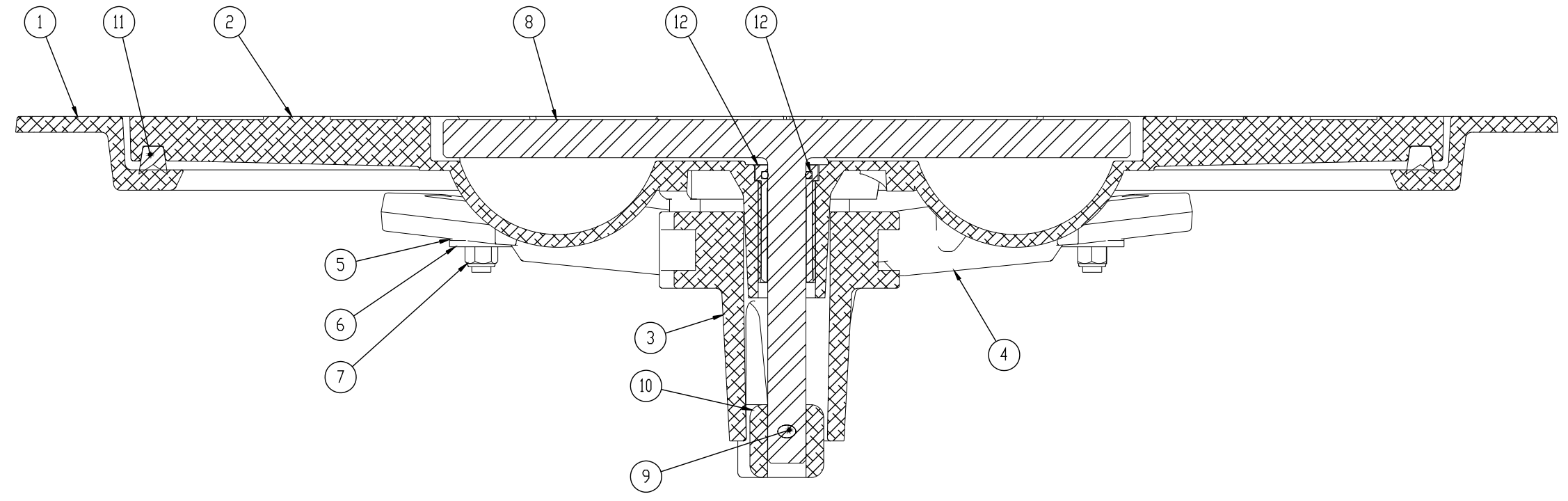
- 10. FOR SPECIFIC INFORMATION CONTACT SALES.
- 9. COMPLETE ASSEMBLY WEIGHT W/ DECK RING, 34.9LBS/ 15.8K.
- 8. DOGGING PRESSURE FULLY ADJUSTABLE.
- 7. HANDLE POSITION TOPSIDE INDICATES WHETHER DOGGING MECHANISM IS IN OPEN OR CLOSED POSITION.
- 6. ALUMINUM ALLOY MECHANISM SHOWN.
- 5. FLUSH, WATERTIGHT CONSTRUCTION.
- 4. INTEGRAL TOPSIDE "T" HANDLE STANDARD, OTHER TOPSIDE ACTUATION AVAILABLE.
- 3. CAST ALUMINUM ALLOY FLANGE, FLANGE CAN BE DRILLED FOR BOLTED INSTALLATIONS OR WELDED TO ALUMINUM.
- 2. QUICK-ACTING, MECHANISM ENGAGES OR DISENGAGES IN QUARTER-TURN OF CENTER SPINDLE.
- 1. 23.7 x 14.8 CLEAR OPENING, ALL DIMENSIONS SHOWN SUBJECT TO CASTING VARIATION AND ARE REFERENCE ONLY.

NOTES: UNLESS OTHERWISE SPECIFIED.

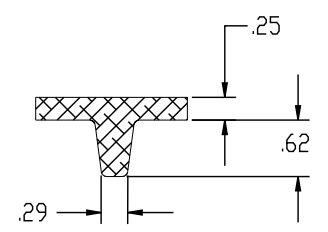
SPECIFICATIONS SUBJECT TO CHANGE WITHOUT NOTICE.		<b>FREEMAN</b> MARINE EQUIPMENT, INC. 28336 HUNTER CREEK ROAD GOLD BEACH, OR 97444 U.S.A. PHONE: 541-247-7078 FAX: 541-247-2114 WWW.FREEMANMARINE.COM	
UNLESS OTHERWISE SPECIFIED DIMENSIONS ARE IN INCHES. TOLERANCES FOR ROUGH AND CLEAR OPENING ± .125 INCH. ALL OTHERS ARE: .X .XX .XXX ANGLES ±.1 ±.03 ±.010 ±2°		CONFIDENTIAL PROPERTY OF FREEMAN MARINE EQUIPMENT, INC. UNAUTHORIZED USE, COPIES OR REPRODUCTION IS STRICTLY PROHIBITED. POSSESSION OF THIS DOCUMENT IMPLIES THE OBLIGATION TO RETURN THIS DOCUMENT UPON REQUEST. © ALL RIGHTS RESERVED 2004	
PROJECTION		CLIENT: FREEMAN MARINE	
DRAWN: MK FURMAN DATE: 22JUL05		TITLE: HATCH, 2433, OVAL	
CHECKED: DATE:		LIFT OUT, COMPR. SEAL, ALUM.	
ENGR: DATE:		SIZE: D	CAGE CODE: 64747
DESIGN ACTIVITY: DATE:		DRAWING NUMBER: 2433-0002	REV. A
CONTRACT NO:		SCALE: 1:3	CALC. WT. ACT. WT. SHEET 1 OF 2
- INITIAL RELEASE 22JUL05 MKF	A UPDATE GEN. NOTES & BOM 04AUG11 PPC	DO NOT SCALE DRAWING	
REV. DESCRIPTION DATE DRAWN			

8 7 6 5 4 3 2 1

D  
C  
B  
A



SECTION A-A



SECTION B-B  
SCALE 1 : 1

ITEM NO.	QTY.	PART NUMBER	DESCRIPTION	MATERIAL
12	1	0031-2058	BUSHING ASSY, W/ O-RING, NO SLEEVE	ACETRON/RUBBER
11	1	9801-2005	GASKET: 1524 (5.58 FT. DF 0631-9801)	NEOPRENE
10	1	0112-2001	ACTUATOR, AL	ALUMINUM, 535
9	1	0411-2004	PIN, KNURLED, 1/4 X 2-1/4, 316 S/S	STAINLESS STEEL, 316L
8	1	0021-2005	HANDLE, S/S, ROUND BAR	STAINLESS STEEL, 316
7	4	0411-2032	LOCKNUT, NYLON INSERT, 3/8-16, 316 S/S	STAINLESS STEEL, 316
6	4	0411-2033	WASHER, .406 X 1.25 X .125, 316 S/S	STAINLESS STEEL, 316
5	4	0413-2005	WASHER, .406 X 1.250 X .062 NYLON	NYLON
4	4	0211-2004	DOG, LOCKING ARM 1524, AL	ALUMINUM, 535.2-F
3	1	0011-2002	HUB, AL, 4 HOLE	ALUMINUM, 535.2-F
2	1	2434-3001	COVER: 1524	ALUMINUM, A356.0-F
1	1	2433-1002	COAMING 1524 COMPRESSION	ALUMINUM, A356.0-F

REV.	DESCRIPTION	DATE	DRAWN
-	INITIAL RELEASE	22JUL05	MKF
A	UPDATE GEN. NOTES & BOM	04AUG11	PPC

SPECIFICATIONS SUBJECT TO CHANGE WITHOUT NOTICE.

PROJECTION

UNLESS OTHERWISE SPECIFIED DIMENSIONS ARE IN INCHES. TOLERANCES FOR ROUGH AND CLEAR OPENING ± .125 INCH. ALL OTHERS ARE:

X XX XXX ANGLES  
±.1 ±.03 ±.010 ±2°

DO NOT SCALE DRAWING

**FREEMAN MARINE EQUIPMENT, INC.**  
28336 HUNTER CREEK ROAD  
GOLD BEACH, OR 97444 U.S.A.  
PHONE: 541-247-7078 FAX: 541-247-2114  
www.freemarine.com

CLIENT: FREEMAN MARINE

TITLE: HATCH, 2433, OVAL  
LIFT OUT, COMPR. SEAL, ALUM.

SIZE: D CAGE CODE: 64747 DRAWING NUMBER: 2433-0002 REV. A

SCALE: 1:1.25 CALC. WT. ACT. WT. SHEET 2 OF 2