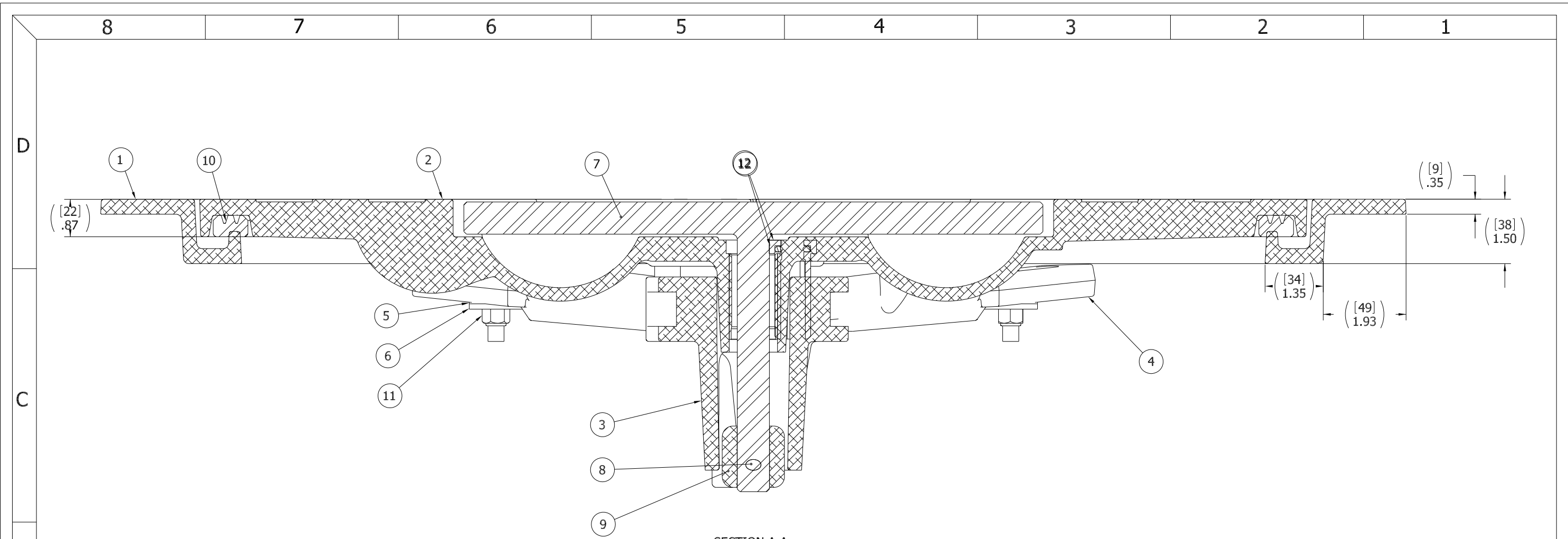


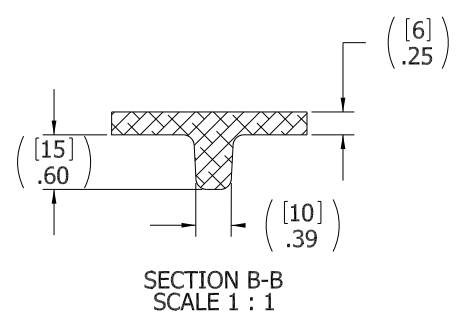
10. FOR SPECIFIC INFORMATION CONTACT SALES.
9. COMPLETE ASSEMBLY WEIGHT W/ DECK RING, 36.2LBS/ 16.4K.
8. DOGGING PRESSURE FULLY ADJUSTABLE.
7. HANDLE POSITION TOPSIDE INDICATES WHETHER DOGGING MECHANISM IS IN OPEN OR CLOSED POSITION.
6. ALUMINUM ALLOY MECHANISM SHOWN.
5. FLUSH, WATERTIGHT CONSTRUCTION.
4. INTEGRAL TOPSIDE "T" HANDLE STANDARD, OTHER TOPSIDE ACTUATION AVAILABLE.
3. CAST ALUMINUM ALLOY FLANGE, FLANGE CAN BE DRILLED FOR BOLTED INSTALLATIONS OR WELDED TO ALUMINUM.
2. QUICK-ACTING, MECHANISM ENGAGES OR DISENGAGES IN QUARTER-TURN OF CENTER SPINDLE.
1. 14.8 x 23.8" CLEAR OPENING, ALL DIMENSIONS SHOWN SUBJECT TO CASTING VARIATION AND ARE REFERENCE ONLY.

NOTES: UNLESS OTHERWISE SPECIFIED.

SPECIFICATIONS SUBJECT TO CHANGE WITHOUT NOTICE.			FREEMAN MARINE EQUIPMENT, INC. 28336 HUNTER CREEK ROAD GOLD BEACH, OR 97444 U.S.A. PHONE: 541-247-7078 FAX: 541-247-2114 www.freemanmarine.com	
PROJECTION			CLIENT: FREEMAN MARINE	
UNLESS OTHERWISE SPECIFIED DIMENSIONS ARE IN INCHES. TOLERANCES FOR ROUGH AND CLEAR OPENING: .125 INCH. ALL OTHERS ARE: .X .XX .XXX ANGLES ±.1 ±.03 ±.010 ±2°			TITLE: 15" X 24" OVAL "K" STYLE ALUMINUM CAST HATCH, ALUMINUM DECK RING W/ INTEGRAL TOPSIDE HANDLE	
INITIAL RELEASE 11NOV96 MWF			SIZE: D	
A TOTAL REDRAW & REFORMAT IN SOLIDWORKS 07JAN05 GJM			CAGE CODE: 64747	
B UPDATE GEN. NOTES & B.O.M. 05AUG11 PPC			DRAWING NUMBER: 2434-0002	
REV. DESCRIPTION: DATE: DRAWN			SCALE: 1:3	
DO NOT SCALE DRAWING			ACT. WT.	
			SHEET 1 OF 3	



SECTION A-A



SECTION B-B
SCALE 1 : 1

ITEM NO.	QTY.	PART NUMBER	DESCRIPTION	MATERIAL
15	1	0437-2026	SENSOR MAGNET, CYLINDRICAL PROXIMITY	REF, S/A - B.O.M
14	1	0411-2110	SCREW, SET 8-32 X 3/16 (0411-2110)	STAINLESS STEEL, 316L
13	1	0435-2136	MOUNT, SENSOR, CAST HATCH	ALUMINUM, MADE FROM 0611-9626
12	1	0031-2058	BUSHING ASSY, W/O-RING, NO SLEEVE	ACETRON/RUBBER
11	4	0411-2032	NUT .375IN-16 SS 316 NYLOCK	SS 316/316L
10	1	9835-2008	GASKET, 1524K (5.58" OF 0631-9835)	NEOPRENE, 25 DURO
9	1	0112-2001	ACTUATOR, AL	ALUMINUM, 535
8	1	0411-2004	PIN KNURLED .25 X 2.25IN SS 316	SS 316/316L
7	1	0021-2005	HANDLE, S/S, ROUND BAR	STAINLESS STEEL, 316
6	4	0411-2033	WASHER .406 X 1.25 X .125IN SS 316	SS 316/316L
5	4	0413-2005	WASHER, .406 X 1.250 X .062 NYLON	NYLON
4	4	0211-2004	DOG, LOCKING ARM 1524, AL	ALUMINUM, 535.2-F
3	1	0011-2002	HUB, AL, 4 HOLE	ALUMINUM, 535.2-F
2	1	2434-3001	COVER: 1524K	ALUMINUM, 356.2-F
1	1	2434-1002	RING, 1524K	ALUMINUM, 356.2-F

REV.	DESCRIPTION	DATE	DRAWN
-	INITIAL RELEASE	11NOV96	MWF
A	TOTAL REDRAW & REFORMAT IN SOLIDWORKS	07JAN05	GJM
B	UPDATE GEN. NOTES & B.O.M.	05AUG11	PPC

SPECIFICATIONS SUBJECT TO CHANGE WITHOUT NOTICE.

PROJECTION

UNLESS OTHERWISE SPECIFIED DIMENSIONS ARE IN INCHES. TOLERANCES FOR ROUGH AND CLEAR OPENINGS: .125 INCH. ALL OTHERS ARE:

.X	.XX	.XXX	ANGLES
±.1	±.03	±.010	±2°

DO NOT SCALE DRAWING

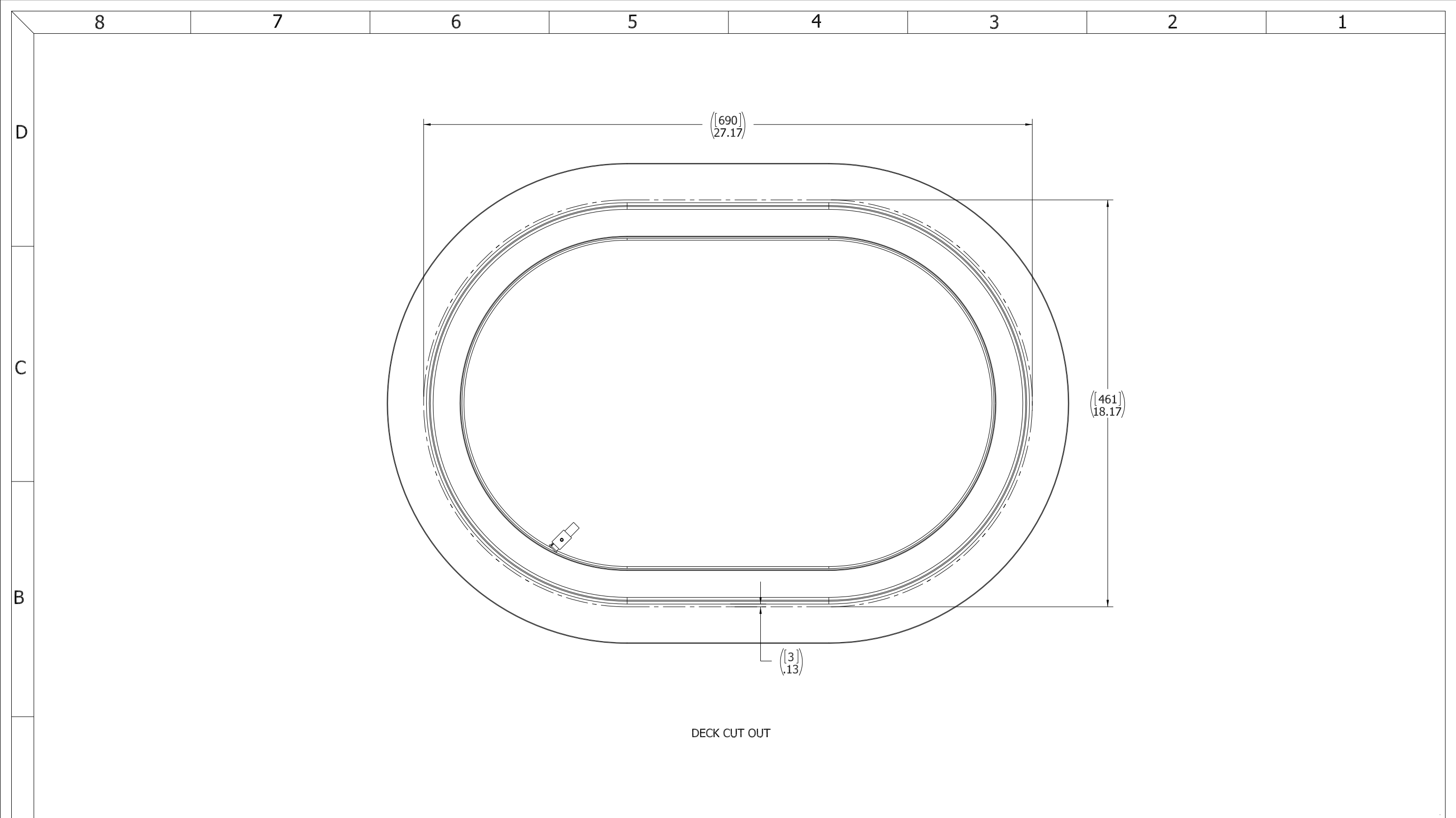
FREEMAN MARINE EQUIPMENT, INC.
28336 HUNTER CREEK ROAD
GOLD BEACH, OR 97444 U.S.A.
PHONE: 541-247-7078 FAX: 541-247-2114
www.freemanmarine.com

CLIENT: **FREEMAN MARINE**

TITLE: **15" X 24" OVAL "K" STYLE ALUMINUM CAST HATCH, ALUMINUM DECK RING W/ INTEGRAL TOPSIDE HANDLE**

SIZE	CAGE CODE	DRAWING NUMBER	REV.
D	64747	2434-0002	B

SCALE: 1:1.125 CALC. WT. ACT. WT. SHEET 2 OF 3



DECK CUT OUT

- 3. FINISH: 125 RMS MAX.
- 2. BREAK SHARP EDGES AND DEBURR.
- 1. MATERIAL: REF. S/A - B.O.M.

NOTES: UNLESS OTHERWISE SPECIFIED.

CUSTOMER APPROVAL

Signature: _____
 Date: _____

IMPORTANT! THIS DRAWING SUPERSEDES ALL OTHER DOCUMENTS. By signing this approval you accept and agree that the dimensions and details shown are correct and properly fit your application, regardless of any differences between this drawing and any contract specifications. Should you see any errors in the drawing, or have any questions, please contact your Freeman Marine sales engineer for clarification.

REV.	DESCRIPTION	DATE	DRAWN
-	INITIAL RELEASE	11NOV96	MWF
A	TOTAL REDRAW & REFORMAT IN SOLIDWORKS	07JAN05	GJM
B	UPDATE GEN. NOTES & B.O.M.	05AUG11	PPC

SPECIFICATIONS SUBJECT TO CHANGE WITHOUT NOTICE.

PROJECTION

UNLESS OTHERWISE SPECIFIED DIMENSIONS ARE IN INCHES. TOLERANCES FOR ROUGH AND CLEAR OPENINGS: .125 INCH. ALL OTHERS ARE:
 .X .XX .XXX ANGLES
 ±.1 ±.03 ±.010 ±2°

DO NOT SCALE DRAWING

 28336 HUNTER CREEK ROAD GOLD BEACH, OR 97444 U.S.A. PHONE: 541-247-7078 FAX: 541-247-2114 www.freemanmarine.com		CLIENT: FREEMAN MARINE	
		TITLE: 15" X 24" OVAL "K" STYLE ALUMINUM CAST HATCH, ALUMINUM DECK RING	
DRAWN: G MACEACHERN CHECKED: _____ ENGR: _____ DESIGN ACTIVITY: _____ CONTRACT NO.: _____	DATE: 07JAN05 DATE: _____ DATE: _____ DATE: _____	SIZE: D CAGE CODE: 64747 SCALE: 1:2	DRAWING NUMBER: 2434-0002 ACT. WT.: _____ SHEET 3 OF 3