

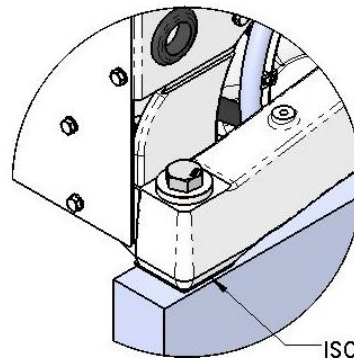


## SEAKEEPER 3 GYRO BOLT-IN CLEARANCES

1. REMINDER ! See Bolt-In Installation drawing 90374.

**WARNING! NEW, SEAKEEPER SUPPLIED BOLTS MUST BE USED FOR EACH INSTALLATION AND REINSTALLATION. IT IS IMPERATIVE**

**THAT TORQUE AND THREADLOCKER GUIDELINES BE FOLLOWED.**



ISOLATION GASKETS MUST BE USED WHEN ATTACHING TO METAL SURFACE OTHER THAN ALUMINUM.

2. Tight clearances from cable guide bands to hull structure. See below figure for dimensions and reference Seakeeper drawing 90374 for complete gyro envelope.

