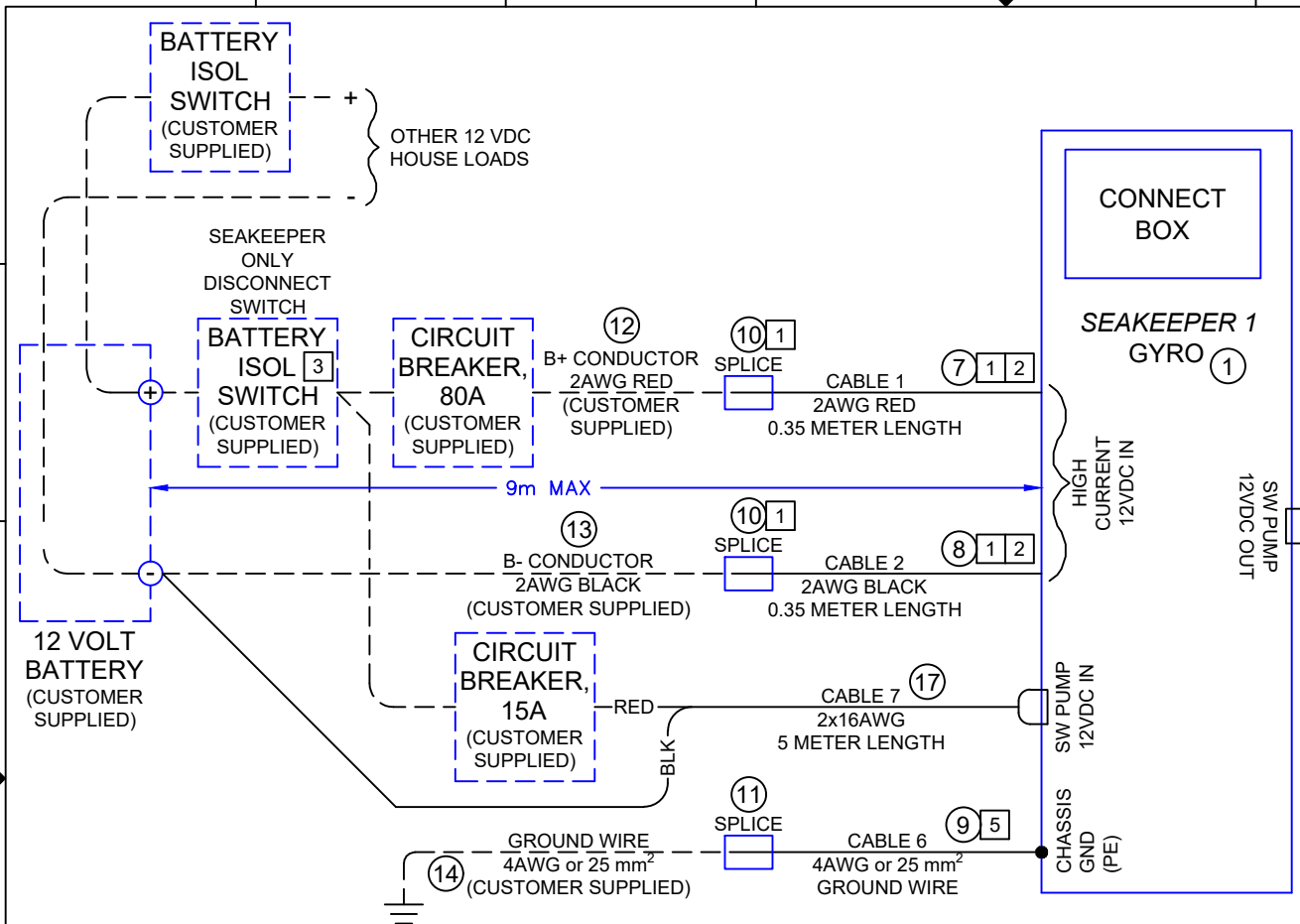


REVISIONS					
REV	ECN NO.	ZONE	DESCRIPTION	DATE	APPROVED
1			1. INITIAL RELEASE.	26MAY20	N. TROCHÉ



DISPLAY OPTIONS SHOWN ON SH 3.

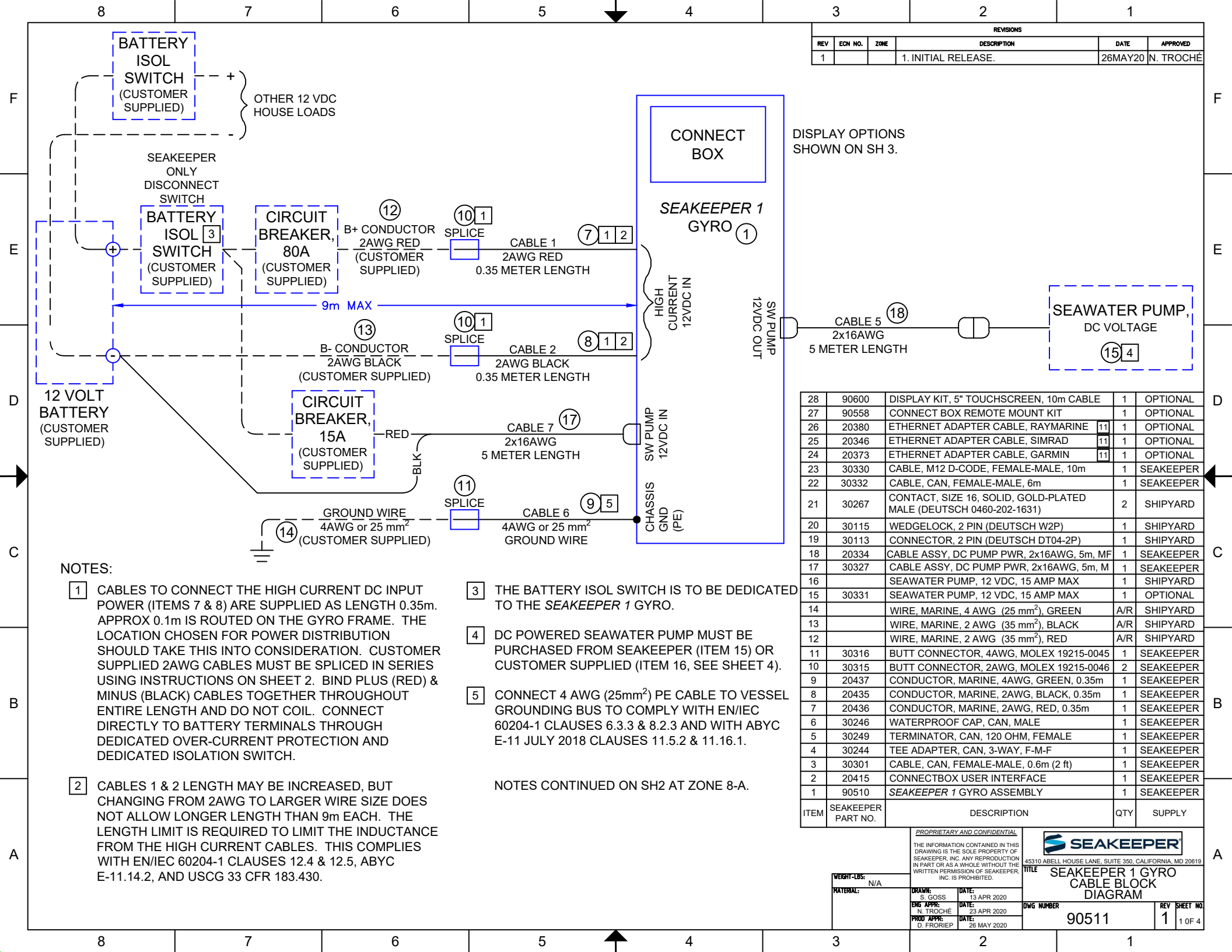
28	90600	DISPLAY KIT, 5" TOUCHSCREEN, 10m CABLE	1	OPTIONAL
27	90558	CONNECT BOX REMOTE MOUNT KIT	1	OPTIONAL
26	20380	ETHERNET ADAPTER CABLE, RAYMARINE	11	OPTIONAL
25	20346	ETHERNET ADAPTER CABLE, SIMRAD	11	OPTIONAL
24	20373	ETHERNET ADAPTER CABLE, GARMIN	11	OPTIONAL
23	30330	CABLE, M12 D-CODE, FEMALE-MALE, 10m	1	SEAKEEPER
22	30332	CABLE, CAN, FEMALE-MALE, 6m	1	SEAKEEPER
21	30267	CONTACT, SIZE 16, SOLID, GOLD-PLATED MALE (DEUTSCH 0460-202-1631)	2	SHIPYARD
20	30115	WEDGELOCK, 2 PIN (DEUTSCH W2P)	1	SHIPYARD
19	30113	CONNECTOR, 2 PIN (DEUTSCH DT04-2P)	1	SHIPYARD
18	20334	CABLE ASSY, DC PUMP PWR, 2x16AWG, 5m, MF	1	SEAKEEPER
17	30327	CABLE ASSY, DC PUMP PWR, 2x16AWG, 5m, M	1	SEAKEEPER
16		SEAWATER PUMP, 12 VDC, 15 AMP MAX	1	SHIPYARD
15	30331	SEAWATER PUMP, 12 VDC, 15 AMP MAX	1	OPTIONAL
14		WIRE, MARINE, 4 AWG (25 mm <sup>2</sup> ), GREEN	A/R	SHIPYARD
13		WIRE, MARINE, 2 AWG (35 mm <sup>2</sup> ), BLACK	A/R	SHIPYARD
12		WIRE, MARINE, 2 AWG (35 mm <sup>2</sup> ), RED	A/R	SHIPYARD
11	30316	BUTT CONNECTOR, 4AWG, MOLEX 19215-0045	1	SEAKEEPER
10	30315	BUTT CONNECTOR, 2AWG, MOLEX 19215-0046	2	SEAKEEPER
9	20437	CONDUCTOR, MARINE, 4AWG, GREEN, 0.35m	1	SEAKEEPER
8	20435	CONDUCTOR, MARINE, 2AWG, BLACK, 0.35m	1	SEAKEEPER
7	20436	CONDUCTOR, MARINE, 2AWG, RED, 0.35m	1	SEAKEEPER
6	30246	WATERPROOF CAP, CAN, MALE	1	SEAKEEPER
5	30249	TERMINATOR, CAN, 120 OHM, FEMALE	1	SEAKEEPER
4	30244	TEE ADAPTER, CAN, 3-WAY, F-M-F	1	SEAKEEPER
3	30301	CABLE, CAN, FEMALE-MALE, 0.6m (2 ft)	1	SEAKEEPER
2	20415	CONNECTBOX USER INTERFACE	1	SEAKEEPER
1	90510	SEAKEEPER 1 GYRO ASSEMBLY	1	SEAKEEPER

NOTES:

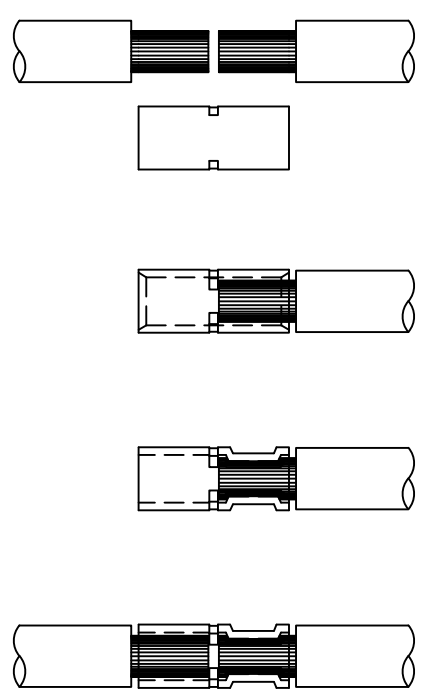
- 1 CABLES TO CONNECT THE HIGH CURRENT DC INPUT POWER (ITEMS 7 & 8) ARE SUPPLIED AS LENGTH 0.35m. APPROX 0.1m IS ROUTED ON THE GYRO FRAME. THE LOCATION CHOSEN FOR POWER DISTRIBUTION SHOULD TAKE THIS INTO CONSIDERATION. CUSTOMER SUPPLIED 2AWG CABLES MUST BE SPLICED IN SERIES USING INSTRUCTIONS ON SHEET 2. BIND PLUS (RED) & MINUS (BLACK) CABLES TOGETHER THROUGHOUT ENTIRE LENGTH AND DO NOT COIL. CONNECT DIRECTLY TO BATTERY TERMINALS THROUGH DEDICATED OVER-CURRENT PROTECTION AND DEDICATED ISOLATION SWITCH.
- 2 CABLES 1 & 2 LENGTH MAY BE INCREASED, BUT CHANGING FROM 2AWG TO LARGER WIRE SIZE DOES NOT ALLOW LONGER LENGTH THAN 9m EACH. THE LENGTH LIMIT IS REQUIRED TO LIMIT THE INDUCTANCE FROM THE HIGH CURRENT CABLES. THIS COMPLIES WITH EN/IEC 60204-1 CLAUSES 12.4 & 12.5, ABYC E-11.14.2, AND USCG 33 CFR 183.430.
- 3 THE BATTERY ISOL SWITCH IS TO BE DEDICATED TO THE SEAKEEPER 1 GYRO.
- 4 DC POWERED SEAWATER PUMP MUST BE PURCHASED FROM SEAKEEPER (ITEM 15) OR CUSTOMER SUPPLIED (ITEM 16, SEE SHEET 4).
- 5 CONNECT 4 AWG (25mm<sup>2</sup>) PE CABLE TO VESSEL GROUNDING BUS TO COMPLY WITH EN/IEC 60204-1 CLAUSES 6.3.3 & 8.2.3 AND WITH ABYC E-11 JULY 2018 CLAUSES 11.5.2 & 11.16.1.

NOTES CONTINUED ON SH2 AT ZONE 8-A.

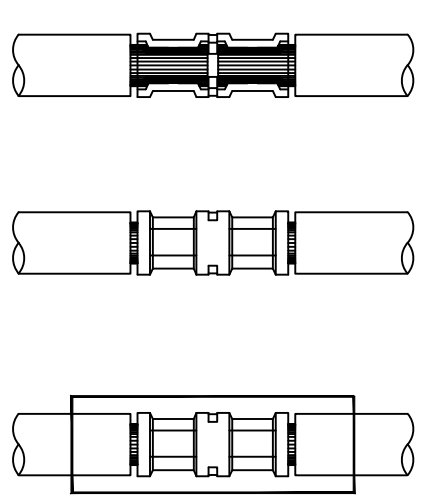
ITEM	SEAKEEPER PART NO.	DESCRIPTION	QTY	SUPPLY
<p>PROPRIETARY AND CONFIDENTIAL</p> <p>THE INFORMATION CONTAINED IN THIS DRAWING IS THE SOLE PROPERTY OF SEAKEEPER, INC. ANY REPRODUCTION IN PART OR AS A WHOLE WITHOUT THE WRITTEN PERMISSION OF SEAKEEPER, INC. IS PROHIBITED.</p>				
<p>WEIGHT-LBS: N/A</p>		<p>35310 ABELL HOUSE LANE, SUITE 350, CALIFORNIA, MD 20619</p>		
<p>MATERIAL: N/A</p>		<p>TITLE: SEAKEEPER 1 GYRO CABLE BLOCK DIAGRAM</p>		
<p>DRAWN: S GOSS</p>		<p>DATE: 13 APR 2020</p>		
<p>ENG APPR: N. TROCHÉ</p>		<p>DATE: 23 APR 2020</p>		
<p>PROD APPR: D. FRORIEP</p>		<p>DATE: 26 MAY 2020</p>		
<p>DWG NUMBER: 90511</p>		<p>REV SHEET NO: 1 OF 4</p>		



**1**  
CRIMPING INSTRUCTIONS

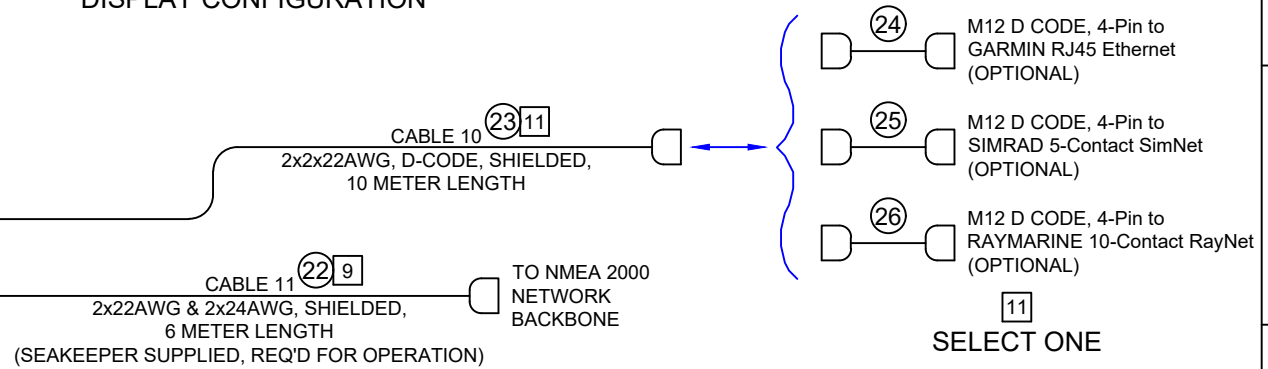
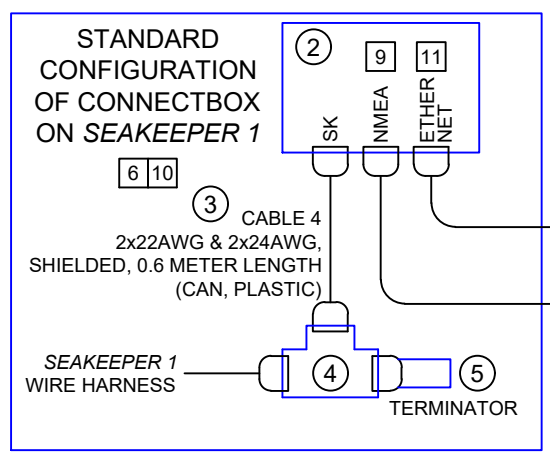


1. USE HEAVY-DUTY CRIMP BUTT CONNECTOR ITEM 10 (FOR 2 AWG) OR ITEM 11 (FOR 4 AWG) OR EQUIVALENT (SUCH AS MOLEX 19215-0046 OR MOLEX 19215-0045). STRIP INSULATION FROM EACH CONDUCTOR TO HALF THE LENGTH OF THE BUTT CONNECTOR, APPROXIMATELY AS SHOWN.
2. INSERT STRIPPED END OF ONE CONDUCTOR FULLY INTO BARREL OF HEAVY-DUTY BUTT CONNECTOR, APPROXIMATELY AS SHOWN.
3. CRIMP WITH GREENLEE K05-SYNCHRO CRIMP TOOL OR EQUIVALENT. DOUBLE CRIMP, IF NECESSARY, TO GET A GOOD CONNECTION, APPROX. AS SHOWN.
4. INSERT STRIPPED END OF OTHER CONDUCTOR FULLY INTO BARREL ON OTHER SIDE OF HEAVY-DUTY BUTT CONNECTOR, APPROXIMATELY AS SHOWN.



5. CRIMP OTHER SIDE BUTT CONNECTOR WITH GREENLEE K05-SYNCHRO CRIMP TOOL OR EQUIVALENT. DOUBLE CRIMP, IF NECESSARY, TO GET A GOOD CONNECTION, APPROX. AS SHOWN.
6. THE RESULTANT CRIMPS SHOULD FULLY ENCLOSE AND CONFINE THE CONDUCTOR STRANDS FROM ALL SIDES AND WITHSTAND AN AGGRESSIVE, MANUAL PULL TEST.
7. INSTALL APPROXIMATELY 2.0 INCH OF DOUBLE WALL (ADHESIVE LINED) HEAT SHRINK TUBING OVER ENTIRE BUTT CONNECTOR AND ONTO BOTH SIDES OF CONDUCTOR INSULATION. HEAT SHRINK IN PLACE UNTIL TUBING CONFORMS TO BARREL AND CONDUCTOR SHAPE AND ADHESIVE SEALS THE JUNCTION.

**6**  
DISPLAY CONFIGURATION



NOTES (FROM SH 1, ZONE 5-A):  
⑥ STANDARD CONFIGURATION OF CONNECTBOX USER INPUT DEVICE, ITEM 2, ON SEAKEEPER 1. ALSO SEE NOTE 11.

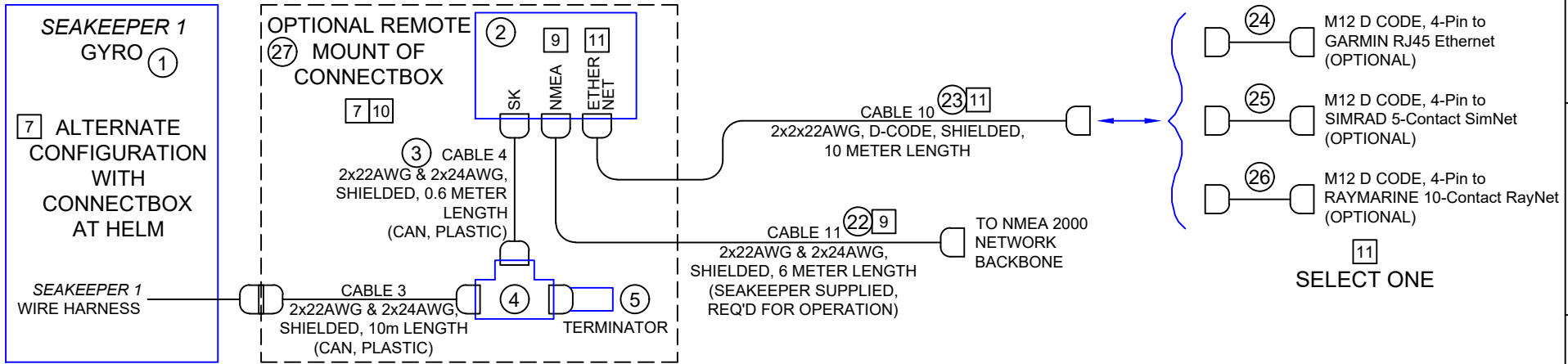
NOTES CONT'D ON SH3 AT ZONE 8-F.

<small>PROPRIETARY AND CONFIDENTIAL</small> THE INFORMATION CONTAINED IN THIS DRAWING IS THE SOLE PROPERTY OF SEAKEEPER, INC. ANY REPRODUCTION IN PART OR AS A WHOLE WITHOUT THE WRITTEN PERMISSION OF SEAKEEPER, INC. IS PROHIBITED.		 45310 ABELL HOUSE LANE, SUITE 350, CALIFORNIA, MD 20619	
WEIGHT-LBS: N/A MATERIAL:	DRAWN: S GOSS ENG APPR: N. TROCHÉ PROD APPR: D. FRORIEP	DATE: 13 APR 2020 DATE: 23 APR 2020 DATE: 26 MAY 2020	TITLE: SEAKEEPER 1 GYRO CABLE BLOCK DIAGRAM DWG NUMBER: 90511 REV: 1 SHEET NO: 2 OF 4

NOTES (FROM SH 2, ZONE 8-A):

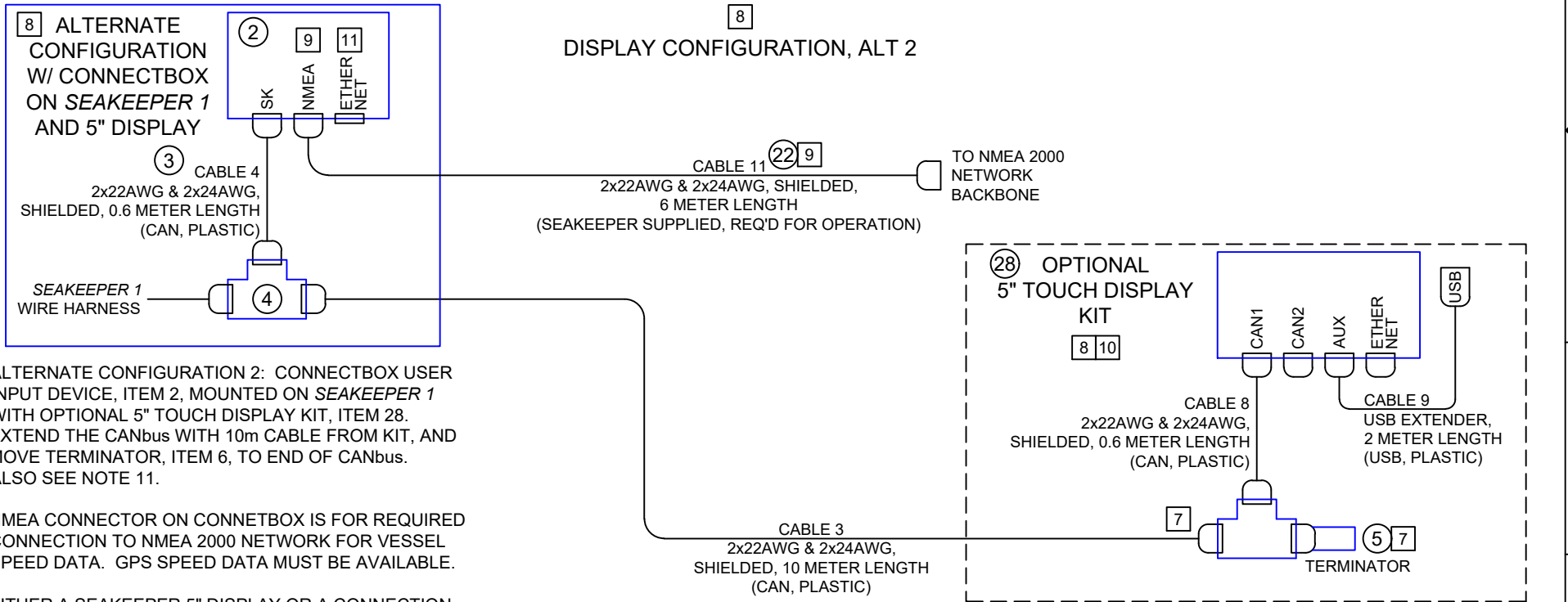
7 ALTERNATE CONFIGURATION 1: CONNECTBOX USER INPUT DEVICE, ITEM 2, REMOTE MOUNTED WITH KIT, ITEM 27, AT HELM CONSOLE. ALSO SEE NOTE 11.

7 DISPLAY CONFIGURATION, ALT 1



8 ALTERNATE CONFIGURATION W/ CONNECTBOX ON SEAKEEPER 1 AND 5" DISPLAY

8 DISPLAY CONFIGURATION, ALT 2



8 ALTERNATE CONFIGURATION 2: CONNECTBOX USER INPUT DEVICE, ITEM 2, MOUNTED ON SEAKEEPER 1 WITH OPTIONAL 5" TOUCH DISPLAY KIT, ITEM 28. EXTEND THE CANbus WITH 10m CABLE FROM KIT, AND MOVE TERMINATOR, ITEM 6, TO END OF CANbus. ALSO SEE NOTE 11.

9 NMEA CONNECTOR ON CONNETBOX IS FOR REQUIRED CONNECTION TO NMEA 2000 NETWORK FOR VESSEL SPEED DATA. GPS SPEED DATA MUST BE AVAILABLE.

10 EITHER A SEAKEEPER 5" DISPLAY OR A CONNECTION TO SEAKEEPER COMPATIBLE MULTI-FUNCTION DISPLAY IS REQUIRED.

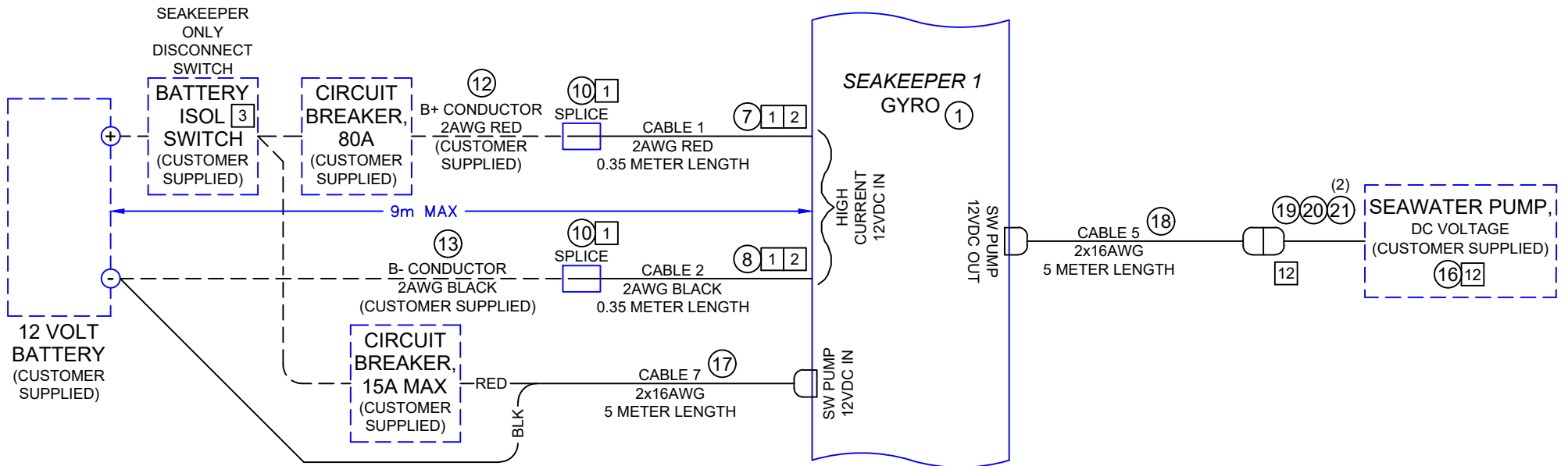
11 ETHERNET CONNECTOR ON CONNETBOX IS FOR ETHERNET CONNECTION TO SEAKEEPER COMPATIBLE MULTI-FUNCTION DISPLAY. ADAPTER CABLE MUST BE SELECTED FOR MFD BRAND FROM ITEMS 24-26.

NOTES CONTINUED ON SH4 AT ZONE 8-F.

<p>PROPRIETARY AND CONFIDENTIAL</p> <p>THE INFORMATION CONTAINED IN THIS DRAWING IS THE SOLE PROPERTY OF SEAKEEPER, INC. ANY REPRODUCTION IN PART OR AS A WHOLE WITHOUT THE WRITTEN PERMISSION OF SEAKEEPER, INC. IS PROHIBITED.</p>		<p>45310 AABELL HOUSE LANE, SUITE 350, CALIFORNIA, MD 20619</p>	
<p>WEIGHT-LBS: N/A</p> <p>MATERIAL: N/A</p>	<p>DRAWN: S. GOSS</p> <p>ENG APPR: N. TROCHÉ</p> <p>PROD APPR: D. FRORIEP</p>	<p>DATE: 13 APR 2020</p> <p>DATE: 23 APR 2020</p> <p>DATE: 26 MAY 2020</p>	<p>TITLE: SEAKEEPER 1 GYRO CABLE BLOCK DIAGRAM</p> <p>DWG NUMBER: 90511</p> <p>REV: 1</p> <p>SHEET NO: 3 OF 4</p>

NOTES (FROM SH 3, ZONE 5-A):

12 ALTERNATE SEAWATER PUMP CONFIGURATION FOR CUSTOMER SUPPLIED 12VDC POWERED SEAWATER PUMP (ITEM 17), 15 AMPS MAXIMUM. OVER-CURRENT PROTECTION ON CABLE 7 MUST BE SELECTED FOR PUMP RATING. INSTALL CONNECTOR PARTS, ITEMS 19-21, ON SEAWATER PUMP LEADS WITH CRIMP TOOL, DEUTSCH HDT-48-00 OR HDT-1561; PIN 1 TO +V AND PIN 2 TO -V.



**PROPRIETARY AND CONFIDENTIAL**

THE INFORMATION CONTAINED IN THIS DRAWING IS THE SOLE PROPERTY OF SEAKEEPER, INC. ANY REPRODUCTION IN PART OR AS A WHOLE WITHOUT THE WRITTEN PERMISSION OF SEAKEEPER, INC. IS PROHIBITED.

**SEAKEEPER**  
45310 ABELL HOUSE LANE, SUITE 350, CALIFORNIA, MD 20619

**TITLE** SEAKEEPER 1 GYRO CABLE BLOCK DIAGRAM

<b>WEIGHT-LBS:</b> N/A	<b>DRAWN:</b> S. GOSS	<b>DATE:</b> 13 APR 2020	<b>DWG NUMBER</b> 90511	<b>REV</b> 1	<b>SHEET NO.</b> 4 OF 4
<b>MATERIAL:</b>	<b>ENG APPR:</b> N. TROCHÉ	<b>DATE:</b> 23 APR 2020			
	<b>PROD APPR:</b> D. FRORIEP	<b>DATE:</b> 26 MAY 2020			