



TALON

▼ SHALLOW WATER ANCHOR ▼

Installation Instructions

INTRODUCTION

THANK YOU

Thank you for purchasing the Minn Kota® Talon shallow water anchor. This revolutionary shallow water anchor uses state-of-the-art technology to deliver unprecedented levels of boat control. Intuitive features and wireless control enable Talon to accurately position your boat and improve your bait presentation. Talon holds your boat in position so you can focus on fishing.

REGISTRATION

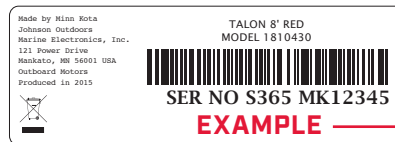
Remember to keep your receipt and immediately register your Talon. To receive all the benefits of your product warranty please fill out and mail the registration card. You may also register your product online at minnkotamotors.com.

SERIAL NUMBER

Your Minn Kota 11-character serial number is very important. It helps to determine the specific model and year of manufacture. When contacting Consumer Service or registering your product, you will need to know your product's serial number. We recommend that you write the serial number down so that you have it available for future reference.



NOTICE: The serial number on your Talon is located below the motor housing.



TALON INFORMATION (For Consumer Reference Only)

Model: _____

Serial Number: _____

Purchase Date: _____

Store Where Purchased: _____

NOTICE: Do not return your Minn Kota product to your retailer. Your retailer is not authorized to repair or replace this unit. You may obtain service by: calling Minn Kota at (800) 227-6433; returning your Talon to the Minn Kota Factory Service Center; sending or taking your product to any Minn Kota authorized service center. A list of authorized service centers is available on our website, at minnkotamotors.com. Please include proof of purchase, serial number and purchase date for warranty service with any of the above options.

SAFETY CONSIDERATIONS

Please thoroughly read the user manual. Follow all instructions and heed all safety considerations. Use of this product is only permitted for persons that have read and understood these instructions. Minors may use this product only under adult supervision.

WARNING

You are responsible for the safe and prudent operation of your boat or vessel, and Talon(s). This product does not relieve you from the responsibility of safe operation of your boat. It may be hazardous to operate your Talon in rough or turbulent water conditions, such as fast currents or changing environmental conditions. Do not deploy your Talon if these conditions are present, especially when the underwater topography is unknown. Failure to follow this warning may result in unexpected operation or failure of the Talon to operate or anchor and could cause death or serious injury. You must avoid hazards to anchoring and always maintain a permanent watch so you can maintain proper control of your boat. You must always be prepared to regain manual control of your boat. Learn to operate your Minn Kota product in an area free from hazards and obstacles.

WARNING

The Talon should be disconnected from the power source when it is not in use or is off the water. When connecting the power-supply cables of the Talon to the battery or power switch, ensure that they are not kinked or subject to chafe and route them in such a way that persons cannot trip over them. Before using the Talon make sure that the insulation of the power cables is not damaged. Disregarding these safety precautions may result in electric shorts of battery(s) and/or the product. Always disconnect the Talon from battery(s) before cleaning or checking the Talon. In the event of unexpected operation, remove power leads from the battery. Avoid submerging the complete product as water may enter, considerable damage to the product can occur. This damage will not be covered by warranty. The constant noise pressure level of the Talon during use is less than 70dB(A). The overall vibration level does not exceed 2,5 m/sec².

WARNING

Take care that neither you nor other persons approach the Talon Spike too closely while operating, neither with body parts nor with objects. The Talon is powerful and may endanger or injure you or others. While the Talon is operating, watch out for persons swimming and for floating objects. Persons who lack the ability to run the Talon or whose reactions are impaired by alcohol, drugs, medication, or other substances are not permitted to use this product.

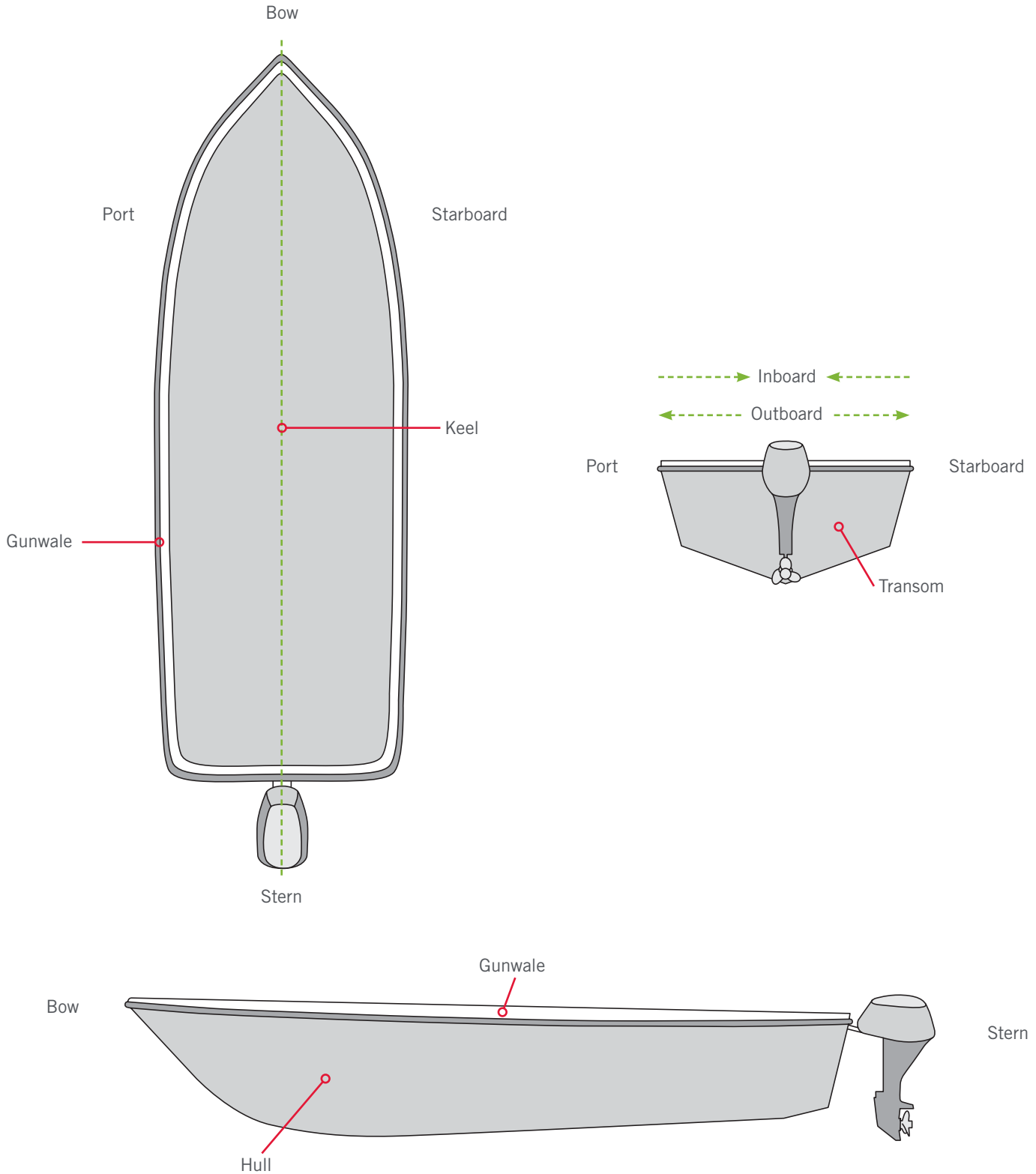
CAUTION

Never leave the boat unattended with the Talon as your only boat anchor. Talon is not intended to provide primary anchorage.

WARNING

It is recommended to only use Johnson Outdoors approved accessories with your Talon. Using non-approved accessories including those used to mount or control your product may cause damage, unexpected operation and injury. Be sure to use the product and all approved accessories, including remotes, safely and in the manner directed to avoid accidental or unexpected operation. Keep all factory installed parts in place including motor, electronic and accessory covers, enclosures and guards. Failure to adhere to this warning may affect your warranty.

KNOW YOUR BOAT



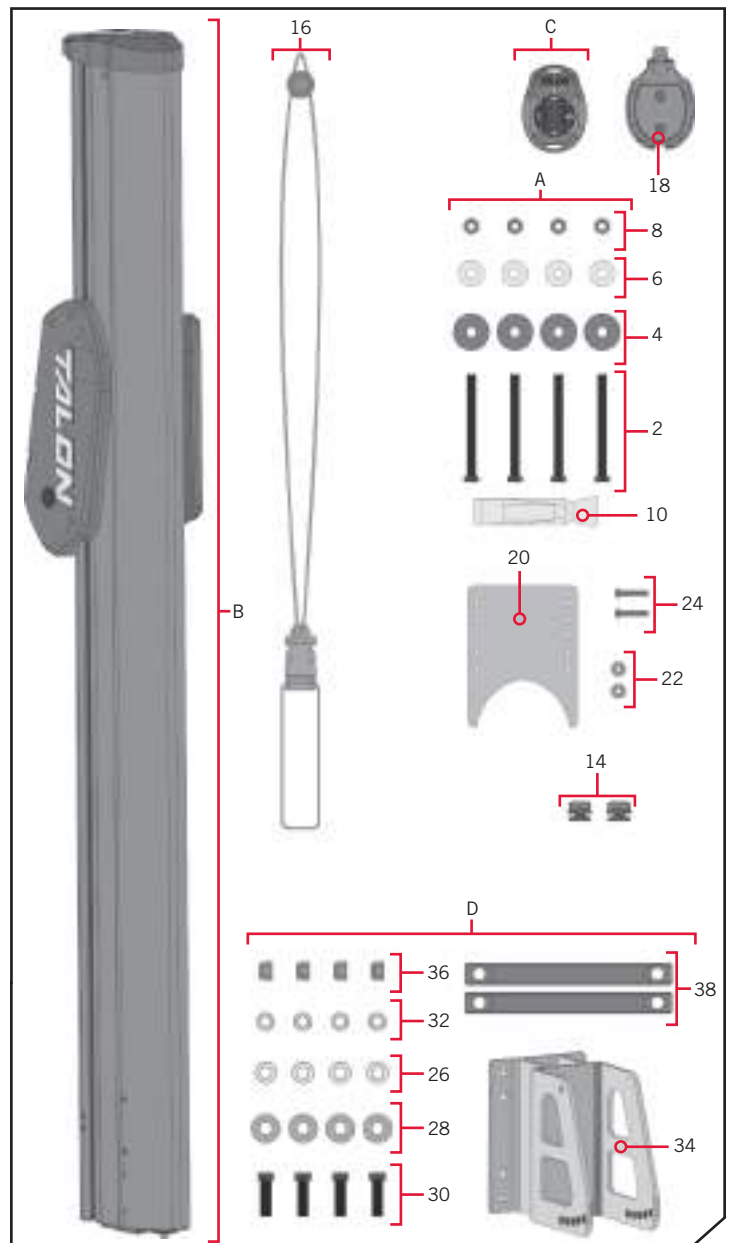
INSTALLATION

INSTALLING THE TALON

Your new Talon comes out of the box with the hardware you'll need to install it directly to the transom of your boat. If you have an irregular shaped transom that cannot accept a direct mount, or you prefer to mount the Talon with an adapter bracket for ease of mounting and removal, please visit minnkotamotors.com for details on our Talon adapter brackets. For installation with a Talon adapter bracket, refer to the installation instructions provided with the bracket. For compatible Talon adapter brackets, to locate the nearest dealer, or for additional product support, please visit minnkotamotors.com. To install the Talon directly to the boat, please follow the directions provided in these installation instructions. Please review the parts list, mounting considerations and tools needed for installation prior to getting started.

INSTALLATION PARTS LIST

Item / Assembly	Part #	Description	Qty.
A Items 2-12	2994903	TALON HARDWARE BAG ASSY	1
2	2373525	BOLT-5/16-18 X 3 1/2" HHCS SS	4
4	2371749	WASHER-FLAT 5/16 SS	4
6	2371752	WASHER-FENDER, 5/16, SS	4
8	2223100	NUT-5/16-18 NYLOCK S/S	4
10	2378608	ANTI SEIZE TUBE, 4CC, TALON	1
12	2014802 ▲	BAG-ZPLCK(4x6)4ML ANTISTATIC	1
B	✳	TALON ASSEMBLY	1
14	2372930	CORD RETAINER	2
16	2390801	LANYARD, REMOTE	1
C	2994150	NEW BT TRANSMITTER ASSY	1
18	2371829	BRACKET, RMT DASH MNT HLDR	1
20	2376447	WATER SHIELD, DEFLECTOR - TALON 2	1
22	2371754	#8 WASHER, 1/2" OD, SS	2
24	2263434	#8-18 X 1 SS PPH	2
D Items 26-38	✳	MOUNTING BRACKET ASSEMBLY	1
26	2371758	WASHER-3/8 HD FLAT SS	4
28	2378716	GUARD, EXTRUSION BRACKET	4
30	2383459	SCREW-3/8-24 X 1.25 HHCS SS	4
32	3391706	WASHER-LOCK 3/8"	4
34	2378725	BRACKET-TILT, MACH (SUB)	1
36	2373138	3/8-24 NYLOK NUT, SS	4
38	2373815	TALON MOUNTING STRAP	2
40	2377170 ▲	MANUAL, TALON BT	1
42	2377171 ▲	MANUAL, INSTALL GUIDE T3	1



✳ This part is included in an assembly and cannot be ordered individually.

▲ Not shown on Parts Diagram.

INSTALLING THE TALON

MOUNTING CONSIDERATIONS

Minn Kota recommends mounting the Talon directly to the transom of the boat with the Mounting Bracket. Your Talon comes complete with all the necessary hardware to mount directly to the transom/stern. The Talon may also be mounted using an optional adapter plate when direct transom mounting is not possible or desired due to obstructions or irregular-shaped transoms. For more information on universal adapter brackets and other Minn Kota® Talon accessories, please visit minnkotamotors.com. When using an adapter bracket to mount the Talon, please use the instructions included with the accessory.

In order to use the direct mount installation, the following conditions need to be met:

1. Unobstructed Mounting - When selecting the Talon Mounting Bracket mounting location, examine your boat to ensure that you will not drill into any obstructions and that the hardware will be accessible for assembly.

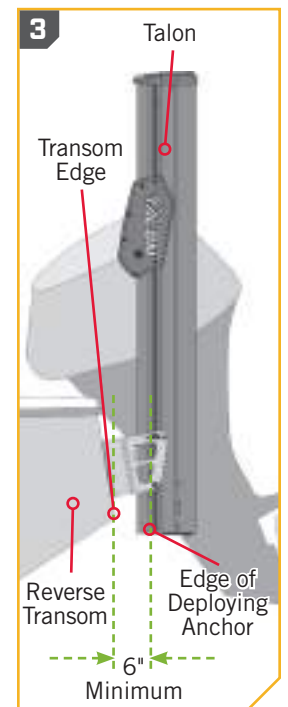
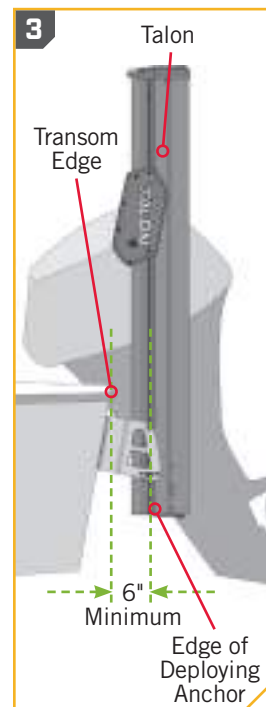
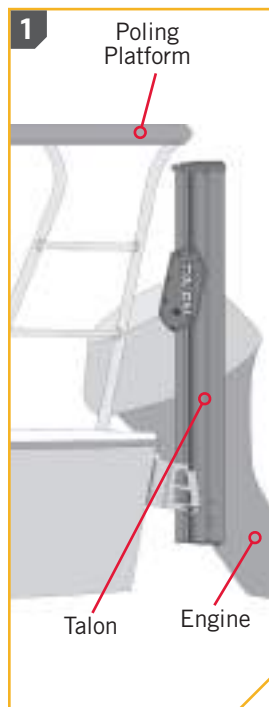
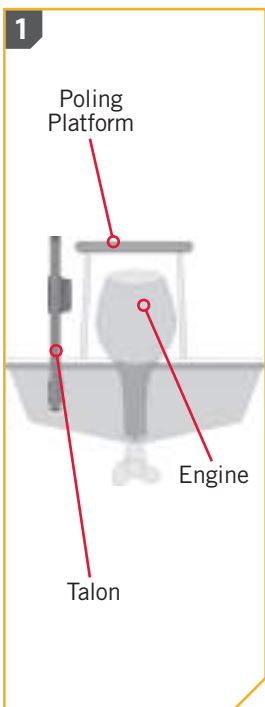
2. Unobstructed Deployment and Retraction - Talon is designed to mount on either the port or starboard side of the transom. Talon must have a clear, unobstructed path to deploy. Check to make sure that your proposed location will allow the anchor to deploy and retract without hitting trim tabs, poling platforms, ladders, engine or other obstructions. You should also consider your fishing methods when selecting the mounting location.

3. Transom to Talon Clearance - The Talon Mounting Bracket included with your unit will allow for approximately 6" of clearance from the transom to the front edge of the deploying anchor. **When mounting the Talon Mounting Bracket directly to the transom, Minn Kota suggests installing the Mounting Bracket in the highest possible location.** This will provide the most clearance, and the greatest amount of vertical and angular adjustability.



View accessories available for your Talon at minnkotamotors.com.

NOTICE: Some boats may be manufactured with a reverse transom angle. In these cases, the Talon mounting bracket may be mounted upside-down to compensate for the reverse angle.



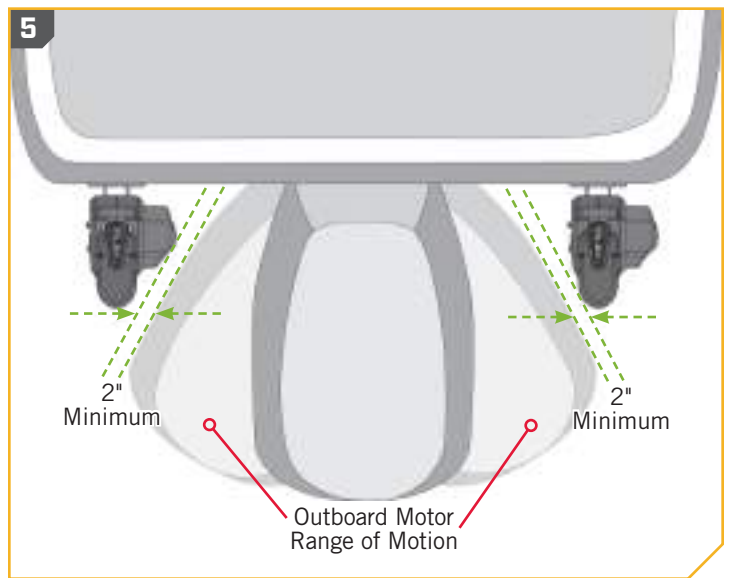
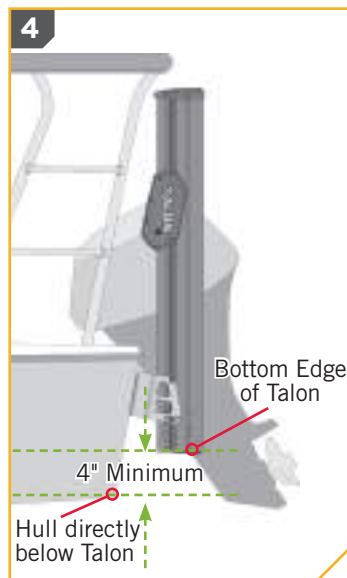
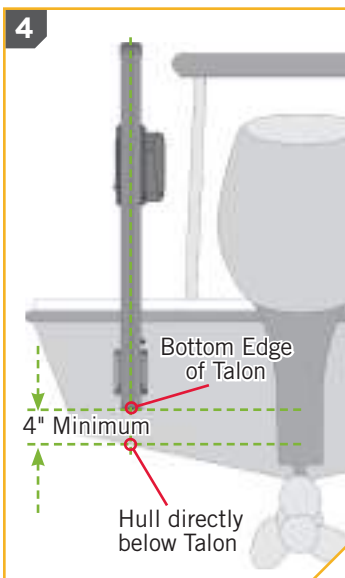
INSTALLING THE TALON

4. Talon to Hull Clearance - The bottom edge of the Talon should never be less than 4" above the hull directly below the Talon to prevent spray and drag conditions.

5. Talon to Engine Clearance - When selecting a mounting location make sure that no interference exists between the Talon and your engine during normal operation. Once you have selected your mounting location, trim the engine all the way up and all the way down, and steer the engine fully to and away from the side selected. Ensure there is a minimum of two to three inches of clearance from any point on the Talon.

NOTICE: All bass boats should mount the Talon as flush with the bottom of the Talon mounting bracket as possible to mitigate spray while underway.

NOTICE: In some instances, boat manufactures have begun to make hollow boat Transoms. We recommend speaking to your local boat dealer or OEM Manufacturer for mounting recommendations.



If these conditions are not met, please consider using an optional adapter plate. There are many adapter plates that allow for greater adjustability of the mount and allow for greater clearances to operate the Talon. Please visit minnkotamotors.com to learn more about selecting and installing an adapter plate.

CAUTION

Follow all instructions and heed all safety considerations. Minn Kota recommends having a second person help with installation. Not following proper installation and rigging instructions may result in injury. Mounting the Talon too low can cause undue drag from the Talon or Mounting Bracket when operating the boat. It is important to mount the Talon as recommended to avoid unsafe driving conditions.

TOOLS AND RESOURCES REQUIRED >

- Drill
- 5/16" Drill Bit
- 1/2" Box End or Socket Wrench
- 9/16" Box End or Socket Wrench
- Marine Grade Sealant
- Cable Ties
- Tape Measure
- 30ft/lb capacity Torque Wrench
- Pencil or similar marking tool
- Pliers
- A second person to help with installation
- Heat Shrink with Adhesive
- Wire no smaller than 12AWG
- Voltmeter

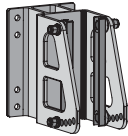
INSTALLING THE TALON

INSTALLATION

Installing the Talon

1

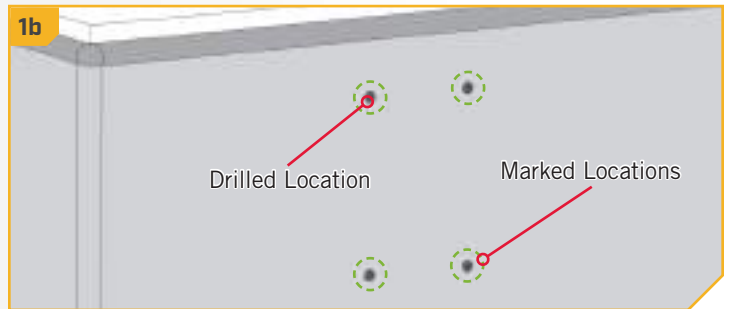
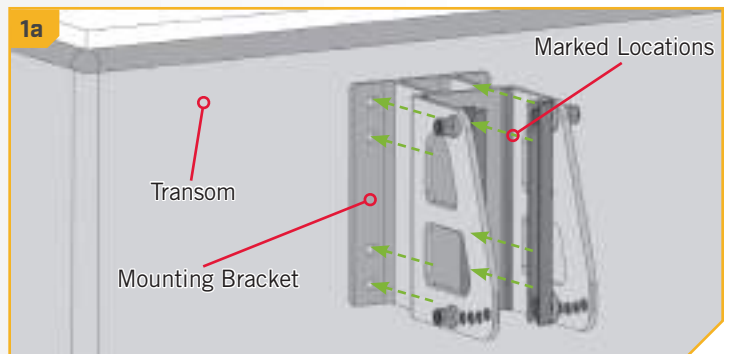
ITEM(S) NEEDED



#D x 1

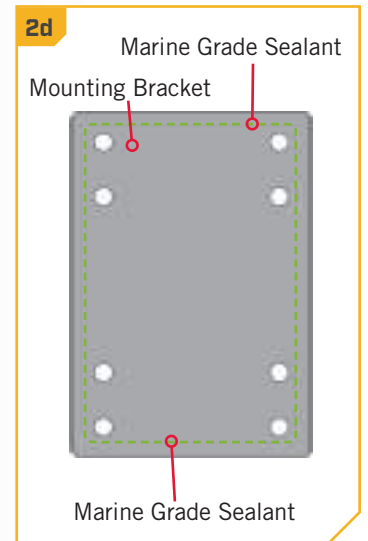
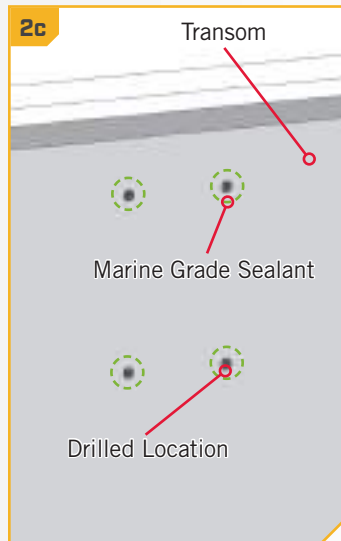
- Review the Mounting Considerations to determine if it is acceptable to complete a direct mount of the Talon Mounting Bracket. If acceptable, position the Mounting Bracket (Item #D) at the selected location and mark the Mounting Holes with a pencil or similar marking tool. Any of the eight Mounting Holes can be used with at least one bolt in each corner of the bracket, or 2 on each side.
- Double check that the mounting location is clear to drill holes and then use a Drill with a 5/16" Drill Bit to drill through the Transom/Stern of the boat on the marked locations.

NOTICE: When drilling the marked holes, make sure that the drill bit is perpendicular to the Transom/Stern of the boat and that the holes are being drilled straight. Not drilling the holes straight will give the mounting hardware a poor fit.



2

- Place a 1/8" bead of Marine Grade Sealant on the Transom of the boat around the drilled holes.
- Place the Marine Grade Sealant on the face of the Mounting Bracket that will contact the boat Transom/Stern when mounted. Keep the sealant approximately centered between the outside edge of the Mounting Bracket and the Mounting Holes. Once the sealant is in place, align the Mounting Bracket in the desired orientation with the holes that were drilled in the Transom/Stern.



3

ITEM(S) NEEDED

1 #2 x 4

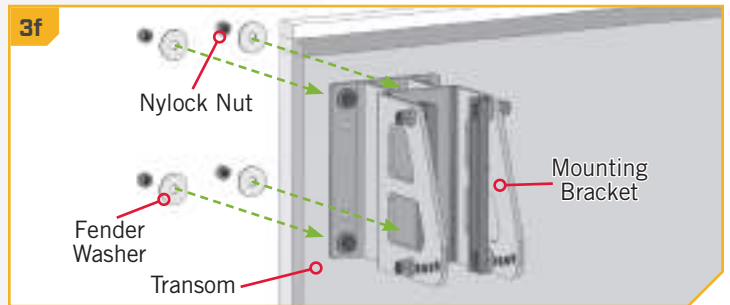
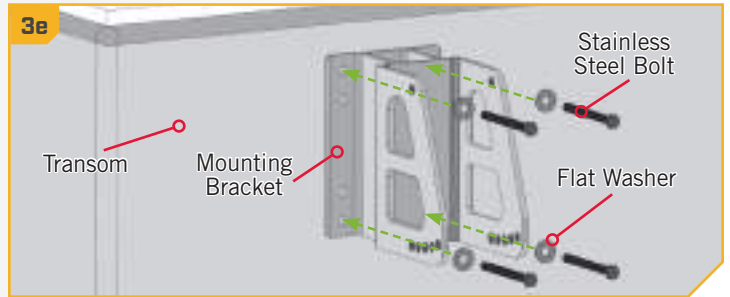
1 #4 x 4

1 #6 x 4

1 #8 x 4

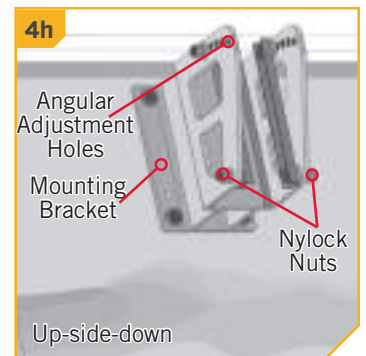
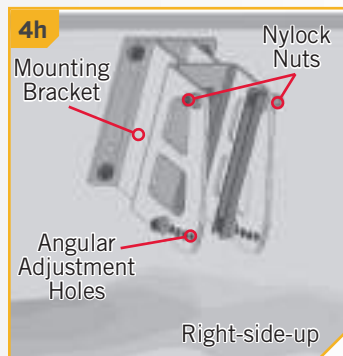
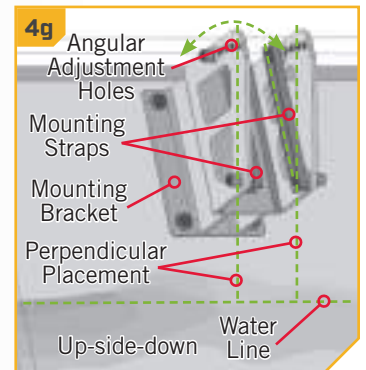
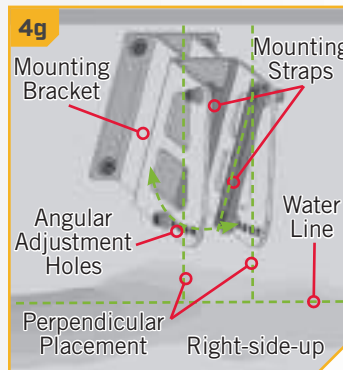
- e. Take each of the four 3-1/2" Stainless Steel Bolts (Item #2) and place one Flat Washer (Item #4) on them. Place one Bolt in each of the Mounting Holes so that it passes through the Mounting Bracket and the drilled holes on the transom of the boat.
- f. Place a Fender Washer (Item #6) on the end of each Bolt on the inside of the Transom and then securing each with a Nylock Nut (Item #8). Tighten the bolts with a 1/2" Box End or Socket Wrench. Do not over-tighten.

NOTICE: To prevent seizing of the stainless steel hardware, do not use high speed installation tools. Applying an anti-seize may help prevent seizing.



4

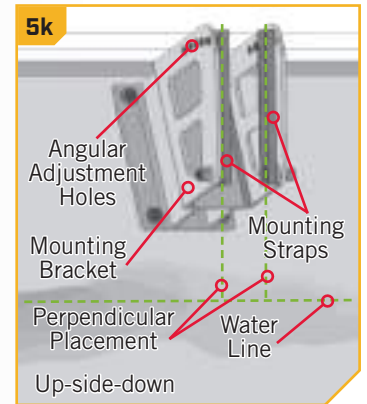
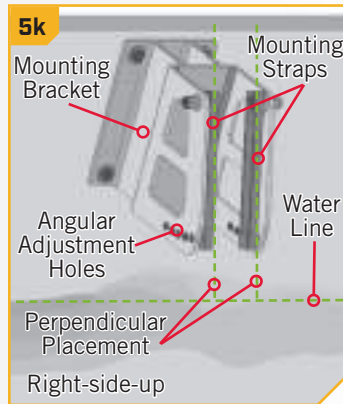
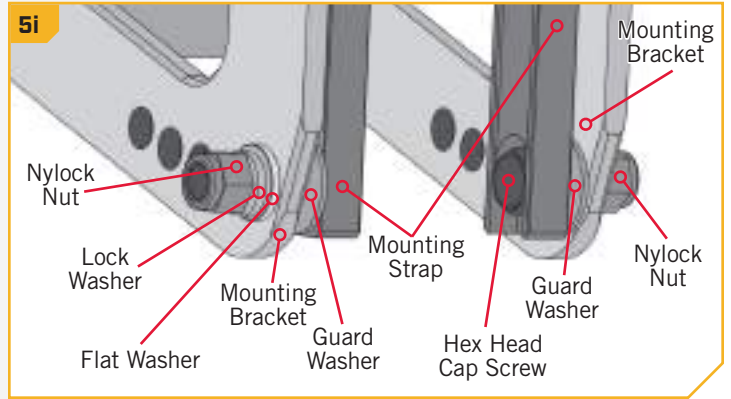
- g. Once the Mounting Bracket is secured, note the Mounting Straps located on the inside of the Mounting Bracket. The Mounting Straps need to be adjusted so that they are as perpendicular as possible to the waterline. The five Angular Adjustment Holes located on one end of the Mounting Straps allows for 25 degrees of motion to accommodate the variability of different transom styles.
- h. If the Mounting Straps are not perpendicular, use a 9/16" Box End or Socket Wrench to adjust the Nylock Nuts. The Bolt that passes through the Mounting Strap, opposite from the Angular Adjustment Holes should be loosened, but not removed.



INSTALLING THE TALON

5

- i. Next, note the position of the nuts, washers and screws holding the Mounting Strap in place. The Hex Head Cap Screws pass from the inside to the outside of the bracket. They first pass through the Mounting Strap, then a Guard Washer, then the Mounting Bracket. On the outside of the bracket, the screw first holds a Flat Washer and then a Lock Washer before being secured with a Nylock Nut.
- j. After the appropriate Nylock Nut has been loosened, locate the Nylock Nut opposite of the loosened one on the Mounting Strap and remove it.
- k. Adjust the Mounting Straps so that they are as perpendicular to the waterline as possible.



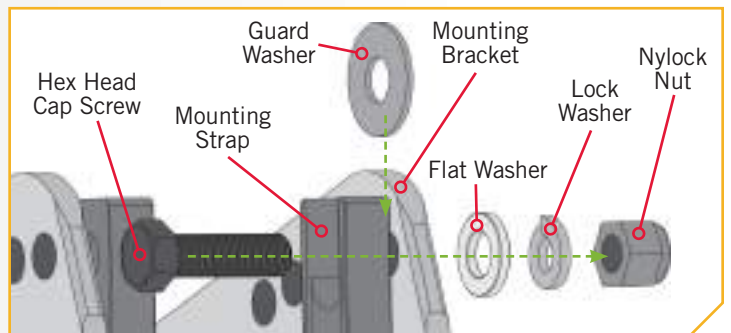
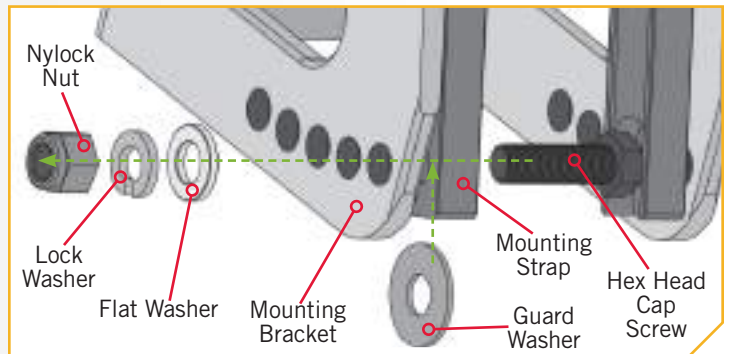
CAUTION

Do not use the Mounting Bracket or Talon as a step to enter the boat. The bracket will be slippery when wet and is not designed to support people. Using this product as a step may result in injury.

6

- l. Once perpendicular, replace the hardware that was removed by selecting one of the five Angular Adjustment Holes that will support the Mounting Strap at the most perpendicular position.
- m. To replace the bolts, pass them from the inside to the outside, through the Mounting Strap, then the Guard Washer, then the Mounting Bracket, a Flat Washer and Lock Washer. Then loosely secure with a Nylock Nut. The nuts will be fully secured later in the installation.

NOTICE: To prevent seizing of the stainless steel hardware, do not use high speed installation tools. The hardware holding the Mounting Straps in place has a pre-applied anti-seize.



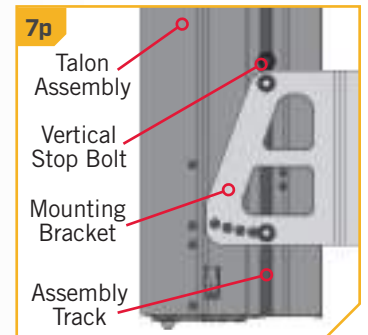
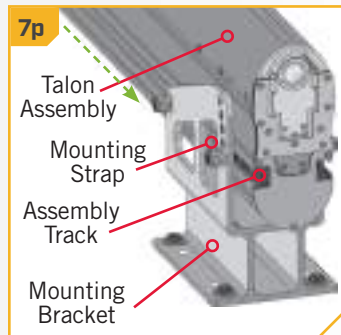
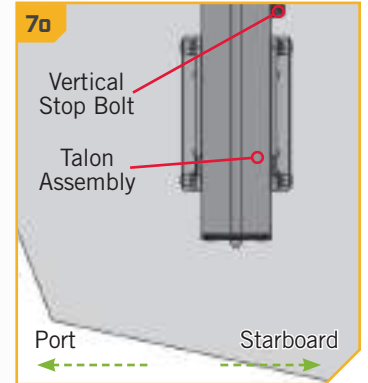
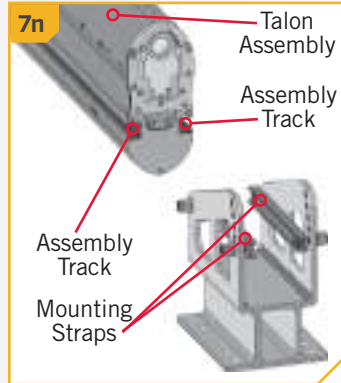
7

ITEM(S) NEEDED

#B x 1

NOTICE: We recommend a second person to help with this step of the installation.

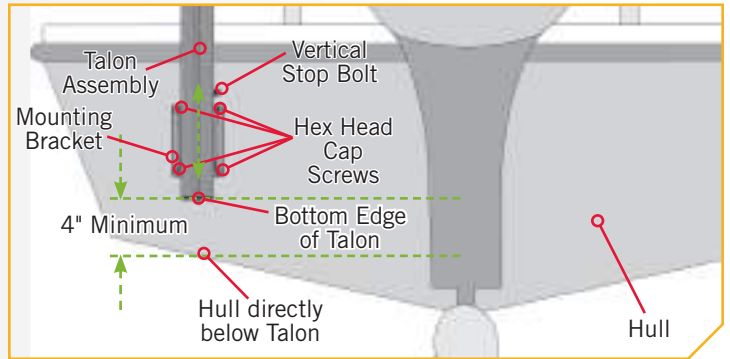
- n. Next the Talon Assembly should be installed on the Mounting Bracket. Take the Talon Assembly (Item #B) and notice that there is an Assembly Track located on both sides of the Talon.
- o. When the Talon is properly oriented as it would be installed, there is a single Vertical Stop Bolt located on the Starboard side of the Talon along the Assembly Track. The Vertical Stop Bolt is used as a reference point or guideline to stop the Talon and position the Mounting Straps in the Assembly Track. Ensure that the Vertical Stop Bolt is secured in the approximate final position.
- p. Carefully lift the Talon Assembly into the Mounting Bracket and align the Mounting Straps with the Assembly Track. Slide the Guard Washers to the inside wall of the Mounting Bracket, so that they sit between it and the Talon Assembly. Slide the Talon Assembly down the Assembly Tracks until it comes in contact with the Vertical Stop Bolt.



INSTALLING THE WATER DEFLECTION SHIELD

8

- q. While supporting the Talon Assembly, adjust it and the Vertical Stop Bolt up or down in the Mounting Bracket so that the bottom of the Talon Assembly is not less than 4 inches above the Bottom of the hull of the boat, or the waterline of the boat. Once in place, temporarily tighten the Vertical Stop Bolt.
- r. Double check the placement of the Talon Assembly and make sure it meets all of the mounting considerations. Make any adjustments as necessary. When the position of the Talon Assembly is acceptable, secure the four Hex Head Cap Screws and Nylock Nuts holding the Mounting Straps in place with a 9/16" Box End or Socket Wrench. Use a torque wrench to tighten to a recommended torque of 20 to 30 ft-lbs. Tighten the Vertical Stop Bolt.



NOTICE: Additional adjustments may need to be made to the mount after a trial run with the boat on the water. Periodically re-tighten the four nuts and screws to 20 to 30 ft-lbs.

⚠ CAUTION

Check tension of the 4 vertical adjustment nuts after initial use and periodically thereafter to ensure they are at the recommended torque of 20 to 30 ft-lbs.

› Installing the Water Deflection Shield

The Water Deflection Shield is designed to prevent undesirable spray conditions while the boat is traveling over water. The Water Deflection Shield is installed after the Talon is successfully installed on the boat. Each installation will be different and is dependent upon the position of the Talon as it sits in the Mounting Bracket. The Water Deflection Shield is installed on the bottom side of the Mounting Bracket as it is attached to the boat. The installation is designed to be adjustable to suit different angular positions.

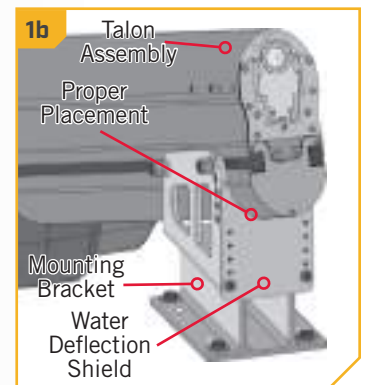
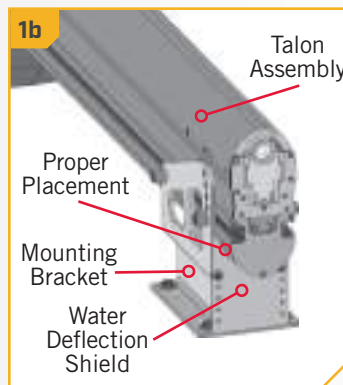
1

ITEM(S) NEEDED



#20 x 1

- a. Make sure that the Talon is positioned as recommended and installed properly by reviewing the Installing the Talon section of this manual.
- b. Once complete, take the Water Deflection Shield (Item #20), and determine where it will be installed on the Mounting Bracket. When placed properly, the curved edge of the shield will sit against the surface of the Talon Assembly that sits inboard in the Mounting Bracket.

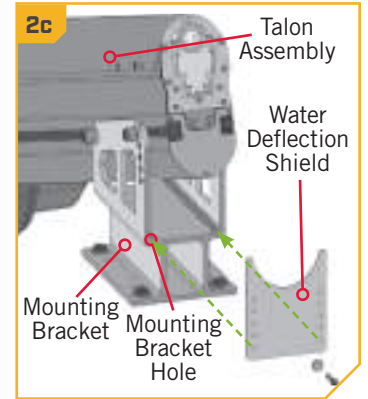
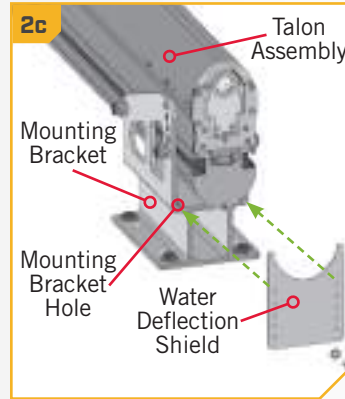


INSTALLING THE WATER DEFLECTION SHIELD

2

- c. Align the closest set of holes in the shield with the holes in the bottom of the Mounting Bracket. The set of holes used on the shield will vary for each individual installation.

NOTICE: The Water Deflection Shield will always be installed on the bottom side of the Mounting Bracket regardless of the orientation that the Mounting Bracket was installed. There should be no gap between the shield and the Talon.



3

ITEM(S) NEEDED

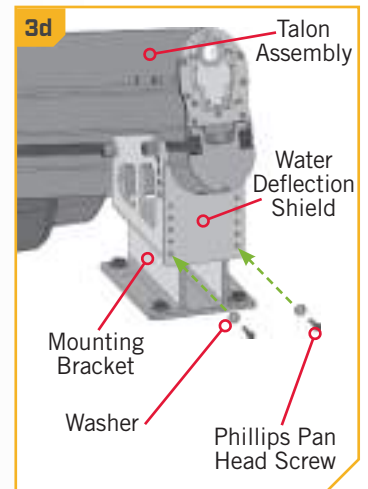
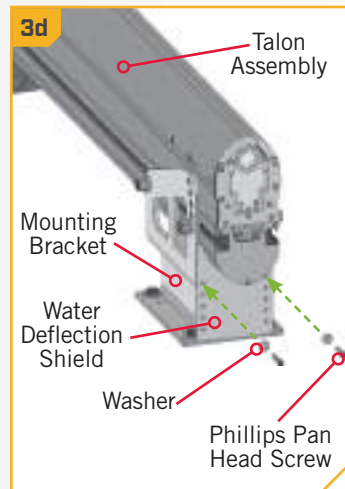
▮ #24 x 1

● #22 x 1

- d. Take two each of the 1/2" Washers (Item #22) and two of the 1" Phillips Pan Head Screws (Item #24) to attach the shield to the Mounting Bracket. Place one washer on each of the screws. The screw should pass through a washer, then the Water Deflection Shield and into the Mounting Bracket. Secure the screws using a #2 Screwdriver.

NOTICE: To prevent seizing of the stainless steel hardware, do not use high speed installation tools. Applying an anti-seize may help prevent seizing.

NOTICE: If you adjust the angle of your Talon after this step is complete, you will need to re-adjust the placement of the Water Deflection Shield to ensure proper functionality.

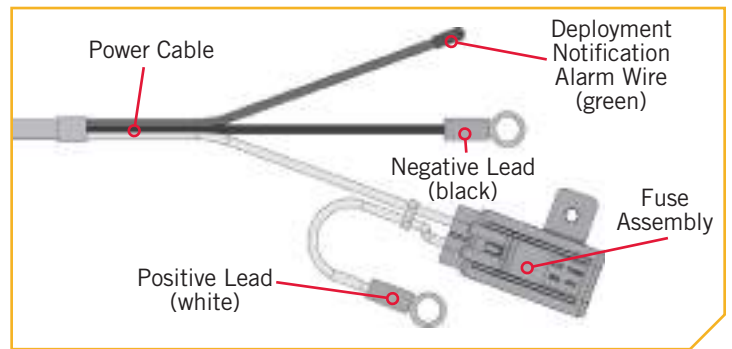


INSTALLING THE POWER CABLE AND DEPLOYMENT NOTIFICATION ALARM WIRE

› Installing the Power Cable and Deployment Notification Alarm Wire

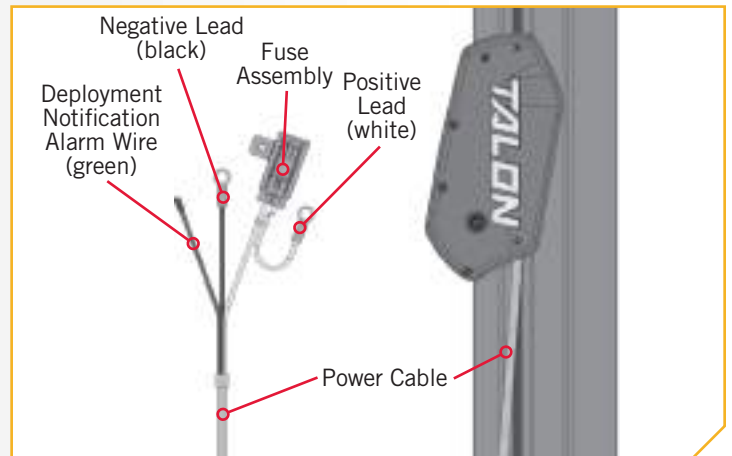
The Talon Power Cable consists of a 30 amp in-line resettable fuse on the positive lead, a negative lead, and a Deployment Notification Alarm Wire. The Deployment Notification Alarm Wire is a green wire that comes from the Power Cable and, when installed, is used to sound an alarm, when the Ignition Switch is turned to the "on" position with the Talon deployed. When connected and the Talon is properly stowed, no tone will be emitted when the Ignition Switch is turned "on". Minn Kota recommends connecting the Power Cable to the starting battery through a battery selector/power disconnect switch. The Talon does draw a small amount of residual current from the battery even when not in use. By connecting the positive lead of the Talon Power Cable through a battery selector/power disconnect switch it will disconnect power to the Talon when the Power Switch is "off". The Power Switch must have a minimum amp rating of 60 amps per Talon. If you are not connecting the Talon to a battery selector/power disconnect switch, it can be connected directly to the starting battery, but should be disconnected from power when the Talon is not in use. The Power Cable can be routed in a number of different ways depending on a boat's unique setup. It is recommended to route the Power Cable using the shortest and cleanest route from the Talon to the battery connection. Please see the Battery & Wiring Installation section of this Manual for more information.

NOTICE: It is not necessary to connect the Deployment Notification Alarm Wire in order for the Talon to function, but it is needed to comply with warranty requirements.



1

- a. Inspect the selected wire routing and make sure that there are no sharp edges, obstacles or obstructions that may damage the Power Cable. If routing along the gas outboard wire or a cable harness assembly, you may need to open any wire ties or clamps to allow the Power Cable to pass through.
- b. Carefully route the Power Cable along the intended path. Remove any slack in the Power Cable so that it routes without any bulges, lumps or kinks.
- c. The Power Cable for the Talon splits at the end to include the positive lead with a fuse, a negative lead and then the Deployment Notification Alarm Wire. If you choose not to connect the Deployment Notification Alarm, skip to step 4.

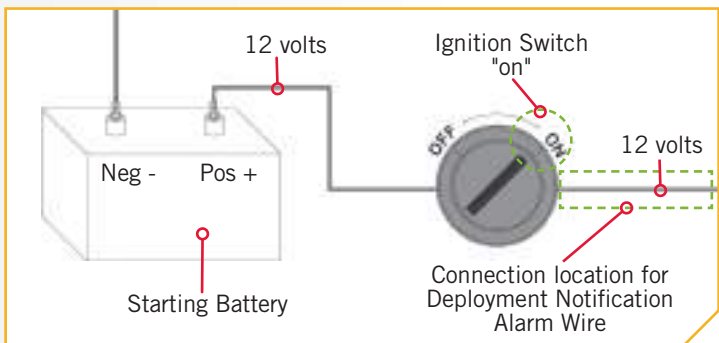
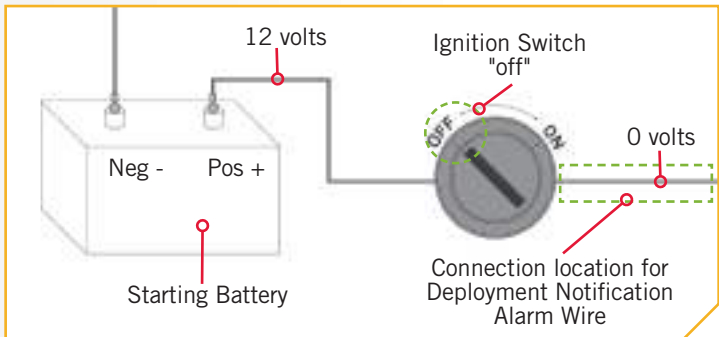


NOTICE: If unsure of how to wire the Talon Power Cable, please see a qualified marine technician.

INSTALLING THE POWER CABLE AND DEPLOYMENT NOTIFICATION ALARM WIRE

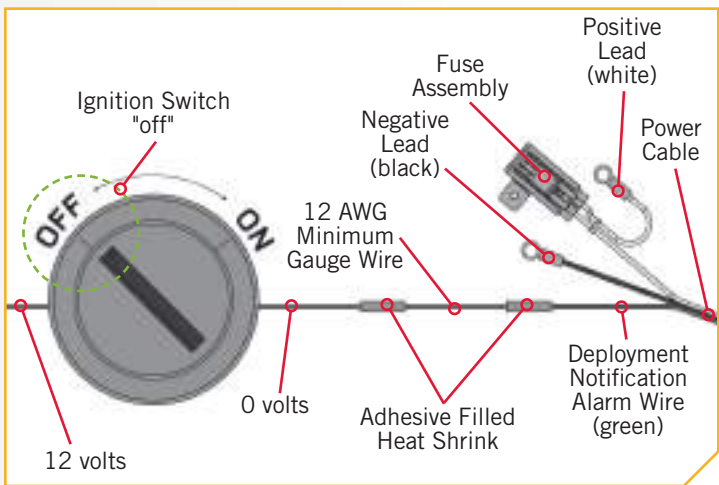
2

- d. The optional Deployment Notification Alarm will be connected to the side of the 12 volt Ignition Switch that lacks power when the switch is turned "off". Use a voltmeter to determine where this connection exists. You may need to turn the Ignition Switch "on" and "off" to verify this connection with the voltmeter. 12 volts should be present at the connection when the ignition switch is turned to the "on" position and no voltage should be present when the switch is turned to the "off" position.
- e. Next determine if the Deployment Notification Alarm Wire is long enough to reach the intended connection. If additional wire is needed, use a wire that is no smaller than 12 AWG.



3

- f. Be sure that the Ignition Switch is turned to the "off" position. Cut off the sealed end of the green Deployment Notification Alarm Wire on the Power Cable and splice it to the 12 AWG minimum gauge wire, or if there is enough slack in the wire, directly to the switched side of the Ignition Switch that was just tested. Use an adhesive filled heat shrink to waterproof and secure the splice.
- g. If an additional wire was used, close the final connection between the Ignition Switch and the additional 12 AWG wire and seal with an adhesive filled heat shrink.

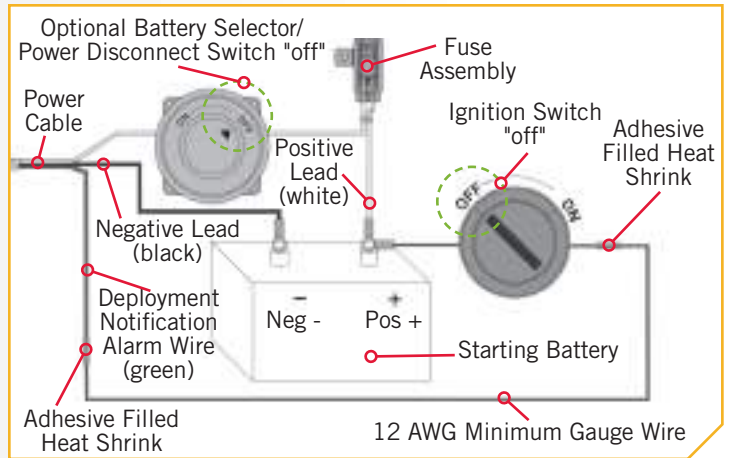


NOTICE: When properly installed the alarm will only sound when the ignition key is turned on when the Talon is not fully retracted.

INSTALLING THE POWER CABLE AND DEPLOYMENT NOTIFICATION ALARM WIRE

4

- h. If connecting to an optional battery selector/power disconnect switch, turn it to the "off" position before connecting the Power Cable.
- i. The positive white lead wire coming from the Power Cable has a red band and contains the Fuse Assembly. This wire connects to the Starting Battery positive (+) terminal or the battery selector positive. Connect the black negative lead of the Power Cable to the Starting Battery negative (-) terminal. If additional wiring needs to be used to make the connections, please see the Battery and Wiring Installation Section of this manual. Secure any splices with an adhesive filled heat shrink tube. Make sure that the Fuse Assembly is used.



NOTICE: For proper American Boat & Yacht Council Compliance, if the Fuse Assembly is removed, the user must install a 30 amp fuse within 7" of the positive battery terminal (+).

5

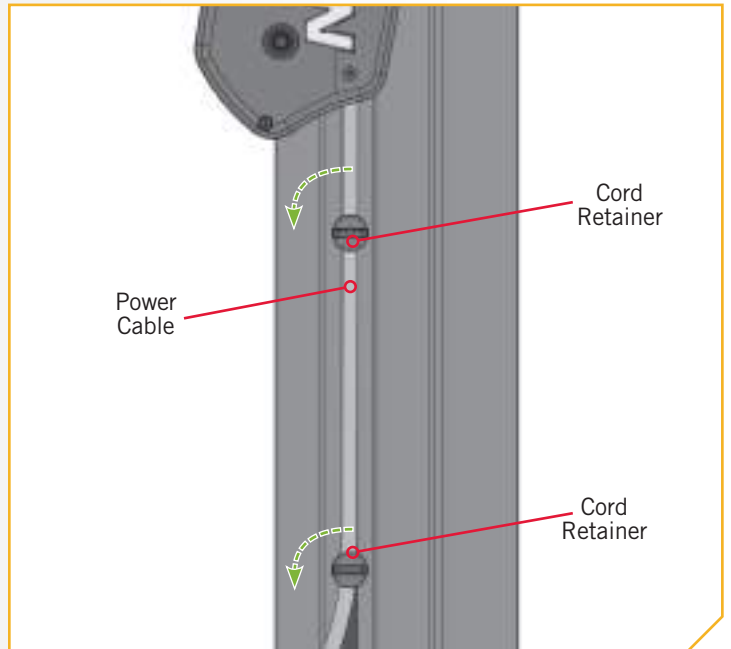
ITEM(S) NEEDED

 #14 x 2

- j. Once the Power Cable has been routed, connected and secured, the remaining loose cable may be pushed inside the Assembly Track that runs vertically along the outside column of the Talon.

NOTICE: Depending on your wiring, there may be more or less slack in the Power Cable. The Cord Retainers use and placement will vary from installation to installation.


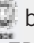


- k. Take the two Cord Retainers (Item #14) and push the t-slot portion of them into the Assembly Track. Once positioned use a pair of pliers to turn the Cord Retainer 90 degrees in the Assembly Track to lock it in place.

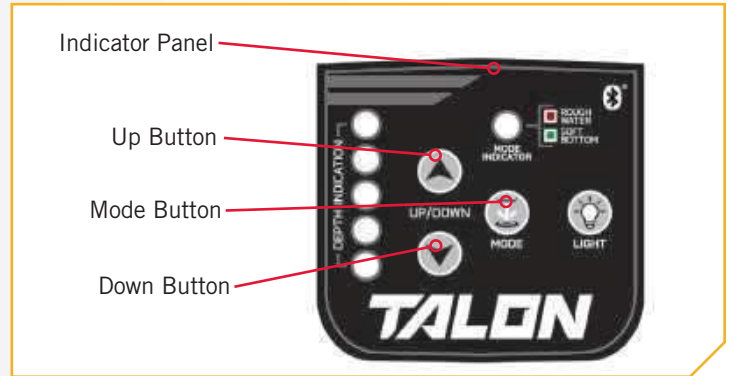


› Verifying Installation


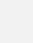
Once installation is complete, use the following procedure to verify installation and confirm your Talon is ready to use.

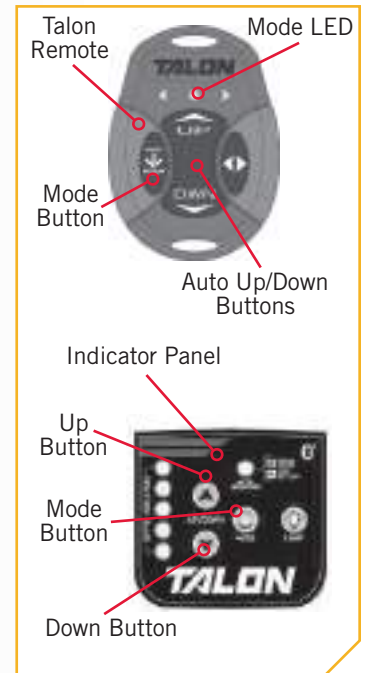
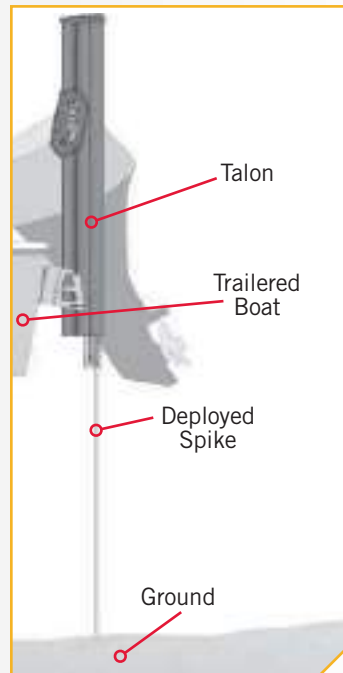
1





- a. For this test your Talon must be able to deploy and make contact with the ground without hitting any obstructions. Carefully inspect the area around the Talon for any obstructions that may interfere with deployment.
- b. If using a battery selector, or power disconnect switch, turn the selector switch to the “on” position. On the Indicator Panel of the Talon are three buttons needed for this verification, the Up  button, the Down  button and the Mode  button. Press the Mode  button until the Mode LED is unlit.



2

- c. Stand clear of the Talon and push the Down  button. The Talon spike will begin to deploy. The Depth Indication LEDs on the Indicator Panel will track the progress of the Talon as the Spike deploys.
- d. When the Spike comes in contact with the ground, the unit will automatically shut off. After the initial shut off, you will hear two (2) additional deploy cycles (or clicks), each 3-seconds apart from the initial ground contact.
- e. If the Talon functions as described above, press the Up  button. The Talon will fully retract. If the Talon does not function as described, double check all wiring connections and verify proper polarity to white and black power leads and retest.



NOTICE: To perform the same test using the remote instead of the buttons on the Indicator Panel, use the Anchor Mode  button, the Up  button, and the Down  button on the remote. To deploy the anchor on the remote, the Down  button must be double pressed.

BATTERY & WIRING INSTALLATION

BOAT RIGGING & PRODUCT INSTALLATION

For safety and compliance reasons, we recommend that you follow American Boat and Yacht Council (ABYC) standards when rigging your boat. Altering boat wiring should be completed by a qualified marine technician. The following specifications are for general guidelines only.

CAUTION

Please read the following information before connecting your Talon(s) to your battery in order to avoid damaging your product and/or voiding your warranty.

CAUTION

These guidelines apply to general rigging to support your Minn Kota product. Powering multiple Talons or additional electrical devices from the same power circuit may impact the recommended conductor gauge and circuit breaker size. If you are using wire longer than that provided with your unit, follow the conductor gauge and circuit breaker sizing table below. If your wire extension length is more than 25 feet, we recommend that you contact a qualified marine technician.

CAUTION

An over-current protection device (circuit breaker or fuse) must be used. Coast Guard requirements dictate that each ungrounded current-carrying conductor must be protected by a manually reset, trip-free circuit breaker or fuse. The type (voltage and current rating) of the fuse or circuit breaker must be sized accordingly. The table below gives recommended guidelines for circuit breaker sizing.

CONDUCTOR GAUGE AND CIRCUIT BREAKER SIZING TABLE

This conductor and circuit breaker sizing table is only valid for the following assumptions:

1. No more than 2 conductors are bundled together inside of a sheath or conduit outside of engine spaces.
2. Each conductor has 105° C temp rated insulation.
3. No more than 5% voltage drop allowed at full power based on published product power requirements.

Max Amp Draw	Circuit Breaker	Wire Extension Length				
		5 feet	10 feet	15 feet	20 feet	25 feet
30 Amps	30 Amp @ 12 VDC	10 AWG	10 AWG	8 AWG	6 AWG	4 AWG

NOTICE: Wire Extension Length refers to the distance from the batteries to the Talon leads. Maximum Amp Draw values only occur intermittently during select conditions and should not be used as continuous amp load ratings.

Reference

United States Code of Federal Regulations: 33 CFR 183 – Boats and Associated Equipment ABYC E-11: AC and DC Electrical Systems on Boats

SELECTING THE CORRECT BATTERIES

SELECTING THE CORRECT BATTERIES

The Talon will operate with any lead acid, marine 12 volt battery. For best results, Minn Kota recommends connecting to the starting battery. Maintain battery at full charge. Proper care will ensure having battery power when you need it, and will significantly improve the battery life. Failure to recharge lead-acid batteries (within 12-24 hours) is the leading cause of premature battery failure. Use a multi-stage charger to avoid overcharging. We offer a wide selection of chargers to fit your charging needs. For more information on battery selection and rigging, please visit minnkotamotors.com.

The Talon draws a small amount of residual current from the battery even when not in use. If the Talon will not be used for more than 5 days, the Talon power leads should be disconnected from the battery. Avoid connecting the Talon to the same batteries that a trolling motor or other accessories are connected to. It is recommended the Talon be connected to the Starting Battery through a battery selector or power disconnect switch. This will disconnect power to the Talon when the Power Switch is "off". If you are not using a battery selector/power disconnect switch, the Talon may be connected directly to the Starting Battery.

WARNING

Never connect the (+) and the (-) terminals of the same battery together. Take care that no metal object can fall onto the battery and short the terminals. This would immediately lead to a short and extreme fire danger.

For proper ABYC compliance, when the factory fuse has been removed, the user must install a 30A fuse within 7" of the positive battery terminal.

NOTICE: The in-line re-settable 30A fuse is designed to protect the system. If this fuse repeatedly trips, faulty wiring could be the cause and must be corrected. If the re-settable fuse itself is suspect, Minn Kota recommends contacting customer service for a proper replacement.

CONNECTING THE BATTERIES

› 12 Volt Systems

1. If connecting to an optional battery selector/power disconnect switch, turn it to the "off" position prior to connecting the power cable.
2. Connect positive (+) white lead to positive (+) battery terminal, or switch positive.
3. Connect negative (-) black lead to negative (-) battery terminal, or switch negative.

WARNING

Observe proper polarity and follow instructions in your boat owner's manual regarding polarity.

CONNECTING THE BATTERIES



WARNING

- The Talon draws a small amount of residual current from the battery even when not in use. If the Talon is not be used for more than 5 days, or while the battery/batteries are being charged, the Talon power leads should be disconnected from the battery. It is recommended the Talon be connected to the Starting Battery through a battery selector or power disconnect switch. This will disconnect power to the Talon when the Power Switch is "off". If you are not using a battery selector/switch, the Talon may be connected directly to the starting battery.
- Keep lead wire connections tight and solid to the battery or switch terminals.
- The Starting Battery should be located in a ventilated compartment to avoid sparks from combustible materials.

THIS COMPLETES THE INSTALLATION OF YOUR TALON. A COMPLETE OWNER'S MANUAL CAN BE DOWNLOADED AT MINNKOTAMOTORS.COM.

RECOMMENDED ACCESSORIES

ON-BOARD & PORTABLE BATTERY CHARGERS

Stop buying new batteries and start taking care of the ones you've got. Many chargers can actually damage your battery over time – creating shorter run times and shorter overall life. Digitally controlled Minn Kota chargers are designed to provide the fastest charge that protect and extend battery life.



MK212PC



MK210D



MK110PD

TALON ACCESSORIES

UNIVERSAL MODULAR ADAPTER BRACKETS

It's easy to choose your bracket, easy to install it and pretty much impossible for anything to stop it. Talon's Universal Modular Adapter Brackets are built stronger than they have to be, and their innovative modular design lets you put Talon in just the right position on your boat.

Unparalleled Strength

We built Talon with uncompromising power. And we built the brackets the exact same way. Made with extruded aluminum and reinforced with rugged construction, our brackets hold Talon steady whether you're trailering or tearing through heavy chop.

Jack Plate Adapter Bracket



1810340

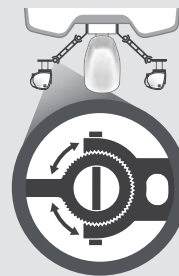
Sandwich-Style Adapter Bracket



1810244
1810303

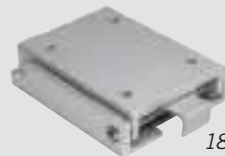
Universal Modular Design

Two brackets. Any transom. The universal design fits any situation, and the brackets can be adjusted and tweaked to the perfect orientation. Two pivot points let you adjust Talon to the perfect orientation (based on your transom style, outboard location and other factors). Once it's in position, interlocking teeth clamp down to lock it into place.



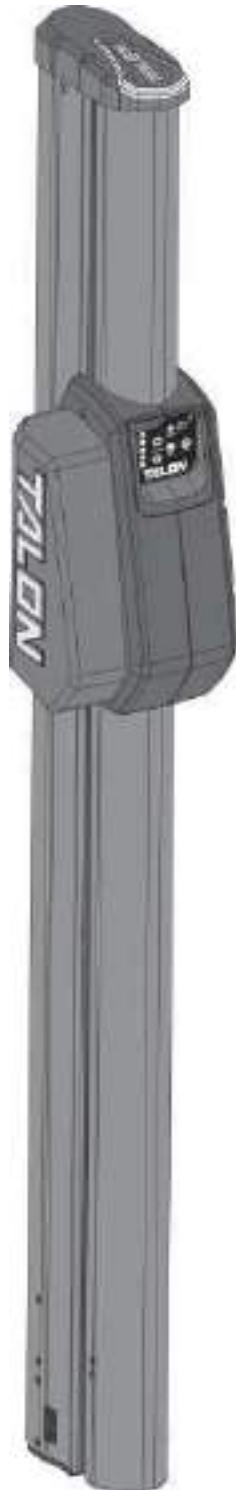
TALON TILT BRACKET

This marine-grade, anodized aluminum tilt bracket accommodates for low-clearance areas and boat storage. Features adjustable deck support for added stability while tilting.



1810222





TALON

▾ SHALLOW WATER ANCHOR ▾

Instructions d'installation

PRÉSENTATION

MERCI

Merci d'avoir acheté l'ancre pour eaux peu profondes Talon Minn Kota^{MD}. Cette ancre révolutionnaire pour eaux peu profondes utilise une technologie de pointe pour livrer des niveaux inégalés de contrôle du bateau. Des fonctionnalités intuitives et un contrôle sans fil permettent au Talon de positionner votre bateau avec précision et d'améliorer la présentation de votre appât. Le Talon tient le bateau en place afin que vous puissiez vous concentrer sur la pêche.

ENREGISTREMENT

N'oubliez pas de conserver votre reçu et d'enregistrer immédiatement votre Talon. Pour bénéficier de tous les avantages de la garantie de votre produit, veuillez remplir et envoyer la carte d'enregistrement par la poste. Vous pouvez aussi enregistrer votre produit en ligne à minnkotamotors.com.

NUMÉRO DE SÉRIE

Le numéro de série à 11 caractères Minn Kota est très important. Cela permet de déterminer le modèle spécifique et l'année de fabrication. Lorsque vous contactez le service à la clientèle ou que vous enregistrez votre article, vous aurez besoin du numéro de série de votre article. Nous vous suggérons d'écrire le numéro de série afin qu'il soit disponible à des fins de référence future.

AVIS : Le numéro de série de votre Talon se trouve sous le boîtier du moteur.



INFORMATIONS SUR LE TALON (À des fins de référence par le client seulement)

Modèle : _____

Serial Number: _____

Numéro de série : _____

Magasin où l'achat a été effectué : _____

AVIS : Ne pas retourner l'article Minn Kota au détaillant. Le détaillant n'est pas autorisé à réparer ou à remplacer cet appareil. Vous pouvez obtenir un service en appelant Minn Kota au 1-800-227-6433; en retournant votre Talon au Centre de service de la manufacture Minn Kota ainsi qu'en envoyant ou en emmenant votre produit à un centre de service agréé de Minn Kota. Une liste de centres de service agréés est disponible sur notre site Web, à minnkotamotors.com. Pour obtenir un service au titre de la garantie, y compris toutes les options susmentionnées, veuillez inclure la preuve d'achat, le numéro de série et la date de l'achat.

CONSIGNES DE SÉCURITÉ

Veillez lire attentivement le manuel de l'utilisateur. Suivre toutes les instructions et respecter toutes les consignes de sécurité. L'utilisation de cet article n'est autorisée que pour les personnes qui ont lu et compris ces instructions. Les mineurs peuvent utiliser ce moteur uniquement sous la supervision d'un adulte.

AVERTISSEMENT

Vous seul êtes responsable de la navigation sécuritaire et prudente de votre bateau ou vaisseau et de vos Talons. Ce produit ne vous exonère pas de la responsabilité de naviguer de façon sécuritaire avec votre bateau. Il peut être dangereux d'utiliser votre Talon dans des conditions d'eaux agitées ou turbulentes, comme les courants rapides ou les conditions environnementales changeantes. Ne pas déployer le Talon en ces conditions, surtout lorsque la topographie subaquatique est inconnue. Le défaut de suivre cet avertissement pourrait entraîner un fonctionnement inattendu ou un défaut de fonctionnement du Talon ou de l'ancre, et pourrait entraîner la mort ou une blessure grave. Vous devez éviter les dangers à l'ancrage et toujours assurer une surveillance permanente afin que vous puissiez conserver le contrôle approprié de votre bateau. Vous devez toujours être prêt à reprendre le contrôle manuel de votre bateau. Apprenez à utiliser votre Minn Kota dans une zone exempte de dangers et d'obstacles.

AVERTISSEMENT

Le Talon doit être déconnecté de la source d'alimentation lorsqu'il n'est pas utilisé ou lorsqu'il est hors de l'eau. Au moment de brancher les câbles d'alimentation du Talon à la batterie ou l'interrupteur, veiller à ce qu'ils ne soient pas entortillés ni exposés au frottement, puis les placer de telle manière que personne ne risque de trébucher. Avant d'utiliser le Talon, s'assurer que l'isolant des câbles d'alimentation n'est pas endommagé. Ne pas tenir compte de ces mesures de sécurité peut entraîner des courts-circuits avec les batteries ou le produit. Toujours déconnecter le Talon des batteries avant le nettoyage ou la vérification. En cas d'opération imprévue, retirez les câbles d'alimentation à la batterie. Éviter de submerger le produit entier, puisque l'eau peut s'infiltrer, entraînant des dommages importants au produit. Ces dommages ne seront pas couverts par la garantie. Le niveau de pression sonore constant du Talon au moment de l'utilisation est inférieur à 70 dB (A). Le niveau de vibration général ne dépasse pas $8,2 \text{ pi/s}^2$ ($2,5 \text{ m/s}^2$).

AVERTISSEMENT

Veillez à ce que ni vous ni d'autres personnes ne vous approchiez trop près du pieu du Talon, que ce soit seulement avec une partie du corps ou des objets. Le Talon est puissant et pourrait provoquer des situations périlleuses ou des blessures, pour vous ou les autres. Lorsque le Talon est en marche, être alerte pour les personnes qui nagent ou les objets flottants. Les personnes dont la capacité à faire fonctionner le Talon est affaiblie par l'alcool, la drogue, les médicaments ou d'autres substances ne sont pas autorisées à utiliser ce produit.

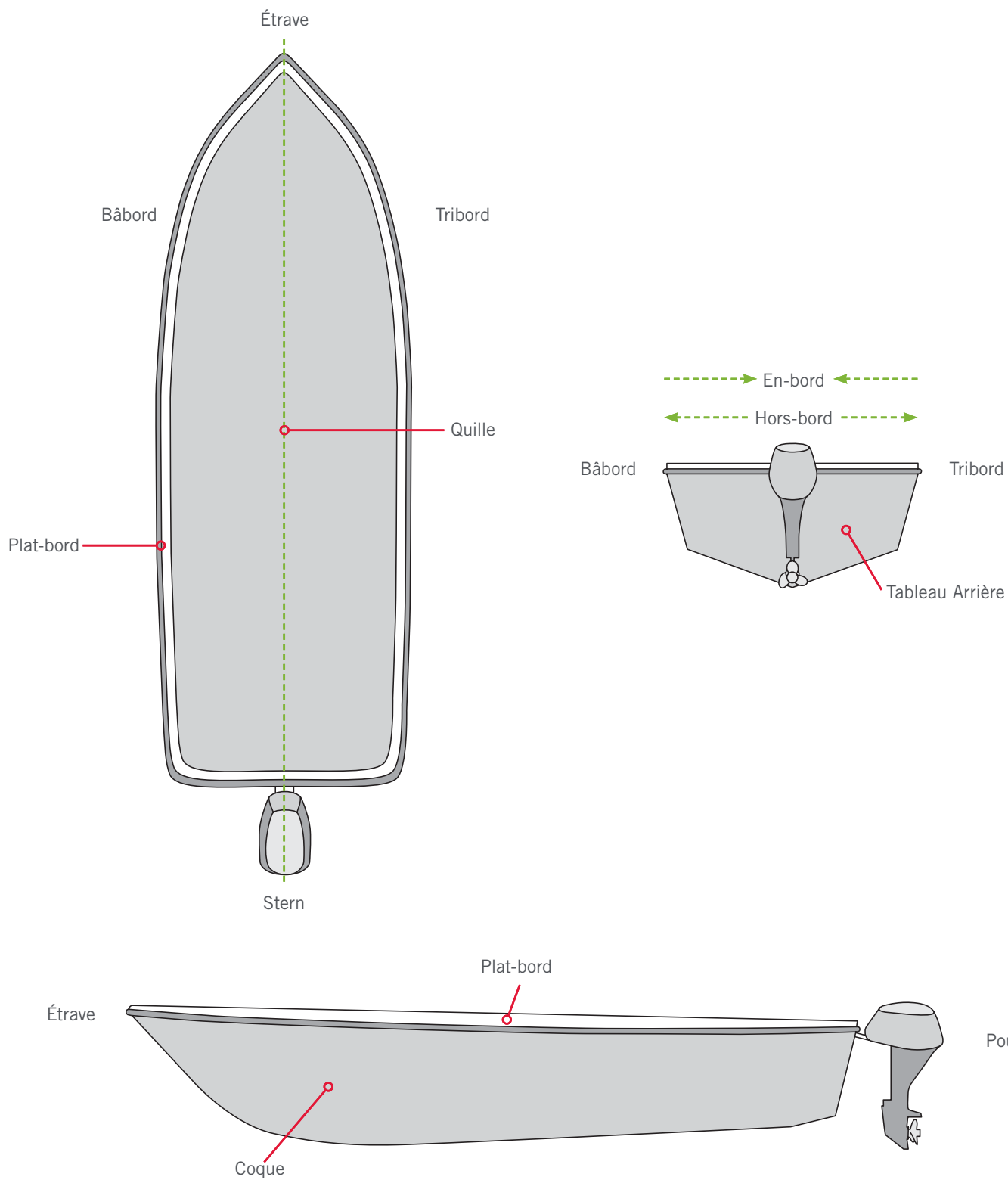
ATTENTION

Ne jamais laisser le bateau sans surveillance avec le Talon comme seule ancre. Le Talon n'est pas destiné à fournir l'ancrage principal.

AVERTISSEMENT

On recommande d'utiliser exclusivement les accessoires approuvés par Johnson Outdoors avec votre Talon. L'utilisation d'accessoires non approuvés, y compris pour monter ou contrôler votre produit, pourrait causer des dommages, un fonctionnement inattendu et des blessures. Veiller à utiliser le produit ainsi que les accessoires approuvés, y compris les télécommandes, en toute sécurité et de la manière indiquée pour éviter un fonctionnement accidentel ou inattendu. Ne pas retirer les pièces installées en usine, y compris les couvercles, boîtiers et protections du moteur et des électroniques et des accessoires. Le défaut de respecter cet avertissement pourrait affecter la garantie.

CONNAISSEZ VOTRE BATEAU



INSTALLATION

INSTALLATION DU TALON

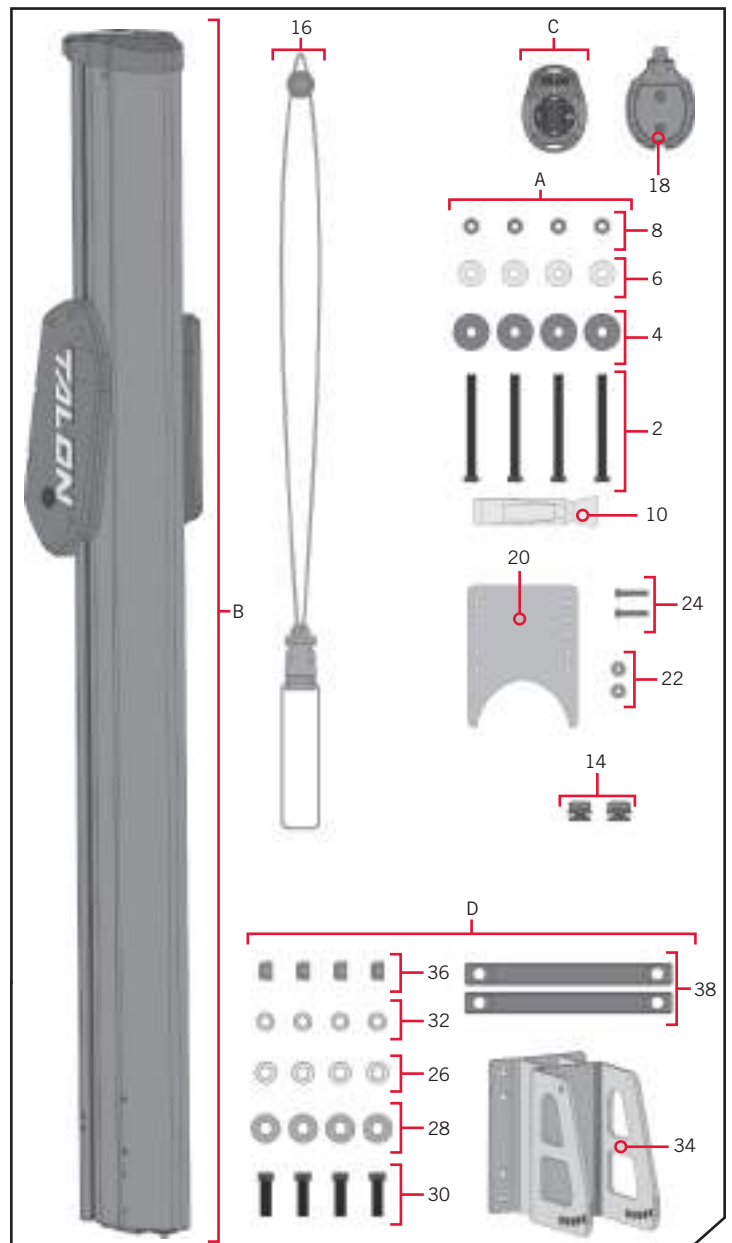
Votre nouveau Talon est livré avec toute la quincaillerie qu'il vous faut pour l'installer directement sur le tableau arrière de votre bateau. Si votre tableau arrière est de forme irrégulière qui ne peut accepter un montage direct, ou si vous préférez monter votre Talon avec un support adaptateur pour en faciliter le montage ou le retrait, veuillez visiter minnkotamotors.com pour des précisions au sujet de nos supports adaptateurs Talon. Pour l'installation avec un support adaptateur Talon, consultez les directives d'installation fournies avec le support. Pour des supports adaptateurs Talon, pour trouver le détaillant le plus près ou pour d'autre soutien du produit, veuillez visiter minnkotamotors.com. Pour installer le Talon directement sur le bateau, veuillez suivre les directives fournies dans ces instructions d'installation. Avant de commencer, veuillez examiner la liste des pièces et des outils nécessaires à l'installation.

LISTE DE PIÈCES D'INSTALLATION

Article/ Assemblage	N° de Pièce	Description	Qté
A Articles 2-12	2994903	TALON HARDWARE BAG ASSY	1
2	2373525	BOLT-5/16-18 X 3 1/2" HHCS SS	4
4	2371749	WASHER-FLAT 5/16 SS	4
6	2371752	WASHER-FENDER, 5/16, SS	4
8	2223100	NUT-5/16-18 NYLOCK S/S	4
10	2378608	ANTI SEIZE TUBE, 4CC, TALON	1
12	2014802 ▲	BAG-ZPLCK(4x6)4ML ANTISTATIC	1
B	✖	TALON ASSEMBLY	1
14	2372930	CORD RETAINER	2
16	2390801	LANYARD, REMOTE	1
C	2994150	NEW BT TRANSMITTER ASSY	1
18	2371829	BRACKET, RMT DASH MNT HLDR	1
20	2376447	WATER SHIELD, DEFLECTOR - TALON 2	1
22	2371754	#8 WASHER, 1/2" OD, SS	2
24	2263434	#8-18 X 1 SS PPH	2
D Articles 26-38	✖	MOUNTING BRACKET ASSEMBLY	1
26	2371758	WASHER-3/8 HD FLAT SS	4
28	2378716	GUARD, EXTRUSION BRACKET	4
30	2383459	SCREW-3/8-24 X 1.25 HHCS SS	4
32	3391706	WASHER-LOCK 3/8"	4
34	2378725	BRACKET-TILT, MACH (SUB)	1
36	2373138	3/8-24 NYLOK NUT, SS	4
38	2373815	TALON MOUNTING STRAP	2
40	2377170 ▲	MANUAL, TALON BT	1
42	2377171 ▲	MANUAL, INSTALL GUIDE T3	1

✖ Cette pièce est incluse dans un ensemble et ne peut pas être commandée individuellement.

▲ Non visible sur le schéma des pièces.



INSTALLATION DU TALON

FACTEURS DE MONTAGE

Minn Kota recommande le montage du Talon directement sur le tableau arrière du bateau avec le support de montage. Votre Talon est livré avec toute la quincaillerie nécessaire pour le monter directement sur le tableau arrière/la poupe. Le Talon peut aussi être monté à l'aide d'une plaque d'adaptation en option, lorsque le montage direct au tableau arrière n'est pas possible ou désiré en raison d'obstructions ou de tableaux arrière à forme irrégulière. Pour de plus amples informations au sujet des supports adaptateurs universels et d'autres accessoires Minn Kota® Talon, veuillez visiter minnkotamotors.com. Lors de l'utilisation d'un support adaptateur pour monter le Talon, veuillez utiliser les instructions incluses avec l'accessoire.

Afin d'utiliser l'installation par montage direct, les conditions suivantes doivent être respectées :

1. Montage sans obstruction : lors de la sélection de l'emplacement de montage avec support de montage du Talon, examiner le bateau afin de s'assurer de ne pas percer une obstruction et que la quincaillerie sera accessible pour l'assemblage.

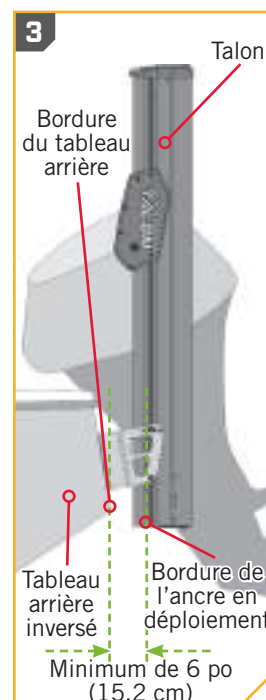
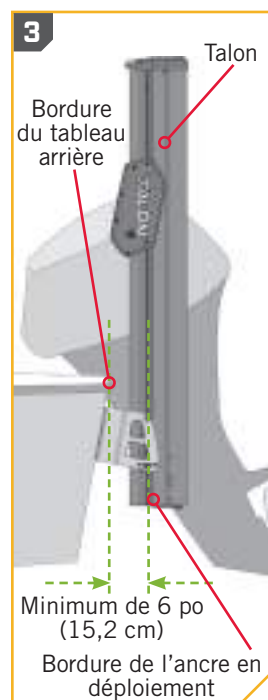
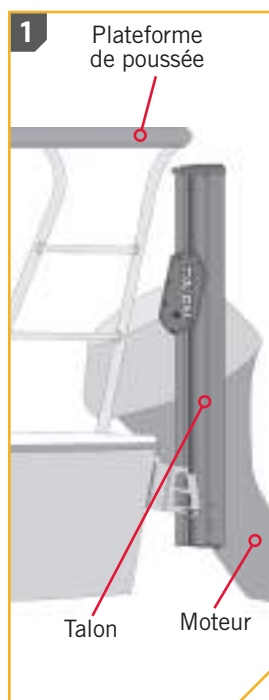
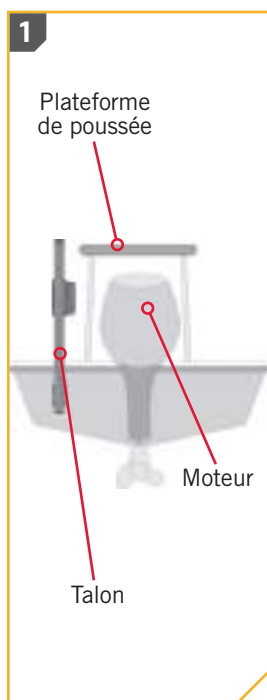
2. Déploiement et rétraction sans obstruction : Talon est conçu pour être monté soit sur le côté bâbord ou tribord du tableau arrière. Talon doit avoir une voie claire, sans obstruction pour le déploiement. S'assurer que l'emplacement proposé permettra le déploiement et la rétraction de l'ancre sans heurter les volets, les plateformes de poussée, les échelles, le moteur ou d'autres obstructions. On devrait aussi tenir compte des méthodes de pêche lors de la sélection de l'emplacement de montage.

3. Dégagement du tableau arrière au Talon : le support de montage Talon inclus avec l'unité permettra un dégagement d'environ 6 po (15,2 cm) entre le tableau arrière et la bordure avant de l'ancre en déploiement. **Lors du montage du support de montage du Talon directement sur le tableau arrière, Minn Kota recommande d'installer le support de montage à l'emplacement le plus haut possible.** Cela donnera le dégagement maximal et la plus grande quantité d'ajustabilité verticale et angulaire.



Consulter les accessoires disponibles pour votre Talon à minnkotamotors.com.

AVIS : Certains bateaux peuvent être fabriqués avec un tableau arrière à angle inversé. Dans ces cas, le support de montage du Talon peut être monté à l'envers pour compenser l'angle inversé.



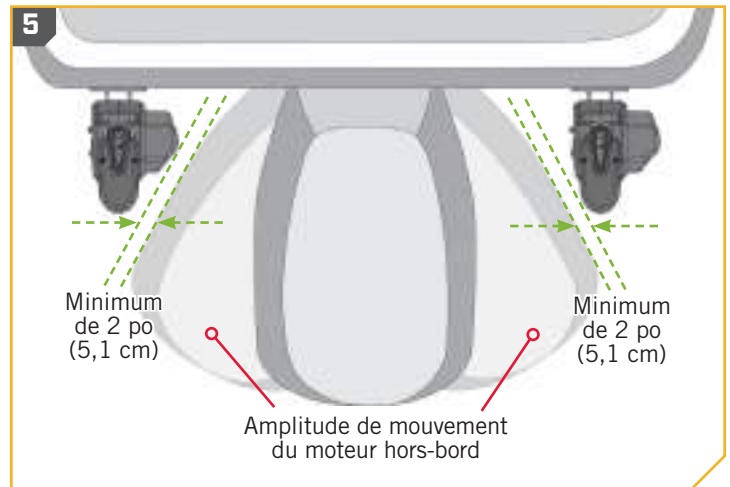
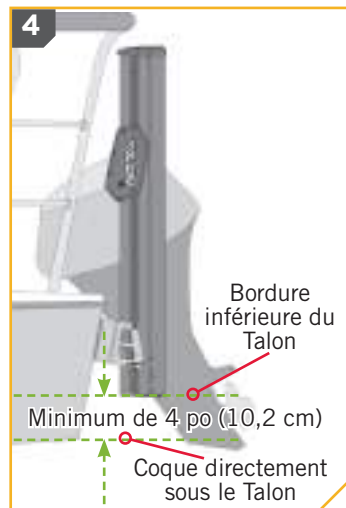
INSTALLATION DU TALON

4. Dégagement du Talon à la coque : la bordure inférieure du Talon ne devrait jamais être inférieure à 4 po (10,2 cm) au-dessus de la coque, directement sous le Talon afin d'empêcher des conditions de jet d'eau ou de traînée.

5. Dégagement du Talon au moteur : lors de la sélection d'un emplacement de montage, s'assurer qu'il n'y a aucune interférence entre le Talon et le moteur au cours du fonctionnement normal. Lorsque l'emplacement de montage est sélectionné, ajuster la compensation du moteur au maximum vers le haut et le bas, et tourner le moteur complètement vers le côté sélectionné et vers le côté opposé. S'assurer qu'il y a au moins 2 à 3 pouces (5,1 à 7,6 cm) de dégagement de tout point sur le Talon.

AVIS : Le Talon devrait être monté sur tous les bateaux de pêche de façon aussi égale que possible au bas du support de montage du Talon afin d'atténuer les jets d'eau lorsque le bateau circule.

AVIS : Dans certains cas, les fabricants de bateaux ont commencé à fabriquer des tableaux arrière vides sur les bateaux. Nous recommandons d'en discuter avec le détaillant local de bateaux ou le fabricant du marché de l'équipement d'origine (MEO) pour des recommandations de montage.



Si ces conditions ne sont pas respectées, songer à une plaque d'adaptation en option. Il existe plusieurs plaques d'adaptation qui permettent une plus grande ajustabilité du montage et qui permettent de plus grands dégagements pour faire fonctionner le Talon. Veuillez visiter minnkotamotors.com pour en apprendre davantage au sujet de la sélection et l'installation de la plaque d'adaptation.

ATTENTION

Suivre toutes les instructions et respecter toutes les consignes de sécurité. Minn Kota recommande de se faire aider par une deuxième personne pour l'installation. Ne pas suivre les instructions appropriées d'installation et de gréement pourrait entraîner des blessures. Le montage trop bas du Talon peut entraîner trop de traînée du Talon ou du support de montage lors du fonctionnement du bateau. Il est important de monter le Talon selon les recommandations afin d'éviter des conditions de conduite non sécuritaire.

OUTILS ET RESSOURCES NÉCESSAIRES >

- Perceuse
- Mèche de 5/16 po (7,9 mm)
- Clé polygonale ou à cliquet de 1/2 po (12,7 mm)
- Scellant de qualité marine
- Clé polygonale ou à cliquet de 9/16 po (14,3 mm)
- Attaches de câble
- Ruban à mesurer
- Pincettes
- Clé dynamométrique d'une capacité de 30 pi-lb (40 Nm)
- Crayon ou autre outil de marquage semblable
- Câble d'au moins 12 AWG
- Une deuxième personne pour aider avec l'installation
- Gaine thermorétractible avec adhésif
- Voltmètre

INSTALLATION DU TALON

INSTALLATION >

> Installation du Talon

1

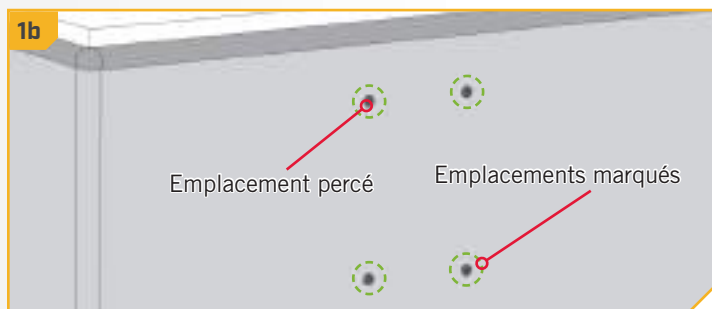
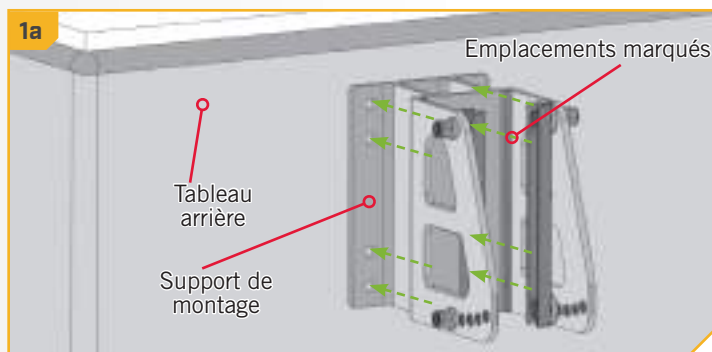
ARTICLE(S) REQUIS



#D x 1

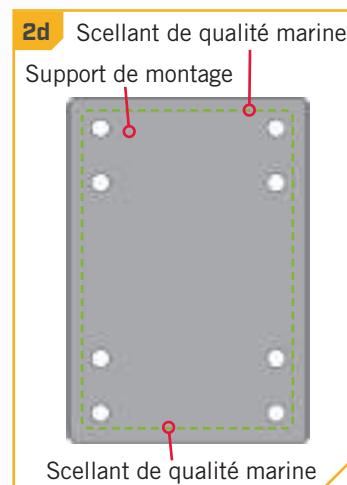
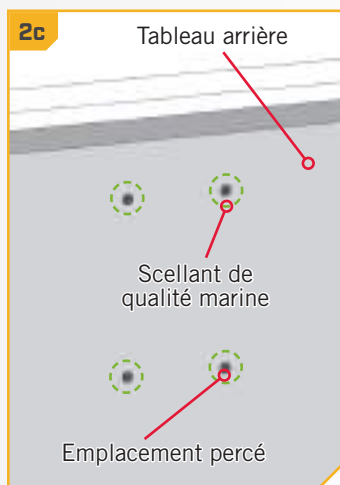
- Relire les facteurs de montage afin de déterminer s'il est acceptable d'effectuer un montage direct du support de montage du Talon. Si acceptable, placer le support de montage (article n° D) à l'emplacement sélectionné et marquer les trous de montage avec un crayon ou un outil de marquage semblable. Les huit trous de montage peuvent être utilisés avec au moins un boulon dans chaque coin du support, ou deux de chaque côté.
- Revérifier que l'emplacement de montage est dégagé pour percer les trous, ensuite utiliser une perceuse avec une mèche de 5/16 po (7,9 mm) pour percer le tableau arrière/la poupe du bateau aux emplacements marqués.

AVIS : Lors du perçage des trous marqués, s'assurer que la mèche est perpendiculaire au tableau arrière/à la poupe du bateau et que les trous sont percés droit. Ne pas percer les trous droits entraînera un mauvais ajustement de la quincaillerie de montage.



2

- Placer un cordon de 1/8 po (0,3 cm) de scellant de qualité marine sur le tableau arrière du bateau, autour des trous percés.
- Placer le scellant de qualité marine sur la surface du support de montage qui sera en contact avec le tableau arrière/la poupe du bateau, une fois monté. Garder le scellant centré approximativement entre la bordure extérieure du support de montage et les trous de montage. Lorsque le scellant est en place, aligner le support de montage dans l'orientation désirée avec les trous qui étaient percés dans le tableau arrière/la poupe.



3

ARTICLE(S) REQUIS

#2 x 4

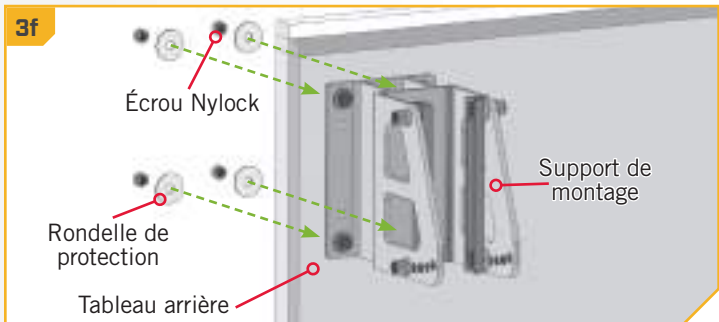
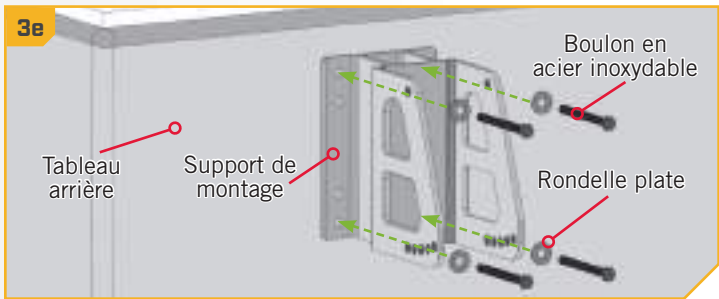
#4 x 4

#6 x 4

#8 x 4

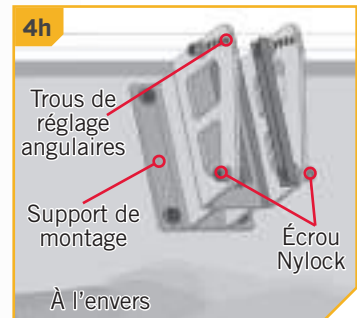
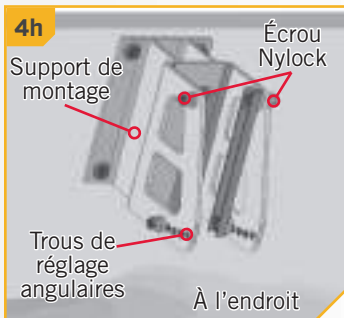
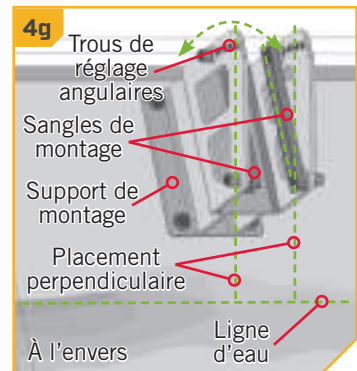
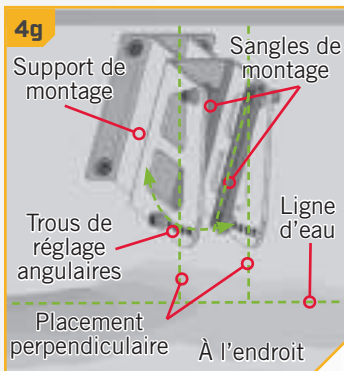
- e. Prendre chacun des quatre boulons en acier inoxydable de 3 1/2 po (8,9 cm) (article n° 2) et placer une rondelle plate (article n° 4) dessus. Placer un boulon sur chacun des trous de montage afin qu'il passe dans le support de montage et les trous percés du tableau arrière du bateau.
- f. Placer une rondelle de protection (article n° 6) sur l'extrémité de chaque boulon à l'intérieur du tableau arrière, ensuite fixer chacun avec un écrou Nylock (article n° 8). Serrer les boulons avec une clé polygonale ou à cliquet de 1/2 po (12,7 mm). Ne pas trop serrer.

AVIS : Pour prévenir le grippage de la quincaillerie en acier inoxydable, n'utilisez pas d'outils haute vitesse pour l'installation. D'appliquer un antigrippant peut aider à prévenir qu'elles grippent.



4

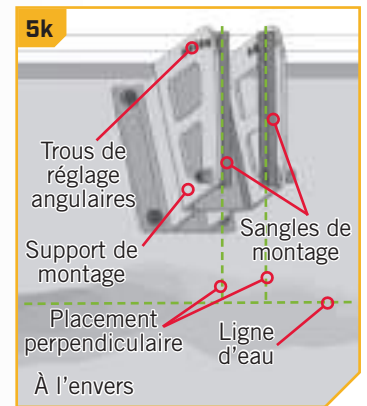
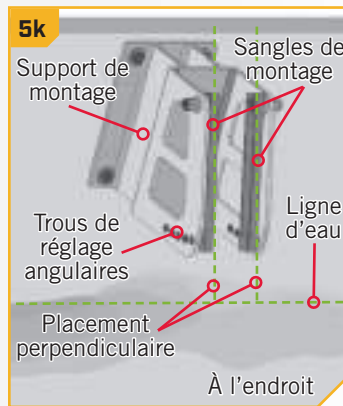
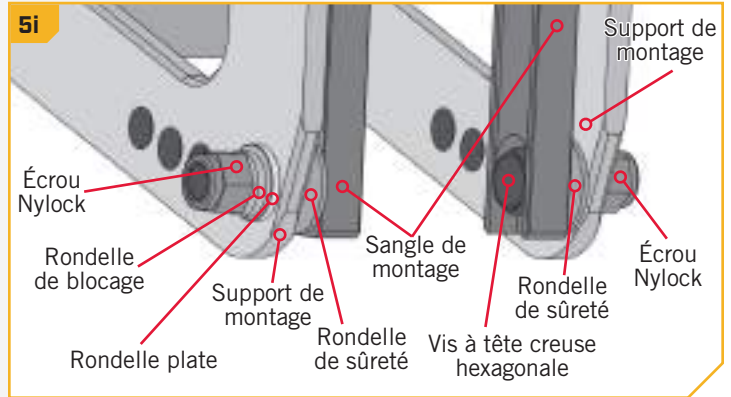
- g. Lorsque le support de montage est fixé, noter les sangles de montage situées à l'intérieur du support de montage. Les sangles de montage doivent être ajustées afin qu'elles soient aussi perpendiculaires que possible à la ligne d'eau. Les cinq trous de réglage angulaires situés à une extrémité des sangles de montage permettent un mouvement de 25 degrés pour s'adapter à la variabilité de divers styles de tableaux arrière.
- h. Si les sangles de montage ne sont pas perpendiculaires, utiliser une clé polygonale ou à cliquet de 9/16 po (14,3 mm). Le boulon qui traverse la sangle de montage, en face des trous de réglage angulaires, doit être desserré, mais non retiré.



INSTALLATION DU TALON

5

- i. Ensuite, noter la position des écrous, des rondelles et des vis qui tiennent la sangle de montage en place. Les vis à tête creuse hexagonale passent de l'intérieur à l'extérieur du support. Elles passent à travers la sangle de montage, ensuite une rondelle de sûreté, ensuite le support de montage. À l'extérieur du support, la vis tient d'abord une rondelle plate, ensuite une rondelle de blocage, avant d'être fixée par un écrou Nylock.
- j. Lorsque l'écrou de Nylock approprié a été desserré, trouver l'écrou Nylock de l'autre côté de l'écrou desserré sur la sangle de montage et le retirer.
- k. Ajuster les sangles de montage afin qu'elles soient aussi perpendiculaires que possible à la ligne d'eau.

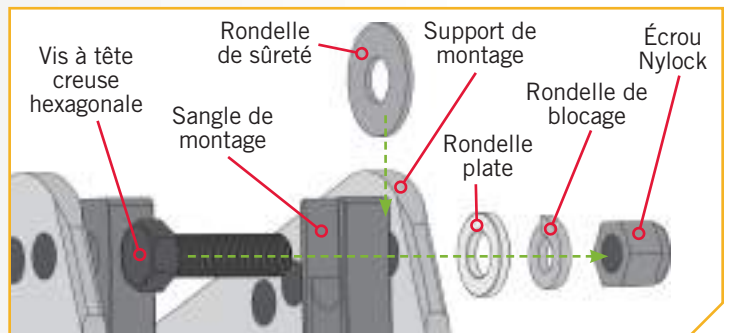
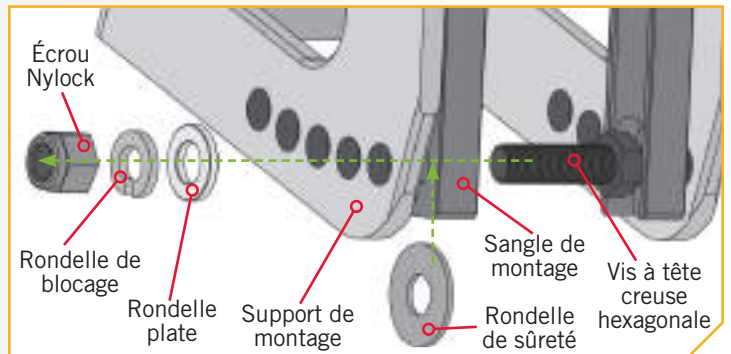


⚠ ATTENTION

Ne pas utiliser le support de montage ni le Talon comme marche pour entrer dans le bateau. Le support sera glissant lorsque mouillé et n'est pas conçu pour soutenir des personnes. Utiliser ce produit comme marche peut entraîner des blessures.

6

- l. Une fois perpendiculaire, replacer la quincaillerie qui a été retirée en sélectionnant un des cinq trous de réglage angulaires qui soutiendront la sangle de montage à la position la plus perpendiculaire.
- m. Pour replacer les boulons, les passer de l'intérieur vers l'extérieur, à travers la sangle de montage, ensuite la rondelle de sûreté, le support de montage, une rondelle plate et une rondelle de blocage. Fixer ensuite lâchement l'écrou Nylock. Les écrous seront serrés complètement plus tard dans l'installation.



AVIS : Pour prévenir le grippage de la quincaillerie en acier inoxydable, n'utilisez pas d'outils haute vitesse pour l'installation. La quincaillerie qui tient les sangles de montage a un antigrippant préappliqué.

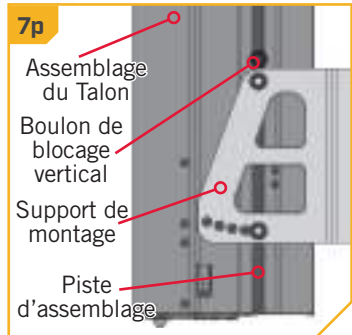
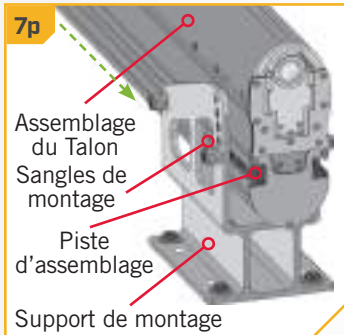
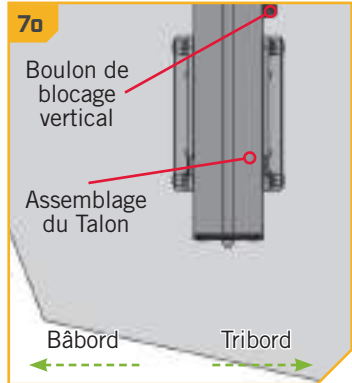
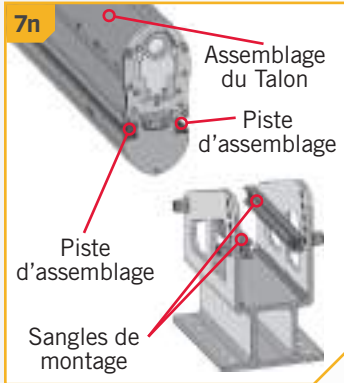
7

ARTICLE(S) REQUIS



AVIS : Nous recommandons de se faire aider par une deuxième personne pour cette étape de l'installation.

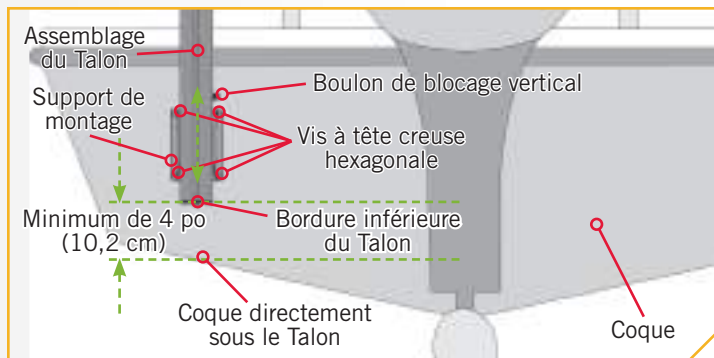
- n. L'assemblage du Talon doit être installé sur le support de montage. Prendre l'assemblage du Talon (article n° B) et remarquer qu'il y a une piste d'assemblage située sur les deux côtés du Talon.
- o. Lorsque le Talon est orienté comme il le serait une fois installé, il y a un boulon de blocage vertical unique situé sur le côté tribord du Talon, longeant la piste d'assemblage. Le boulon de blocage vertical est utilisé comme point de référence ou de guidage pour bloquer le Talon et placer les sangles de montage dans la piste d'assemblage. S'assurer que le boulon de blocage vertical est fixé dans la position finale approximative.
- p. Lever avec précaution l'assemblage du Talon dans le support de montage et aligner les sangles de montage avec la piste d'assemblage. Faire glisser les rondelles de sûreté sur la paroi intérieure du support de montage afin qu'elles soient entre le support et l'assemblage du Talon. Faire glisser l'assemblage du Talon vers le bas sur les pistes d'assemblage jusqu'à ce qu'il soit en contact avec le boulon de blocage vertical.



INSTALLATION DE L'ÉCRAN DE DÉFLEXION D'EAU

8

- q. En soutenant l'assemblage du Talon, l'ajuster, ainsi que le boulon de blocage vertical, vers le haut et le bas, dans le support de montage afin que le bas de l'assemblage du Talon soit à au moins 4 po (10,2 cm) au-dessus du bas de la coque du bateau, ou de la ligne d'eau du bateau. Une fois en place, serrer temporairement le boulon de blocage vertical.
- r. Revérifier le placement de l'assemblage du Talon et s'assurer qu'il respecte les consignes de montage. Faire tout ajustement nécessaire. Lorsque la position de l'assemblage du Talon est acceptable, fixer les quatre vis à tête creuse hexagonale et Écrous Nylock qui tiennent les sangles de montage avec une clé polygonale ou à cliquet de 9/16 po (14,3 mm). Utiliser une clé à cliquet pour serrer à un couple de serrage de 20 à 30 pi-lb (27 à 40 Nm). Serrer le boulon de blocage vertical.



ATTENTION

Vérifier la tension des quatre écrous d'ajustement vertical après la première utilisation, et périodiquement après, afin d'assurer qu'ils sont au couple de serrage recommandé de 20 à 30 pi-lb (27 à 40 Nm).

AVIS : Des ajustements supplémentaires pourraient être nécessaires au montage après un essai initial avec le bateau sur l'eau. Resserrer périodiquement les quatre vis et Écrous Nylock à 30 pi-lb (40 Nm).

Installation de l'écran de déflexion d'eau

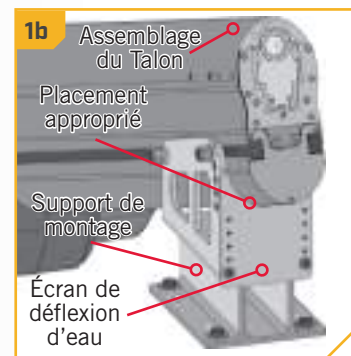
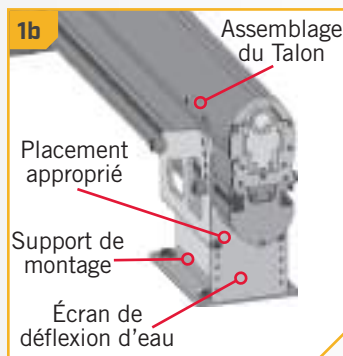
L'écran de déflexion d'eau est conçu pour empêcher des conditions indésirables de jet d'eau lorsque le bateau circule sur l'eau. L'écran de déflexion d'eau est installé après l'installation réussie du Talon sur le bateau. Chaque installation sera différente et dépendante de la position du Talon dans le support de montage. L'écran de déflexion d'eau est installé sur le côté inférieur du support de montage, lorsqu'il est installé sur le bateau. L'installation est conçue pour être réglable pour convenir à diverses positions angulaires.

1

ARTICLE(S) REQUIS

#20 x 1

- a. S'assurer que le Talon est placé selon la recommandation et installé de façon appropriée en révisant la section Installation du Talon de ce manuel.
- b. Une fois terminée, prendre l'écran de déflexion d'eau (article n° 20) et déterminer où il sera installé sur le support de montage. Lorsque bien placée, la bordure courbée de l'écran sera contre la surface de l'assemblage du Talon, qui est placé sur le côté en-bord du support de montage.

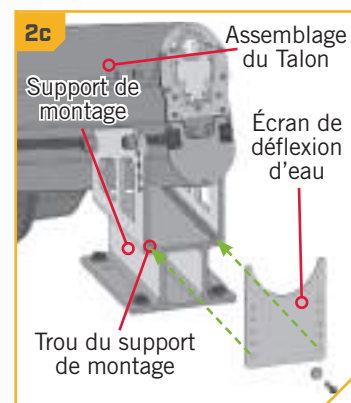
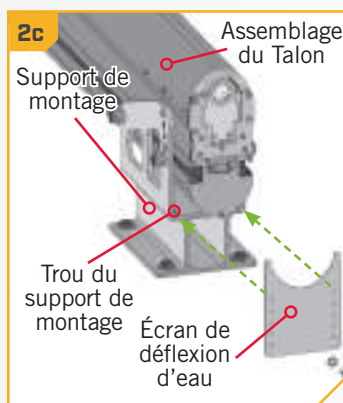


INSTALLATION DE L'ÉCRAN DE DÉFLEXION D'EAU

2

- c. Aligner l'ensemble de trous le plus proche de l'écran aux trous dans le fond du support de montage. L'ensemble de trous utilisé sur l'écran sera différent pour chaque installation individuelle.

AVIS : L'écran de déflexion d'eau sera toujours installé sur le côté inférieur du support de montage, peu importe l'orientation de l'installation du support de montage. Il ne devrait y avoir aucun écart entre l'écran et le Talon.



3

ARTICLE(S) REQUIS

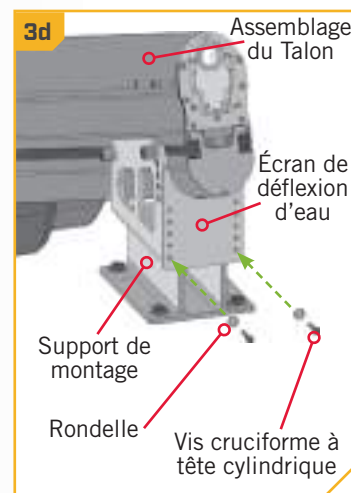
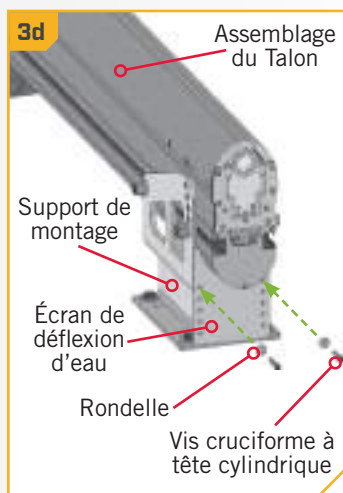
▮ #24 x 1

● #22 x 1

- d. Prendre deux rondelles de 1/2 po (1,3 cm) (article n° 22) et deux vis cruciformes à tête cylindrique de 1 po (2,5 cm) (article n° 24) pour fixer l'écran au support de montage. Placer une rondelle sur chaque vis. La vis devrait traverser une rondelle, ensuite l'écran de déflexion d'eau et entrer dans le support de montage. Fixer les vis à l'aide d'un tournevis n° 2.

AVIS : Pour prévenir le grippage de la quincaillerie en acier inoxydable, n'utilisez pas d'outils haute vitesse pour l'installation. D'appliquer un antigrippant peut aider à prévenir qu'elles grippent.

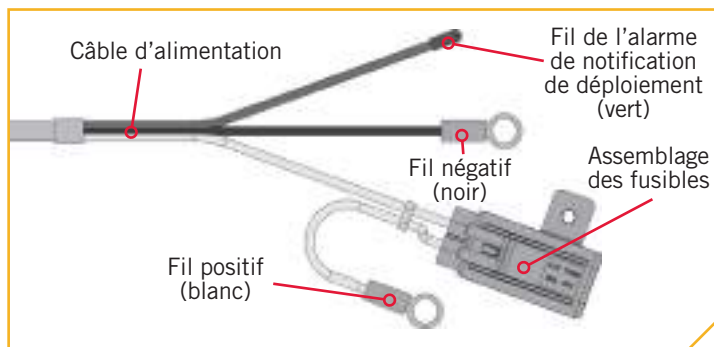
AVIS : Si vous ajustez l'angle du Talon lorsque cette étape est terminée, vous devrez réajuster le placement de l'écran de déflexion d'eau afin d'assurer une fonctionnalité appropriée.



INSTALLATION DU CÂBLE D'ALIMENTATION ÉLECTRIQUE ET DU FIL DE L'ALARME DE NOTIFICATION DE DÉPLOIEMENT

Installation du câble d'alimentation électrique et du fil de l'alarme de notification de déploiement

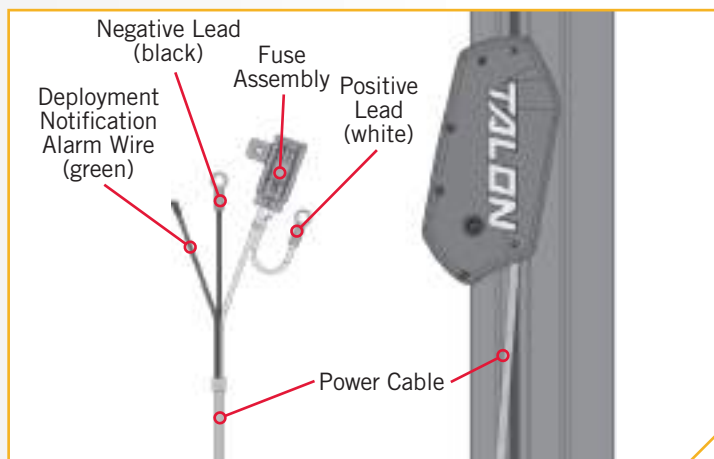
Le câble d'alimentation du Talon comprend un fusible réarmable en ligne de 30 ampères sur le fil positif, un fil négatif et un fil de l'alarme de notification de déploiement. Le fil de l'alarme de notification de déploiement est un fil vert qui arrive du câble d'alimentation et, lorsqu'il est installé, est utilisé pour sonner une alarme lorsque le commutateur d'allumage est en position On (marche) lorsque le Talon est déployé. Lorsqu'il est connecté et que le talon est bien arrimé, aucun son ne sera émis lorsque le commutateur d'allumage est en position On (marche). Minn Kota recommande la connexion du câble d'alimentation à la batterie de démarrage par le biais d'un commutateur de sélection/déconnexion d'alimentation de la batterie. Le Talon puise une petite quantité du courant résiduel de la batterie même s'il n'est pas utilisé. La connexion du fil positif du câble d'alimentation du Talon par le biais d'un commutateur de sélection/déconnexion d'alimentation de la batterie déconnectera l'alimentation au Talon lorsque le commutateur d'allumage est en position Off (arrêt). Le commutateur d'allumage doit avoir une capacité nominale minimale de 60 ampères par Talon. Si vous ne connectez pas le Talon à un commutateur de sélection/déconnexion d'alimentation de la batterie, il peut être connecté directement à la batterie de démarrage, mais devrait être déconnecté de la source d'alimentation lorsque le Talon n'est pas utilisé. Le câble d'alimentation peut être acheminé par plusieurs façons différentes, selon la configuration unique du bateau. On recommande d'acheminer le câble d'alimentation de trouver le chemin le plus court et propre entre le Talon et la connexion à la batterie. Veuillez consulter la section Installation des batteries et du câblage de ce manuel pour de plus amples informations.



AVIS : Il n'est pas nécessaire de connecter le fil de l'alarme de notification de déploiement pour que le Talon fonctionne, mais il est nécessaire pour la conformité aux exigences de la garantie.

1

- Bien inspecter le chemin sélectionné afin d'assurer qu'il n'y a pas d'arêtes vives, d'obstacles ou d'obstructions qui pourraient endommager le câble d'alimentation. Dans le cas d'acheminement le long de l'assemblage du harnais de fils et câbles de hors-bord au gaz, il faudra peut-être ouvrir des attaches ou des raccordements de fils afin de permettre au câble d'alimentation de passer.
- Soigneusement, acheminer le câble d'alimentation sur le chemin prévu. Éliminer tout jeu dans le câble d'alimentation afin qu'il passe sans gonflement, bosse ou pli.
- Le câble d'alimentation du Talon est fendu à l'extrémité pour inclure le fil positif avec un fusible, un fil négatif et ensuite le fil de l'alarme de notification de déploiement. Si vous choisissez de ne pas connecter le fil de l'alarme de notification de déploiement, sautez l'étape 4.

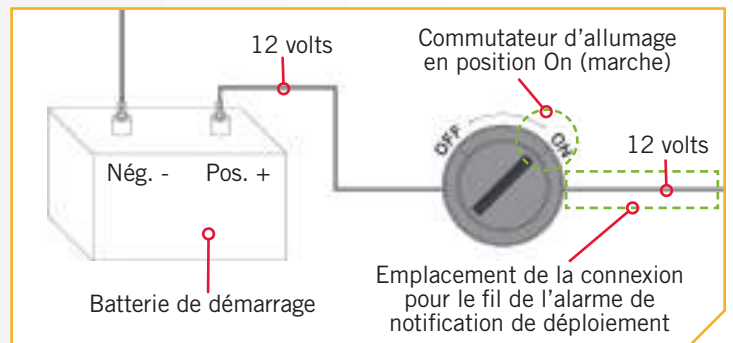
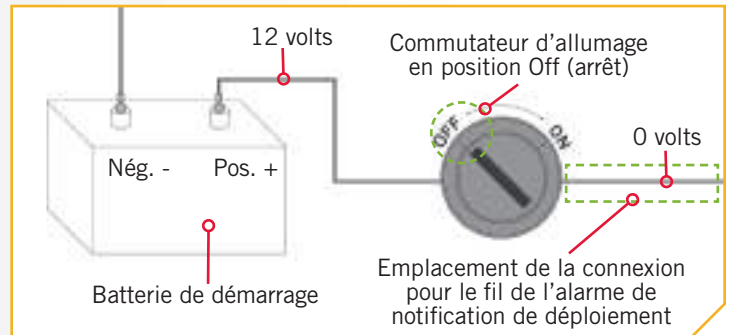


AVIS : En cas d'incertitude sur la façon de câbler le câble d'alimentation du Talon, consulter un technicien marin qualifié.

INSTALLATION DU CÂBLE D'ALIMENTATION ÉLECTRIQUE ET DU FIL DE L'ALARME DE NOTIFICATION DE DÉPLOIEMENT

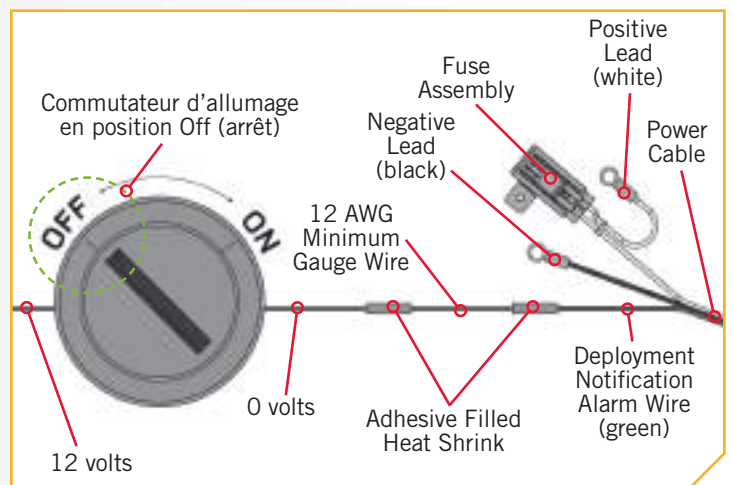
2

- d. L'alarme de notification de déploiement en option sera connectée au côté du commutateur d'allumage de 12 volts qui n'a pas suffisamment d'alimentation lorsque le commutateur est en position Off (arrêt). Utiliser un voltmètre pour déterminer s'il y a une connexion. Il faudra peut-être mettre le commutateur d'allumage en position On (marche) et en position Off (arrêt) pour vérifier la connexion avec le voltmètre. La connexion devrait avoir 12 volts lorsque le commutateur d'allumage est en position On (marche), et aucune tension lorsque le commutateur d'allumage est en position Off (arrêt).
- e. Déterminer ensuite si le fil de l'alarme de notification de déploiement est suffisamment long pour se rendre à la connexion prévue. S'il faut un fil plus long, utiliser un fil d'au moins 12 AWG.



3

- f. S'assurer que le commutateur d'allumage est en position Off (arrêt). Couper l'extrémité scellée du fil vert de l'alarme de notification de déploiement sur le câble d'alimentation et l'épissure au fil de calibre nominal minimal de 12 AWG, ou si le fil est suffisamment long, directement au côté commuté du commutateur d'allumage qui vient d'être essayé. Utiliser une gaine thermorétractible remplie d'adhésif pour rendre l'épissure hydrofuge et sécurisée.
- g. Si un fil supplémentaire a été utilisé, fermer la connexion finale entre le commutateur d'allumage et le fils supplémentaire de 12 AWG, et sceller avec une gaine thermorétractible remplie d'adhésif.

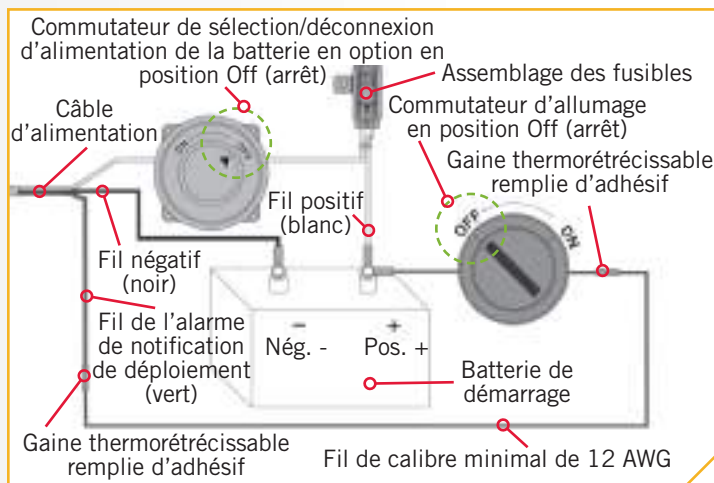


AVIS : Lorsque bien installée, l'alarme ne sonnera que lorsque la clé de contact est en position de marche lorsque le Talon n'est pas complètement rétracté.

INSTALLATION DU CÂBLE D'ALIMENTATION ÉLECTRIQUE ET DU FIL DE L'ALARME DE NOTIFICATION DE DÉPLOIEMENT

4

- h. Lors d'une connexion à un commutateur de sélection/déconnexion d'alimentation de la batterie en option, le mettre en position Off (arrêt) avant de le connecter au câble d'alimentation.
- i. Le fil positif blanc provenant du câble d'alimentation a une bande rouge et comprend l'assemblage des fusibles. Ce fil se connecte à la borne positive (+) de la batterie de démarrage ou au sélecteur de batterie est à positif. Connecter le fil négatif noir du câble d'alimentation à la borne négative (-) de la batterie de démarrage. Si on doit utiliser du câblage supplémentaire pour les connexions, consulter la section Installation des batteries et du câblage de ce manuel. Fixer toutes les épissures avec une gaine thermorétractible remplie d'adhésif. S'assurer que l'assemblage des fusibles est utilisé.



AVIS : Pour une conformité appropriée au American Boat & Yacht Council, si l'assemblage des fusibles est retiré, l'utilisateur doit installer un fusible de 30 ampères à moins de 7 po (17,8 cm) de la borne positive (+) de la batterie.

5

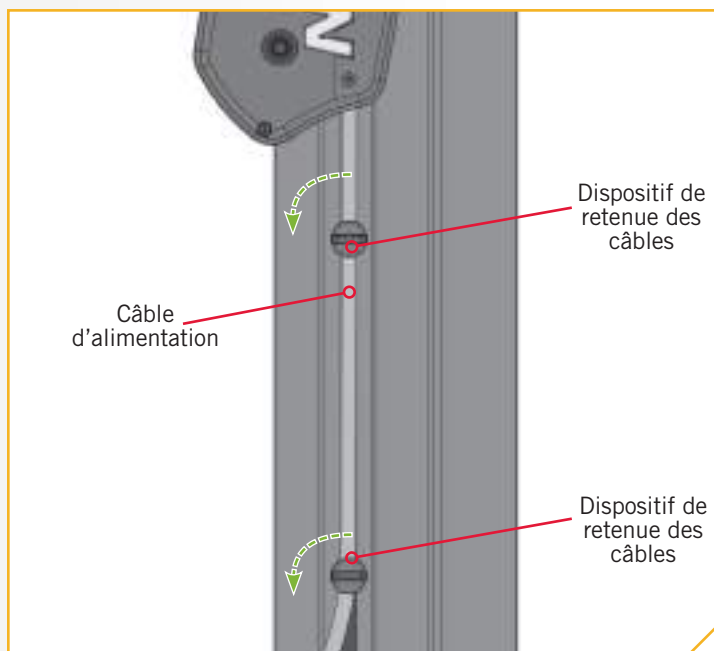
ARTICLE(S) REQUIS

 #14 x 2

- j. Lorsque le câble d'alimentation a été acheminé, connecté et sécurisé, le reste du câble libre peut être poussé à l'intérieur du chemin d'assemblage qui court verticalement le long de la colonne extérieure du Talon.

AVIS : Selon le câblage, il peut avoir plus ou moins de jeu dans le câble d'alimentation. L'utilisation et le placement des dispositifs de retenue des câbles varieront d'une installation à l'autre.


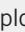

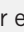
- k. Prendre les deux dispositifs de retenue des câbles (article n° 14) et pousser leur portion à rainure en T dans le chemin d'assemblage. Une fois en place, utiliser des pinces pour tourner le dispositif de retenue des câbles à 90 degrés dans le chemin d'assemblage pour le fixer en place.

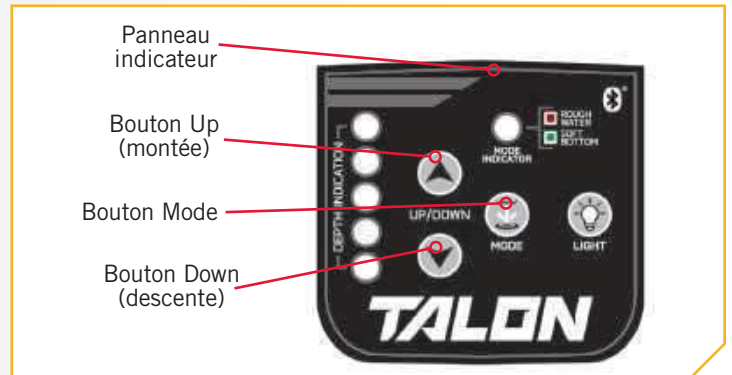


► Vérification de l'installation



Lorsque l'installation est terminée, utiliser la procédure suivante pour vérifier l'installation et confirmer que votre Talon est prêt à utiliser.

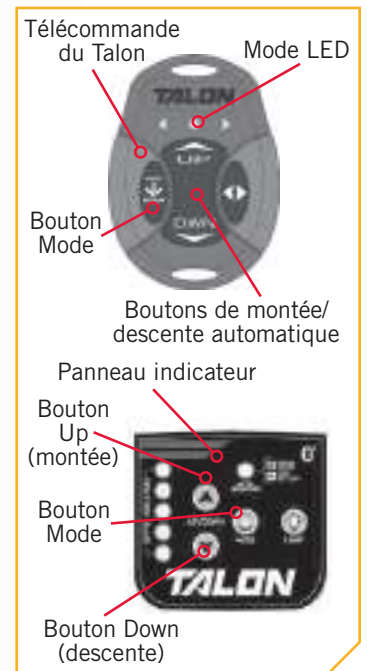
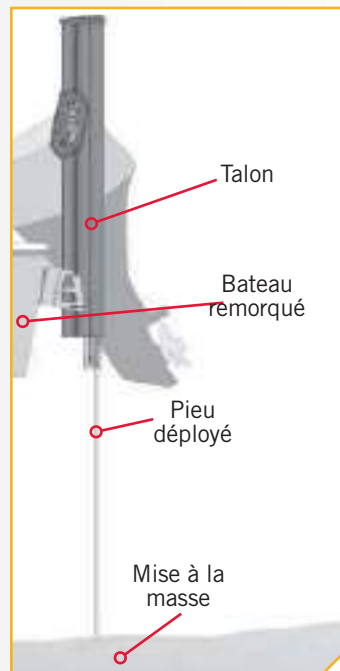
1

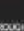



- a. Pour cet essai, le Talon doit pouvoir déployer et entrer en contact avec le sol sans frapper une obstruction. Inspecter attentivement la région autour du Talon pour toute obstruction qui pourrait nuire au déploiement.
- b. En cas d'utilisation d'un sélecteur de batterie, ou d'un commutateur de déconnexion de l'alimentation, tourner le commutateur de sélection à la position On (marche). Trois boutons sur le panneau indicateur du Talon sont nécessaires pour cette vérification : le bouton  Up (montée), le bouton  Down (descente) et le bouton  Mode. Appuyer sur le bouton  Mode jusqu'à ce que le voyant DEL du Mode soit éteint.



2

- c. Se tenir à l'écart du Talon et appuyer sur le bouton  Down (descente). Le pieu du Talon commencera à déployer. Les voyants à DEL d'indication de la profondeur sur le panneau indicateur suivront le progrès du Talon alors que le pieu se déploie.
- d. Lorsque le pieu entre en contact avec le sol, l'unité se désactivera automatiquement. Après la première désactivation, on entendra deux cycles de déploiement supplémentaires (clics), à des intervalles de trois secondes du premier contact avec le sol.
- e. Si le Talon fonctionne selon la description ci-dessus, appuyer sur le bouton  Up (montée). Le Talon se rétractera complètement. Si le Talon ne fonctionne pas selon la description, réverifier toutes les connexions de câblage et vérifier la polarité appropriée des fils d'alimentation blanc et noir, et faire un nouvel essai.



AVIS : Pour effectuer le même essai à l'aide de la télécommande plutôt que les boutons sur le panneau indicateur, utiliser les boutons Anchor  Mode (mode ancrage), Up  (montée) et le bouton  Down (descente) sur la télécommande. Pour déployer l'ancre sur la télécommande, on doit appuyer deux fois sur le bouton  Down (descente).

INSTALLATION DES BATTERIES ET DU CÂBLAGE

GRÉEMENT DE L'EMBARCATION ET INSTALLATION DU PRODUIT

Pour des raisons de sécurité et de conformité, nous vous recommandons de suivre les normes du Conseil américain sur les embarcations et les yachts (American Boat and Yacht Council, ABYC) pour le gréement de l'embarcation. Les altérations dans le câblage de l'embarcation devraient être complétées par un technicien de marine qualifié. Les spécifications suivantes sont seulement des lignes directrices générales.

ATTENTION

Veuillez lire les renseignements suivants avant de connecter votre Talon à vos batteries afin d'éviter d'endommager votre produit ou d'annuler votre garantie.

ATTENTION

Ces lignes directrices s'appliquent au gréement général pour soutenir le produit de Minn Kota. L'alimentation de multiples Talons ou d'autres appareils électriques, à partir du même circuit d'alimentation, peut influencer sur le gabarit de conducteurs et le dimensionnement des disjoncteurs recommandé. Pour un fil plus long que celui fourni avec l'appareil, suivre le tableau de dimensionnement de gabarit des conducteurs et des disjoncteurs du tableau ci-dessous. Si la longueur totale de la rallonge est de plus de 25 pi (7,60 m), nous vous recommandons de communiquer avec un technicien maritime qualifié.

ATTENTION

Un dispositif de protection contre la surintensité (disjoncteur ou fusible) doit être utilisé. Les préalables de la garde côtière exigent que chaque conducteur de courant, qui n'est pas fixé, soit protégé par un fusible ou un disjoncteur qui se réinitialise manuellement et qui ne peut se déclencher automatiquement. Le type (courant et tension de puissance nominale) de fusible ou de disjoncteur doit être de dimension appropriée. Le tableau ci-dessous donne les lignes directrices recommandées pour ce qui est du dimensionnement des disjoncteurs.

TABLEAU DES DIMENSIONS DE GABARIT DES CONDUCTEURS ET DISJONCTEURS

Le présent tableau des dimensions de gabarit des conducteurs et disjoncteurs est uniquement valable pour les hypothèses suivantes :

1. Il n'y a pas plus de deux conducteurs qui sont regroupés à l'intérieur d'une gaine ou d'un conduit à l'extérieur de l'espace moteur.
2. Chaque conducteur est muni d'un isolant d'une température nominale de 105 °C (221° F).
3. Aucune chute de tension de plus de 5 % n'est autorisée lorsque d'un plein régime, en fonction des exigences en matière d'alimentation du produit qui ont été publiées.

Courant Tiré Max	Disjoncteur	Longueur De La Rallonge				
		5 pi (1,5 m)	10 pi (3 m)	15 pi (4,8 m)	20 pi (6,1 m)	25 pi (7,6 m)
30 ampères	30 A à 12 VCC	10 AWG	10 AWG	8 AWG	6 AWG	4 AWG

AVIS : La longueur de la rallonge fait référence à la distance entre les batteries aux fils du Talon. Les valeurs d'intensité maximales ont lieu de manière intermittente durant certaines conditions et ne doivent pas être utilisées comme valeur nominale continue.

Référence

Code des règlements fédéraux des États-Unis : article 183 du titre 33 du Code des règlements fédéraux (CRF) - Embarcations et équipements associés ABYC E-11 : systèmes électriques CA et CC sur les embarcations

COMMENT SÉLECTIONNER UNE BATTERIE ADÉQUATE

COMMENT SÉLECTIONNER UNE BATTERIE ADÉQUATE

Le Talon fonctionnera avec toute batterie marine plomb/acide de 12 volts. Pour les meilleurs résultats, Minn Kota recommande la connexion à la batterie de démarrage. Maintenir la batterie complètement chargée. Un entretien adéquat fera en sorte que le courant sera disponible le moment venu et améliorera considérablement la durée de vie de la batterie. Le fait de ne pas recharger les batteries au plomb (dans les 12 à 24 heures) est la principale cause de défaillance prématurée de celles-ci. Utiliser un chargeur multiphase pour éviter une surcharge. Nous offrons une vaste sélection de chargeurs en fonction de vos besoins. Pour de plus amples informations sur la sélection et le grément de batterie, veuillez visiter minnkotamotors.com.

Le Talon puise une petite quantité du courant résiduel de la batterie même s'il n'est pas utilisé. Si le Talon n'est pas utilisé pendant plus de 5 jours, les fils d'alimentation du Talon doivent être déconnectés de la batterie. Éviter de connecter le Talon sur les mêmes batteries où est connecté un moteur de pêche à la traîne ou un autre accessoire. On recommande de connecter le Talon à la batterie de démarrage par le biais d'un sélecteur de batterie ou un commutateur de déconnexion de l'alimentation. Cela déconnectera l'alimentation du Talon lorsque le commutateur d'allumage est en position Off (arrêt). Si un commutateur de sélection/déconnexion d'alimentation de la batterie n'est pas utilisé, le Talon peut être connecté directement à la batterie de démarrage.



AVERTISSEMENT

Ne jamais brancher les bornes (+) et (-) de la batterie ensemble. Assurez-vous qu'aucun objet métallique ne puisse tomber sur la batterie et provoquer un court-circuit entre les bornes. Cela provoquerait immédiatement un court-circuit et un risque extrême d'incendie.

Pour une conformité appropriée au ABYC, lorsque le fusible du fabricant a été retiré, l'utilisateur doit installer un fusible de 30 ampères à moins de 7 po (17,8 cm) de la borne positive (+) de la batterie.

AVIS : Le fusible réarmable en ligne de 30 ampères est conçu pour protéger le système. Si ce fusible déclenche de façon répétitive, un câblage défectueux en est peut-être la cause et doit être corrigé. Si on soupçonne le fusible réarmable lui-même, Minn Kota recommande de communiquer avec le service à la clientèle pour un remplacement approprié.

CONNEXION DES BATTERIES

› Systèmes de 12 volts

1. En cas d'une connexion à un commutateur de sélection/déconnexion d'alimentation de la batterie en option, le tourner en position Off (arrêt) avant de connecter le câble d'alimentation.
2. Connecter le fil blanc positif (+) à la borne positive (+) de la batterie, ou au commutateur positif.
3. Connecter le fil noir négatif (-) à la borne négative (-) de la batterie, ou au commutateur négative.



AVERTISSEMENT

Respecter la polarité appropriée et suivre les instructions du manuel du propriétaire du bateau en matière de polarité.

CONNEXION DES BATTERIES



AVERTISSEMENT

- Le Talon puise une petite quantité du courant résiduel de la batterie même s'il n'est pas utilisé. Si le Talon n'est pas utilisé pendant plus de cinq jours, ou lorsque les batteries sont en voie de charge, les fils d'alimentation du Talon doivent être déconnectés de la batterie. On recommande de connecter le Talon à la batterie de démarrage par le biais d'un sélecteur de batterie ou un commutateur de déconnexion de l'alimentation. Cela déconnectera l'alimentation du Talon lorsque le commutateur d'allumage est en position Off (arrêt). Si un commutateur de sélection/commutateur de la batterie n'est pas utilisé, le Talon peut être connecté directement à la batterie de démarrage.
- Garder des connexions solides des fils autour de la batterie ou des bornes du commutateur.
- La batterie de démarrage devrait être située dans un compartiment ventilé pour éviter des étincelles provenant de matières combustibles.

L'INSTALLATION DE VOTRE TALON EST TERMINÉE. UN MANUEL COMPLET DU PROPRIÉTAIRE PEUT ÊTRE TÉLÉCHARGÉ À MINNKOTAMOTORS.COM.

ACCESSOIRES RECOMMANDÉS

› CHARGEURS DE BATTERIE EMBARQUÉS ET PORTATIFS

Ne plus acheter de nouvelles batteries et commencer à prendre soin de celles déjà en votre possession. Plusieurs chargeurs peuvent en fait endommager les batteries à la longue, pouvant entraîner une autonomie réduite et une durée de vie plus courte. Les chargeurs Minn Kota à commande numérique assurent une charge rapide pour une protection et une durée de vie prolongée.



MK212PC



MK210D



MK110PD

› ACCESSOIRES DE TALON

SUPPORTS ADAPTATEURS MODULAIRES UNIVERSELS ›

Il est facile de choisir votre support et de l'installer. Et il est presque impossible de l'arrêter. Les supports adaptateurs modulaires universels de Talon sont plus robustes que la normale, et leur design modulaire innovant vous permet de mettre Talon dans la position parfaite sur votre bateau.

Une force sans égal

Nous fabriquons Talon avec une puissance intransigeante. Et nous fabriquons les supports de la même manière. Fabriqués avec de l'aluminium extrudé et renforcés par un assemblage robuste, nos supports permettent de stabiliser Talon pour un remorquage ou pour traverser des eaux agitées.

Jack Plate
Adapter Bracket



1810340

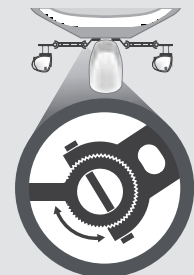
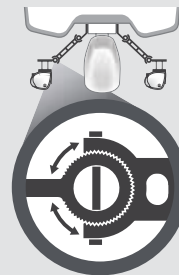
Support adaptateur
en sandwich



1810244
1810303

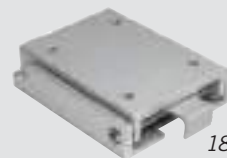
Design modulaire universel

Deux supports. N'importe quel tableau arrière. Le design universel s'adapte à toutes les situations, et les supports peuvent être réglés et ajustés pour atteindre la position idéale. Deux points de pivot vous permettent de mettre Talon dans la position idéale (en fonction du style de votre tableau arrière, de l'emplacement du hors-bord et d'autres facteurs). Une fois en position, enclencher les dents de la pince vers le bas pour verrouiller la position.



SUPPORT INCLINABLE TALON ›

Ce support inclinable en aluminium anodisé de qualité marine convient aux zones à hauteur limitée et aux entrepôts de bateaux. Doté d'un support de pont réglable pour une stabilité supplémentaire lors de l'inclinaison.



1810222

