

Delta T Systems STANDARD MARINE AXIAL FANS



DELTA "T" SYSTEMS

NEMA
Premium[®]



Delta T Systems

STANDARD MARINE AXIAL FANS



Available in eight standard sizes from 12 to 48 inches (304.8 to 1219.2 mm)

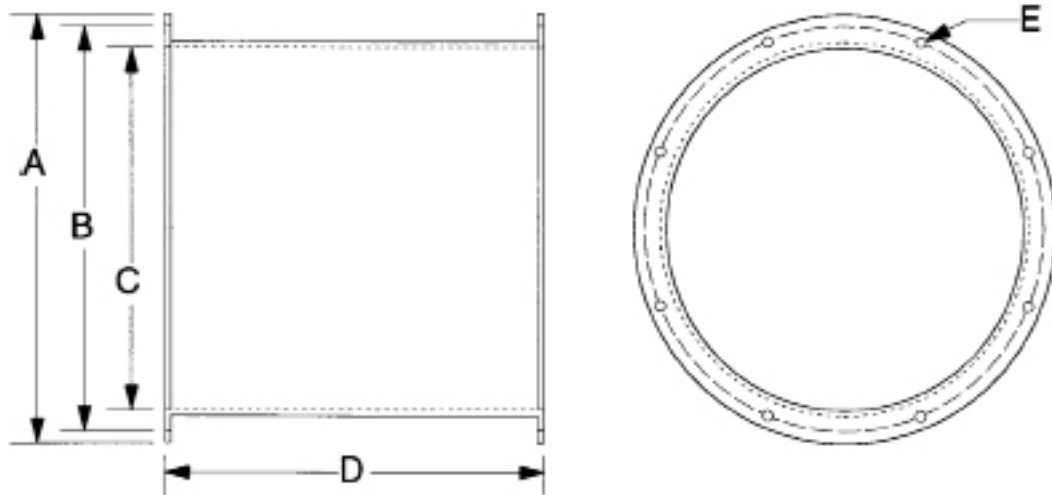
Design & Construction — Axial Ventilation Fans produced by Delta “T” Systems are specifically designed and built for the rigors of the marine environment — not adapted from other industries. The Standard Line is built from rolled steel housings and powder coated for protection against the elements. Major assembly hardware is corrosion resistant stainless steel for long life.

Motors — Premium efficiency three phase and single phase direct drive motors are utilized to provide quiet continuous duty service. Available with “CE” Classification, 50 or 60 HZ, and optional I-EEE-45 Certification, these motors are designed for worldwide applications and can be provided in nearly any voltage configuration.

Fan Hubs & Blades — Corrosion resistant aluminum hubs are secured directly to the motor shaft using multiple locking methods for enhanced safety and reliability. Fan blades are non-corrosive polypropylene composite and are factory balanced for smooth operation and long life cycles. The high performance airfoil blade shape provides for exceptional flow characteristics and low sound levels. All fans are tested in accordance with AMCA Standard 210. Redneck Fans have a non-overloading characteristic; the peak power input occurs within the range of normal operating pressures and is always exceeded by the motor rating.



Delta T Systems STANDARD MARINE AXIAL FANS



Fan Size	A OD	B Bolt Circle	C ID	D Length	E Bolt Holes
12 in. 304.8 mm	14 1/16 in. 357.2 mm	13 1/8 in. 333.4 mm	12 in. 304.8 mm	20 in. 508.0 mm	8 x 7/16 in. 8 x 11.1 mm
15 in. 381.0 mm	17 1/16 in. 433.4 mm	16 1/8 in. 409.6 mm	15 in. 381.0 mm	20 in. 508.0 mm	8 x 7/16 in. 8 x 11.1 mm
18 in. 457.2 mm	20 1/16 in. 509.6 mm	19 1/8 in. 485.8 mm	18 in. 457.2 mm	20 in. 508.0 mm	8 x 7/16 in. 8 x 11.1 mm
24 in. 609.6 mm	26 11/16 in. 677.9 mm	25 13/16 in. 655.6 mm	24 in. 609.6 mm	21 in. 533.4 mm	8 x 7/16 in. 8 x 11.1 mm
30 in. 762 mm	32 11/16 in. 830.3 mm	31 3/4 in. 806.5 mm	30 in. 762.0 mm	22 in. 558.8 mm	8 x 7/16 in. 8 x 11.1 mm
36 in. 914.4 mm	39 1/4 in. 997.0 mm	37 7/8 in. 962.0 mm	36 in. 914.4 mm	28 in. 711.2 mm	8 x 7/16 in. 8 x 11.1 mm
42 in. 1066.8 mm	45 1/4 in. 1149.4 mm	43 9/16 in. 1106.5 mm	42 in. 1066.8 mm	29 in. 736.6 mm	8 x 7/16 in. 8 x 11.1 mm
48 in. * 1219.2 mm	51 in. 1295.4 mm	49 5/8 in. 1260.5 mm	48 in. 1219.2 mm	31 in. 787.4 mm	8 x 7/16 in. 8 x 11.1 mm

* Special Order Only

SPECIFICATIONS SUBJECT TO CHANGE WITHOUT NOTICE.