

COI

Combination Output Interface



The complete CZone system in a box

Digital switching systems just became more cost effective and easier to install, with the new CZone Combination Output Interface (COI). This one box replaces up to five separate units, with convenient Deutsch connectors and IPx5 water resistance, providing a complete CZone system for smaller vessels or RV's. The COI's high continuous power output (150 Amps), plus space, installation time and cost savings also make it the perfect building block for larger systems.

BEP has pioneered safe, reliable digital switching products for the harsh marine environment. Since its release in 2008, CZone has powered thousands of vessels around the globe including yachts in the last two Volvo Ocean Races.

The new COI module builds on that reputation for ultimate reliability and ease of use with a host of new improvements that benefit both the installer and end-user.

Partnered with either a dedicated CZone display, or with a Multi Function Display from one of our industry leading integration partners (B&G, Furuno, Garmin, Lowrance, Simrad), the Combination Output Interface heralds a new era in providing simple, intuitive control over the increasingly complex systems found on today's vehicles and vessels.



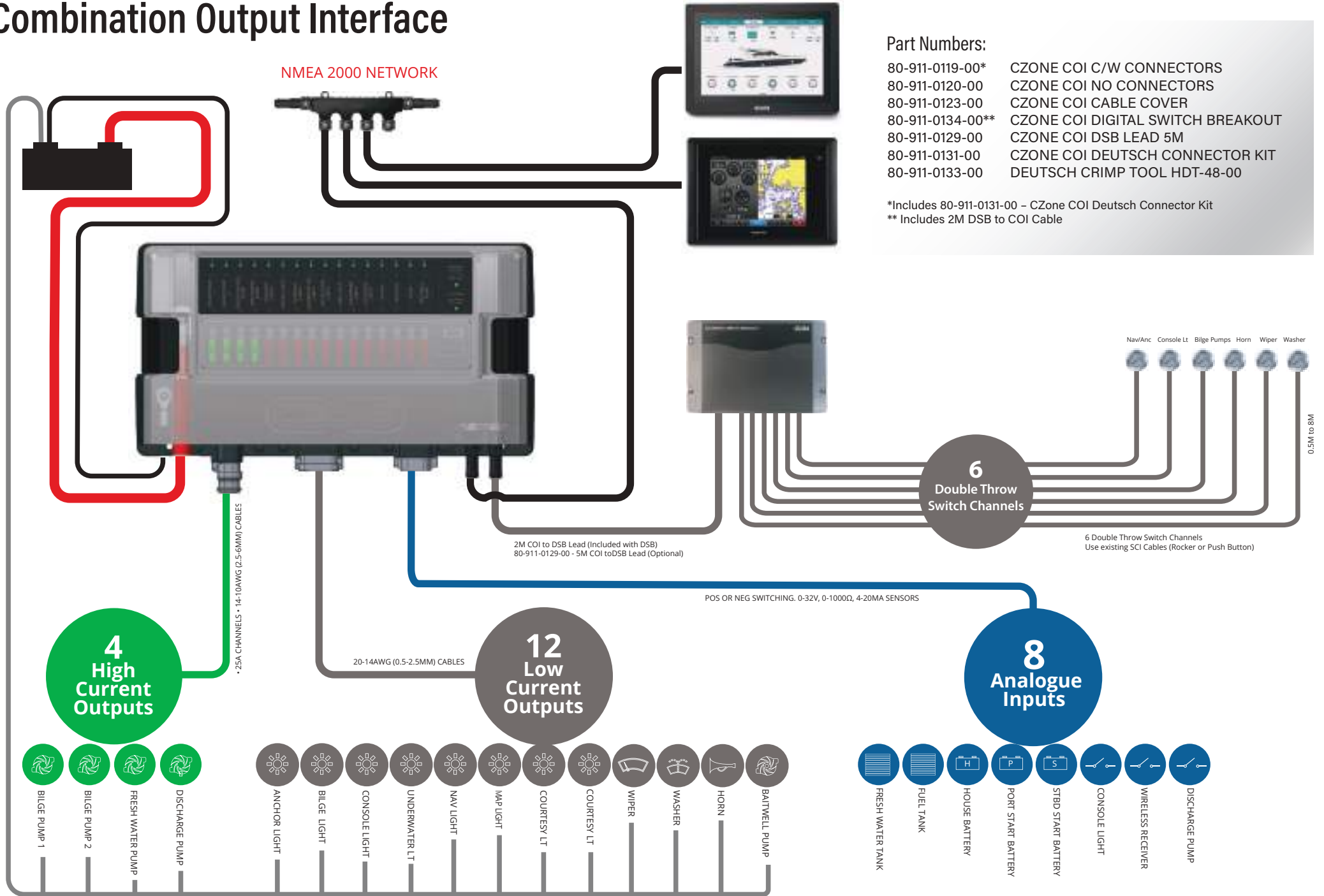
Features and Benefits

- High density 30 channel module minimises installation, interconnections and footprint, while delivering best value per circuit
- Complete mechanical fuse plus bypass on all circuits as required by ABYC/CE
- Industry standard Deutsch connectors provide "plug and play" installation
- Optional cable cover offers improved aesthetics and greater mounting flexibility
- Proven, rugged CZone design includes IPX5 Water Ingress Protection and NMEA 2000 certification
- High power Bilge Pump channels allow manual control plus "pump running" feedback from a single channel - without additional wiring
- USB port provides easy system update from USB flash drive

SPECIFICATIONS

Total Channels	30 Channels
Output Channels High	4 x 25A
Output Channels Low	12 x 10A Dimmable
Analogue Inputs	8 x Analogue Inputs: Positive or Negative Switching, 0-32 Volt, 0-1000 Ohm Resistance & 4-20mA Current
Additional Monitoring	2 x Voltage Sensors (Main Positive Stud & NMEA2000 Power)
Digital Switch Inputs	6 x Digital Inputs w Systems On/Backlighting via Digital Breakout
Circuit Current Monitoring	All 16 Output Channels
Circuit Protection	Configurable Electronic Fuse + Mechanical Fuse & Bypass
Maximum Continuous Current	150 @ 40°C (derated above 40°C)
NMEA2000 Power Consumption	250mA @ 12V, 180mA @ 12V standby
Connectors	Deutsch
Power Supply	M8 (5/16") Stud Positive, M6 (1/4") Negative
Voltage	9-32V (with Power Available LED and Voltage Monitoring)
Bilge Pump Circuits	4 x High Current Channels: Integrated manual control & pump running detection
Ingress Protection	IPx5 (mounted at 0°, +/-90°)
Communication	NMEA 2000
Certification	CE, ABYC, NMEA

COI Combination Output Interface



Part Numbers:

- 80-911-0119-00* CZONE COI C/W CONNECTORS
- 80-911-0120-00 CZONE COI NO CONNECTORS
- 80-911-0123-00 CZONE COI CABLE COVER
- 80-911-0134-00** CZONE COI DIGITAL SWITCH BREAKOUT
- 80-911-0129-00 CZONE COI DSB LEAD 5M
- 80-911-0131-00 CZONE COI DEUTSCH CONNECTOR KIT
- 80-911-0133-00 DEUTSCH CRIMP TOOL HDT-48-00

*Includes 80-911-0131-00 - CZone COI Deutsch Connector Kit

** Includes 2M DSB to COI Cable