

# Contact 6 PLUS Module

NMEA2000  
IPX5

Utilising proven CZone digital switching technology the Contact 6 PLUS is a robust and affordable digital switching solution. Featuring 6x 15A solid state ignition protected fused outputs with circuit bypass for system redundancy. The Contact 6 PLUS can be networked into an existing CZone system or installed stand-alone with the CZone Waterproof Keypads or compatible Multi-Function Displays.



## Features & Benefits

- » Circuit dimming & smooth start capability
- » Status LED's for all outputs
- » Ultra low current draw
- » Built-in timer functions for circuits like live bait tanks
- » Voltage monitoring on the NMEA2000 Network
- » Built-in Load Shedding allows non-essential loads to be turned off to preserve battery life
- » Built-in default configurations selectable via dip switch
- » Affordable add-on module to larger CZone systems
- » Blown fuse detection and warning

## Contact 6 PLUS System

Combine Contact 6 PLUS with the Waterproof Keypad and Smart Harness to achieve a very affordable digital switching system. Simple installation with out-of-the-box plug-and-play configurations, the Contact 6 PLUS System brings powerful and trusted CZone digital switching technology to a very attractive price point.

- » Low cost digital switching system
- » Simple installation
- » Greater reliability with fewer connections



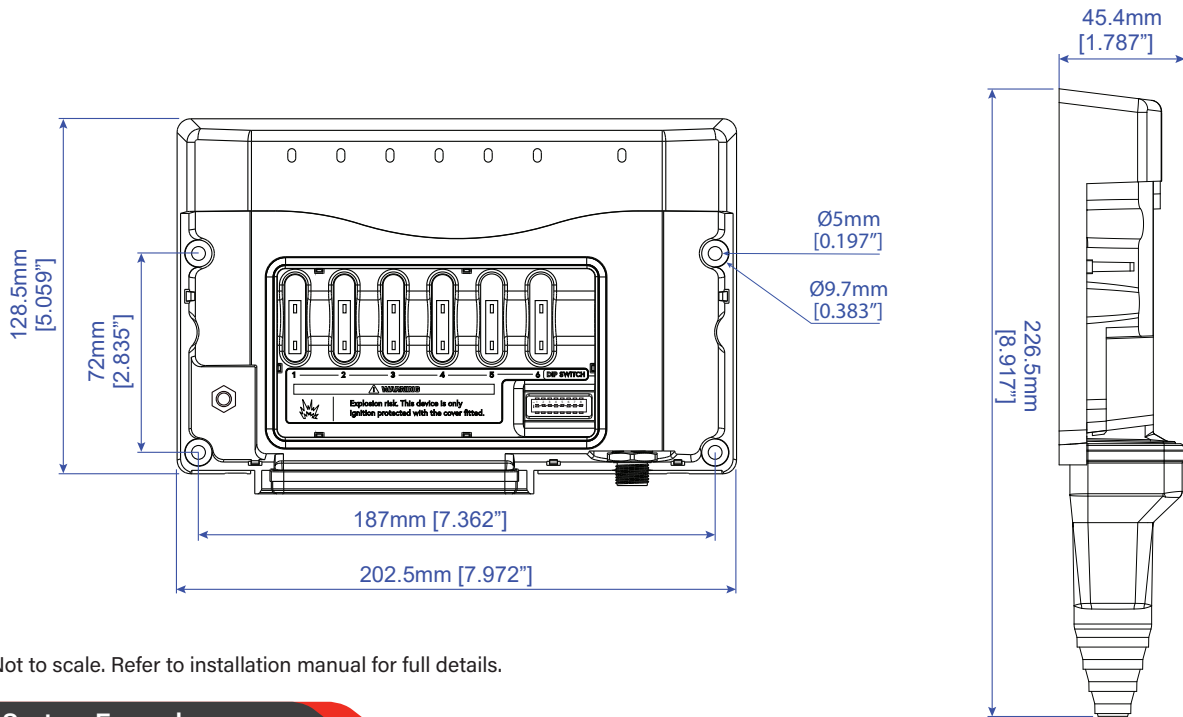
## Part Numbers

80-911-0160-00	CZONE CONTACT 6 PLUS INTERFACE
80-911-0162-00	CZONE KEYPAD 3X2 LANDSCAPE
80-911-0163-00	CZONE KEYPAD 2X3 PORTRAIT
80-911-0179-00	CONTACT 6 PLUS CONNECTOR & SEAL KIT

## Specifications

<b>Circuit protection</b>	ATC Fuse with Blown Fuse Alarms	<b>Ingress protection</b>	IPx5 (mounted vertical)
<b>NMEA2000 connectivity</b>	1 x CAN Micro-C port	<b>Compliance</b>	CE, ABYC, NMEA, ISO8846/SAEJ1171 Ignition Protected
<b>Output wire range</b>	0.5 - 6mm (24AWG - 8AWG)	<b>Power consumption max</b>	75mA
<b>Output channels</b>	6 x 15A 12/24V	<b>Power consumption standby</b>	0.3mA
<b>Maximum current</b>	60A Total Module Current	<b>Warranty period</b>	2 years
<b>Dimming</b>	All channels, PWM @100Hz	<b>Operating temperature range</b>	-15C to +55C (-5F to +131F)
<b>Power supply</b>	M6 (1/4") Positive Terminal (9-32V)	<b>Storage temperature range</b>	-40C to +85C (-40F to +185F)
<b>Network Supply voltage</b>	9-16V via NMEA2000	<b>Dimensions W x H x D</b>	202.5 x 128.5 x 45mm (7.97 x 5.06 x 1.77")
<b>Circuit bypass</b>	Mechanical Fuse Bypass on all Channels	<b>Weight</b>	600g (1.32lbs)

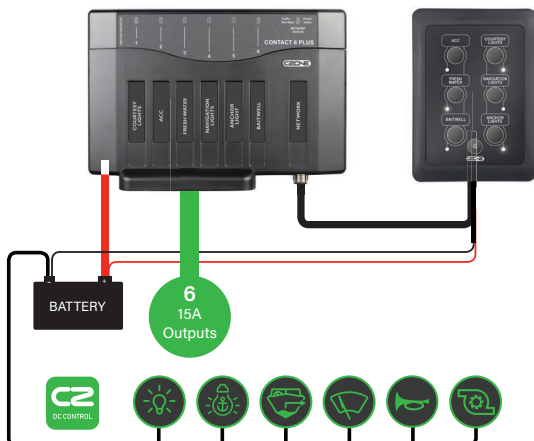
## Dimensions



Not to scale. Refer to installation manual for full details.

## System Example

### Standalone system



### Networked system

