

ASD 12**ARNESON SURFACE DRIVE****DESCRIPTION****BRONZE IN-LINE (ASD12B1LU)**

Bronze thrust assembly
 Internal lube oil reservoir
 Steering cylinder with external hoses and fittings
 Trim cylinder with external hoses and fittings
 Installation manual, owners manual and drive ball
 wrench (one per ship set)

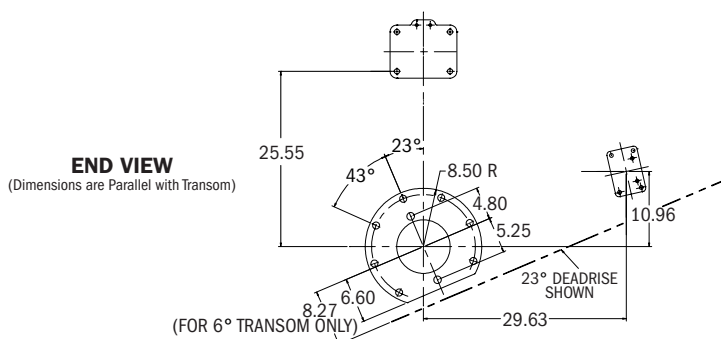
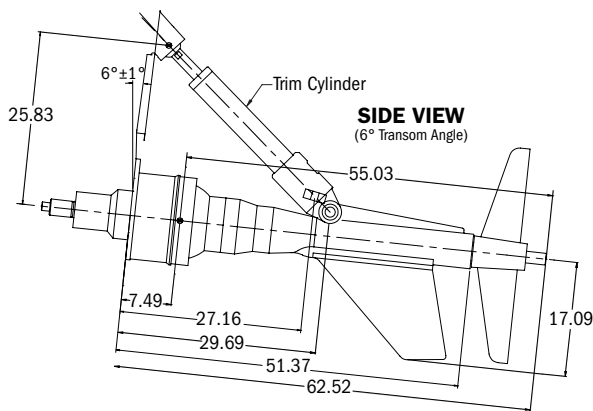
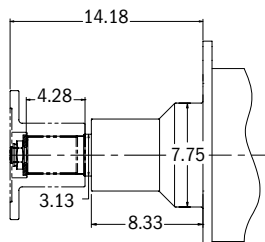
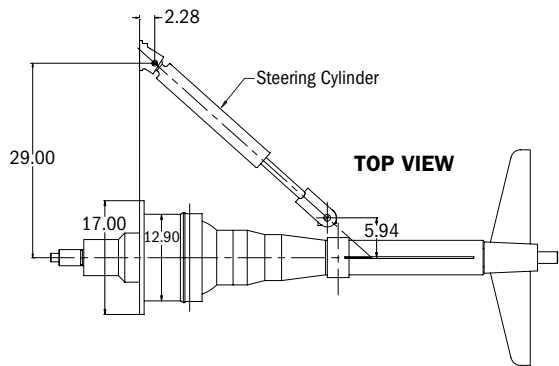
**ACCESSORIES**

Anode kit
 Cylinder position indicator kits with gauge
 Hydraulic power steering system
 Gearbox adapter
 Driveline (cardan shaft)
 Companion (input) flange
 Tie-bar (mechanical or hydraulic – for multiple
 engine vessels)
 Inboard cylinder mounting kit
 Propeller

TECHNICAL DATA – ASD12B1LU

Reduction Ratio	1.00:1
Maximum Input Torque	4800 ft-lbs
Unit Weight	785 lbs
Overall Length from Transom	63 in
Nominal Shaft Diameter	3.3 in
Steering Angle Degree	40 degrees
Trim Angle Degree	15 degrees

ASD 12 IN-LINE SURFACE DRIVE SCHEMATICS



Twin Disc, Incorporated reminds users of these products that their safe operation depends on use in compliance with engineering information provided in our catalog. Users are also reminded that safe operation depends on proper installation, operation and routine maintenance and inspection under prevailing conditions. It is the responsibility of users (and not Twin Disc, Incorporated) to provide and install guards or safety devices which may be required by recognized safety standards or by the Occupational Safety and Health Act of 1970 and its subsequent provisions.

United States of America • Australia • Belgium • France • Italy • Singapore • Switzerland



Twin Disc, Incorporated
Racine, Wisconsin 53403 USA
Phone +1-262-638-4000
Fax +1-262-638-4482
www.twindisc.com

TD-Bulletin-ASD12
 © 2009, Twin Disc, Incorporated
 Printed in the USA - 04/2009