

### 301-102 3nm port sidelight, Vertical Mount

DRAWING NO.:	REV. NO.:	SIZE:	DRAWN BY:
301-102AA	0	A3	Sergio
SCALE:	TOLERANCES:	REVIEWED BY:	CREATION DATE:
1:1	DS/ISO 2768-f	PHC	30-04-2018

MATERIAL DESCRIPTION:  
 Aluminium, Acrylic  
 (20µ) Silver anodized according to EN ISO 7599  
 (50µ) Black anodized according to MIL-A 8625F

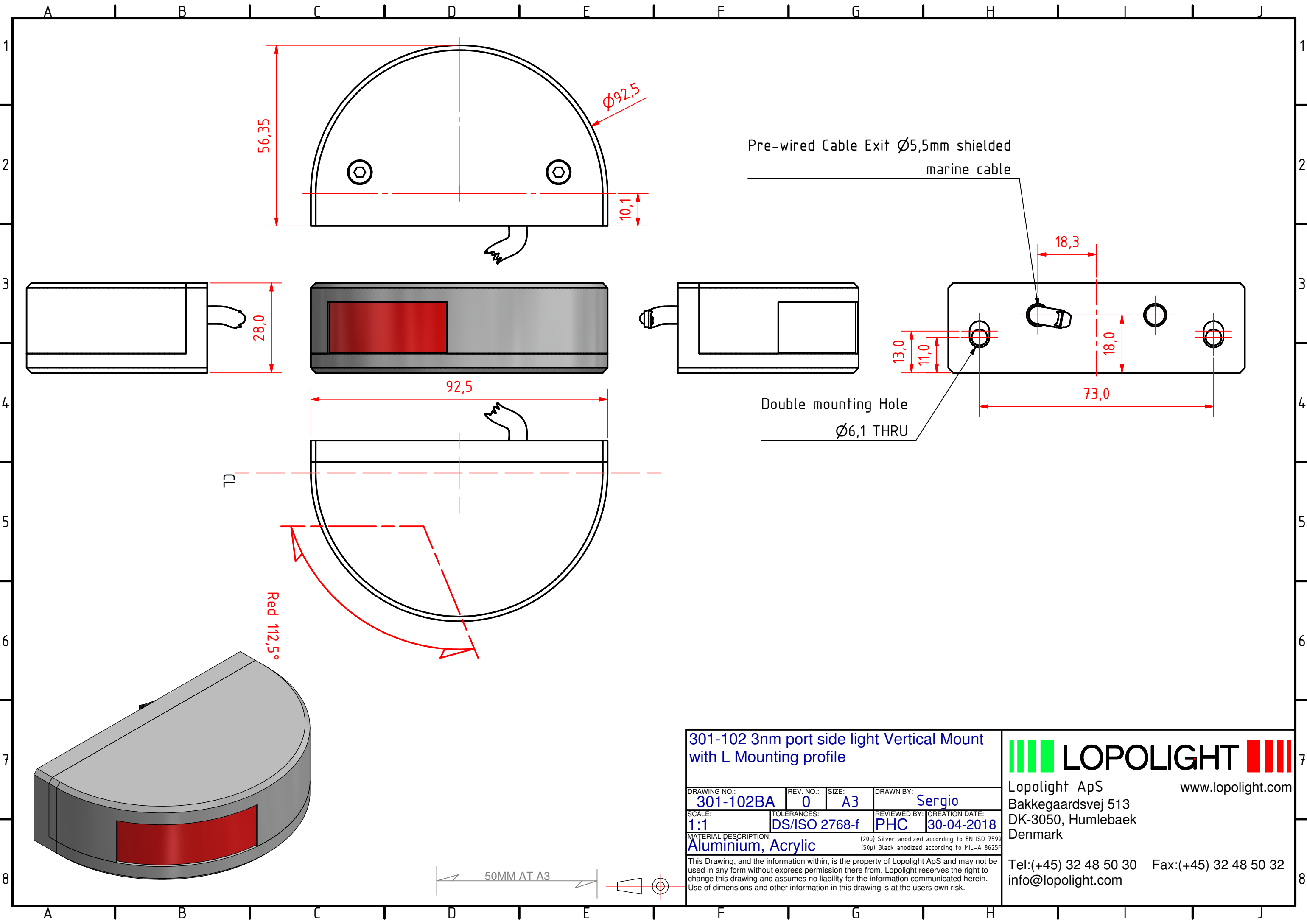
This Drawing, and the information within, is the property of Lopolight ApS and may not be used in any form without express permission there from. Lopolight reserves the right to change this drawing and assumes no liability for the information communicated herein. Use of dimensions and other information in this drawing is at the users own risk.



Lopolight ApS  
 Bakkegaardsvej 513  
 DK-3050, Humlebaek  
 Denmark  
[www.lopolight.com](http://www.lopolight.com)

Tel:(+45) 32 48 50 30 Fax:(+45) 32 48 50 32  
 info@lopolight.com





Pre-wired Cable Exit  $\varnothing$ 5,5mm shielded marine cable

Double mounting Hole  $\varnothing$ 6,1 THRU

56,35

$\varnothing$ 92,5

10,1

28,0

92,5

13,0  
11,0

18,3

18,0

73,0

Red 112,5°

CL

50MM AT A3

301-102 3nm port side light Vertical Mount with L Mounting profile

DRAWING NO.: 301-102BA	REV. NO.: 0	SIZE: A3	DRAWN BY: Sergio
SCALE: 1:1	TOLERANCES: DS/ISO 2768-f	REVIEWED BY: PHC	CREATION DATE: 30-04-2018

MATERIAL DESCRIPTION:  
Aluminium, Acrylic

(20 $\mu$ ) Silver anodized according to EN ISO 7599  
(50 $\mu$ ) Black anodized according to MIL-A 8625F  
This Drawing, and the information within, is the property of Lopolight ApS and may not be used in any form without express permission there from. Lopolight reserves the right to change this drawing and assumes no liability for the information communicated herein. Use of dimensions and other information in this drawing is at the users own risk.

**LOPOLIGHT**  
Lopolight ApS  
Bakkegaardsvej 513  
DK-3050, Humlebaek  
Denmark

www.lopolight.com  
Tel:(+45) 32 48 50 30 Fax:(+45) 32 48 50 32  
info@lopolight.com