



# ES Series 1750 Crane



Our lightweight and super efficient ES Series crane offers a low profile European design with four-function hydraulics.

<b>APPLICATION</b>	Recreational, Light Commercial	
<b>STANDARD FEATURES</b>	<ul style="list-style-type: none"> <li>• Low Profile Design</li> <li>• Smooth Quiet Operation</li> <li>• 4 Function Hydraulics (Luffing, Boom Extension, Rotation, Winch)</li> <li>• 24V DC Power Unit</li> </ul>	<ul style="list-style-type: none"> <li>• Wireless Control</li> <li>• Proof Tested to 110% Capacity</li> <li>• ALEXSEAL Yacht Coating</li> <li>• Amsteel Blue™ Synthetic Rope</li> </ul>
<b>OPTIONAL FEATURES</b>	<ul style="list-style-type: none"> <li>• Wired Control</li> <li>• Color Match Finish</li> </ul>	<ul style="list-style-type: none"> <li>• Custom Specifications Available Upon Request</li> </ul>
<b>MOUNTING OPTIONS</b>	<ul style="list-style-type: none"> <li>• Standpipe 9' Standard</li> <li>• 16" x 19" Round Base</li> </ul>	<ul style="list-style-type: none"> <li>• 24" x 24" Square Base</li> <li>• 24" x 30" Aluminum HPU Base</li> </ul>
<b>HOSES</b>	16' Standard - Available in 5', 8', 22', and Custom Length	





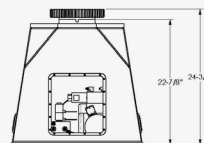
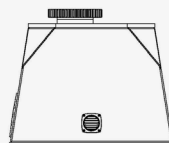
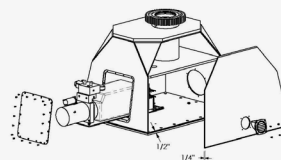
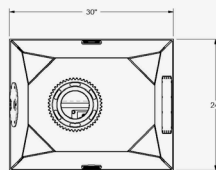
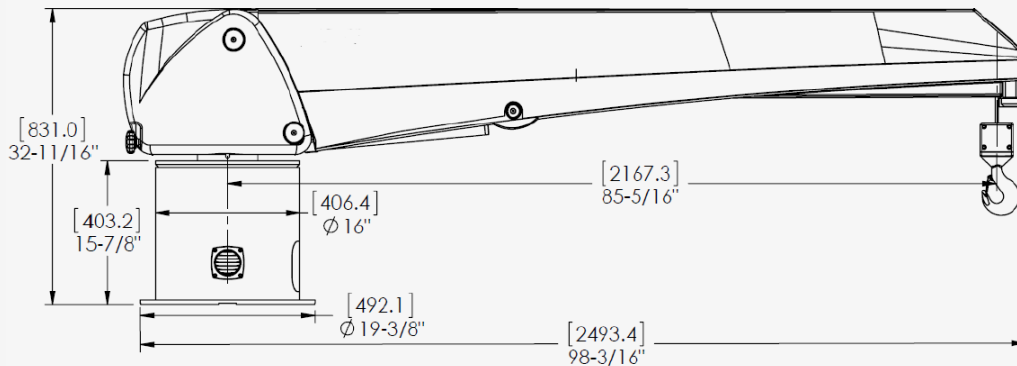
**STEELHEAD  
MARINE**

43676 Progress Way, Chilliwack, BC V2R 0C3  
604.607.0091 | **Toll Free:** 1.800.770.0455  
info@advantecglobal.com | steelheadmarine.net

# ES Series 1750 Crane

MODEL	MAXIMUM LIFT	EXTENDED REACH	HOIST HEIGHT	WEIGHT	RETRACTED LENGTH	IDEAL FOR VESSELS
ES1750	1750 lbs 794 kg	12' 3.7 m	20' 6.0 m	650 lbs 295 kg	7' 2.13 m	70' Plus 21.3 m Plus

CAPACITY	REACH	WEIGHT	HOIST CABLE	CABLE SAFETY FACTOR	HOIST TRAVEL	WINCH TYPE	OPTIONAL HYDRAULICS
1750 lbs 794 kg	12' 3.6 m	630 lbs 285 kg	5/16" Amsteel	9:1	20' 6 m	Linear	Luffing Extension Rotation Winch



ISO 9001:2008



**PROUDLY MADE IN  
NORTH AMERICA**