

# WIRELESS REMOTE AND RECEIVER INSTRUCTIONS



## SPECIFICATIONS

Receiver Supply Voltage: 12VDC

4 Momentary contacts rated at 12/24VDC 5Amps

Maximum Operating range of 80 meters

## INSTALLATION AND WIRING

The receiver should be mounted in a dry location close to the vessels/vehicles exterior.

For best results ensure the black antenna cable is fully extended and secured away from any sources of interferences.

Connect the Black power lead to negative DC

Connect the Red power lead to positive 12V DC through a 3Amp fuse

The four momentary relays each have separate in and out connections allowing a combination of both positive and negative switching.

Refer to the below diagram for colour coding.

# PROGRAMMING INSTRUCTIONS

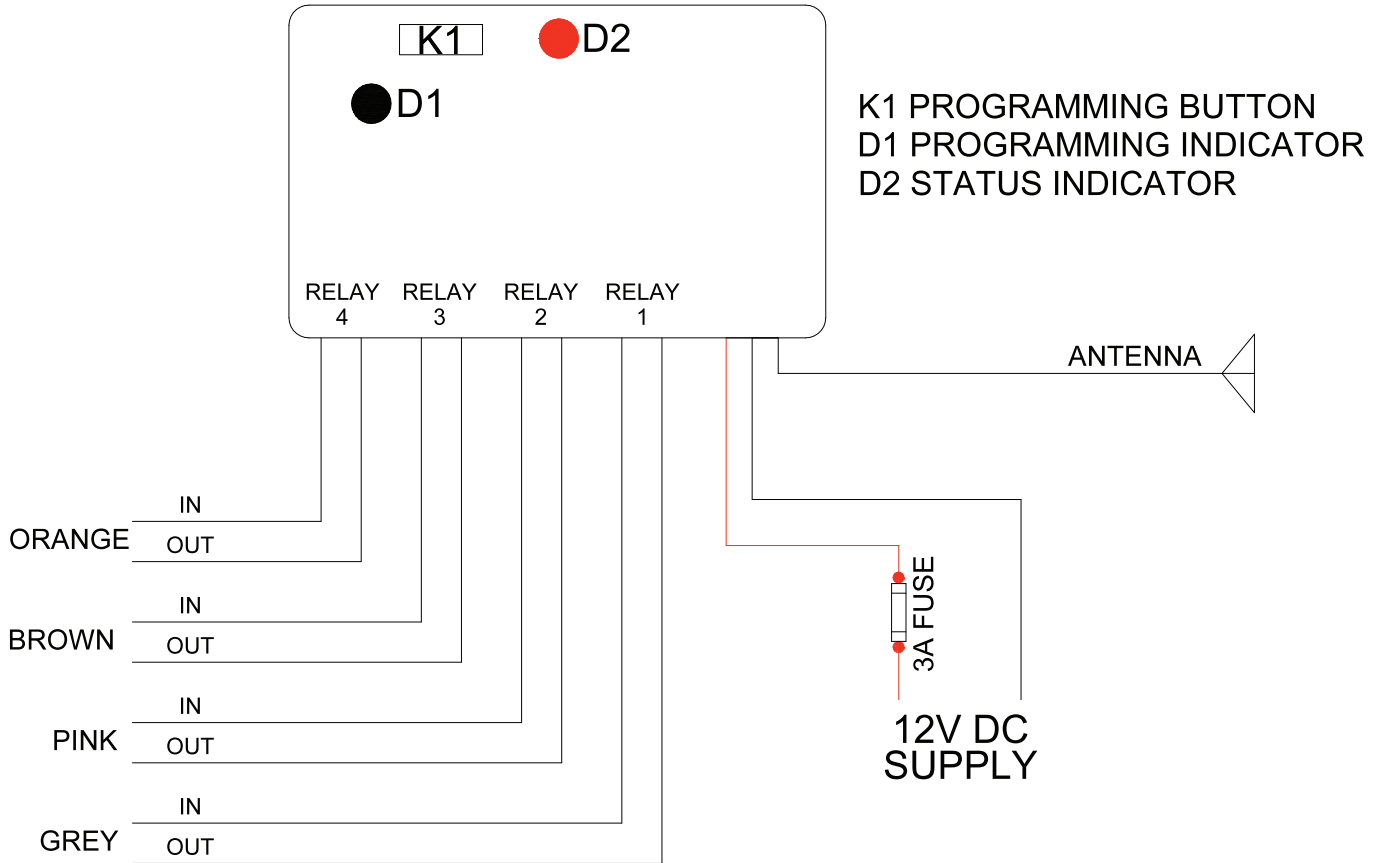
The remotes and receiver come pre-programmed however these settings can be changed if required by following the below steps.

To Remove the code press K1 and release after 10 seconds, the white LED (D1) will flash 5 times, this indicates that original codes have been successfully removed.

To program a new code press K1 for a short period, the white LED (D1) will turn on, press any button on the remote twice, if the white LED (D1) turns off, this indicates that the code has been successfully learnt (D1 will turn off in 8 seconds if there's no code input.). Repeat the above operation to learn more remote controls.

To change from momentary output contacts to constant outputs press both button 1 and 2 on the remote at the same time for 10 seconds.

To change back to momentary follow the same procedure.



# BEP

Albany, Auckland N.Z.

Ph: +64 9 415 7261

Fax: +64 9 415 9327

[www.bepmarine.com](http://www.bepmarine.com)

E-mail: [enquiries@bepmarine.com](mailto:enquiries@bepmarine.com)

**MASTERVOLT**

**MARINCO**