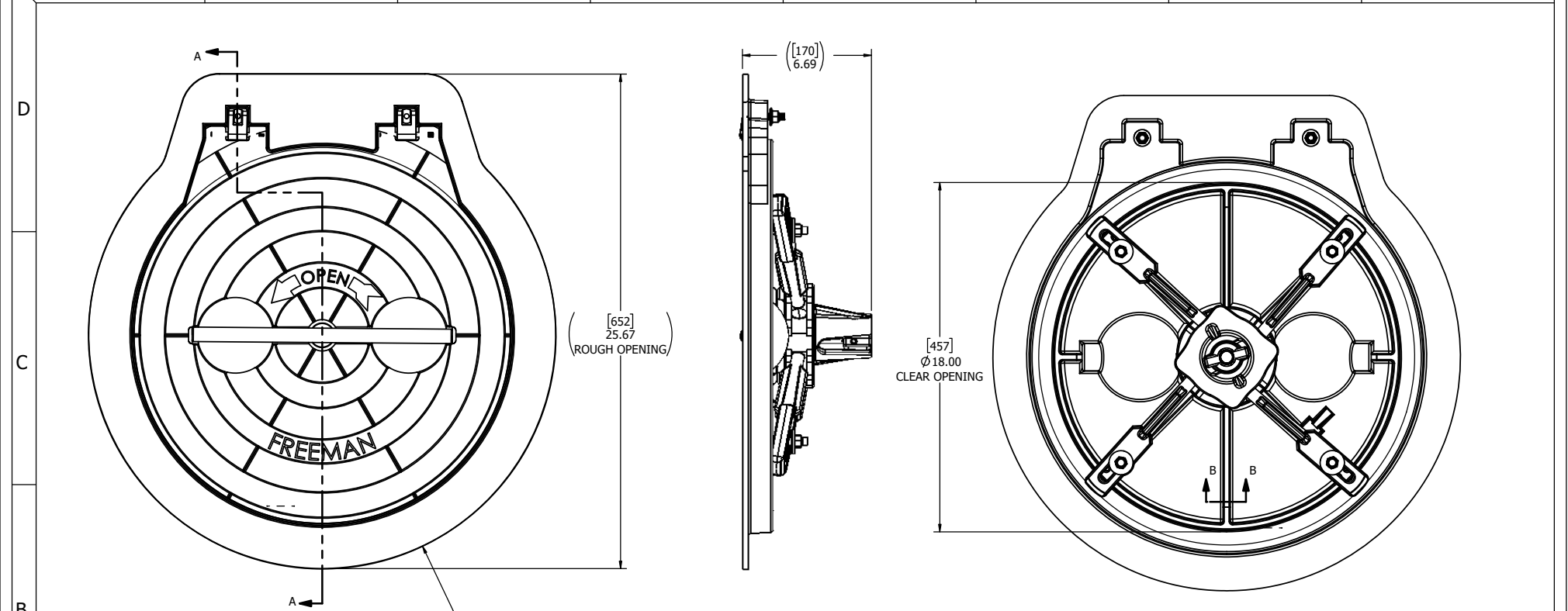


8 7 6 5 4 3 2 1



- 10. FOR SPECIFIC INFORMATION CONTACT SALES.
- 9. COMPLETE ASSEMBLY WEIGHT W/ DECK RING, 41 LBS
8. DOGGING PRESSURE FULLY ADJUSTABLE.
- 7. HANDLE POSITION TOPSIDE INDICATES WHETHER DOGGING MECHANISM IS IN OPEN OR CLOSED POSITION.
- 6. ALUMINUM ALLOY MECHANISM SHOWN.
- 5. FLUSH, WATERTIGHT CONSTRUCTION.
- 4. INTEGRAL TOPSIDE "T" HANDLE STANDARD, OTHER TOPSIDE ACTUATION AVAILABLE.
- 3. CAST ALUMINUM ALLOY FLANGE, FLANGE CAN BE DRILLED FOR BOLTED INSTALLATIONS OR WELDED TO ALUMINUM.
- 2. QUICK-ACTING, MECHANISM ENGAGES OR DISENGAGES IN QUARTER-TURN OF CENTER SPINDLE.
- 1. 18" DIAMETER CLEAR OPENING, ALL DIMENSIONS SHOWN SUBJECT TO CASTING VARIATION AND ARE REFERENCE ONLY.

NOTES: UNLESS OTHERWISE SPECIFIED.

CUSTOMER APPROVAL

Signature: _____
Date: _____

IMPORTANT! THIS DRAWING SUPERSEDES ALL OTHER DOCUMENTS. By signing the approval you accept and agree that the dimensions and details shown are correct and properly fit your application, regardless of any difference between this drawing and any contract specifications. Should you see any errors in the drawing, or have any questions, please contact your Freeman Marine sales engineer for clarification.

SPECIFICATIONS SUBJECT TO CHANGE WITHOUT NOTICE.	
PROJECTION	
UNLESS OTHERWISE SPECIFIED DIMENSIONS ARE IN INCHES. TOLERANCES FOR ROUGH AND CLEAR OPENING = .125 INCH. ALL OTHERS ARE:	
	X XX XXX ANGLES
	±.1 ±.03 ±.010 ±.2°
INITIAL RELEASE	092800 GEM
A UPDATE GEN. NOTES & B.O.M	230611 PPC
REV.	DATE: DRAWN

FREEMAN MARINE EQUIPMENT, INC.

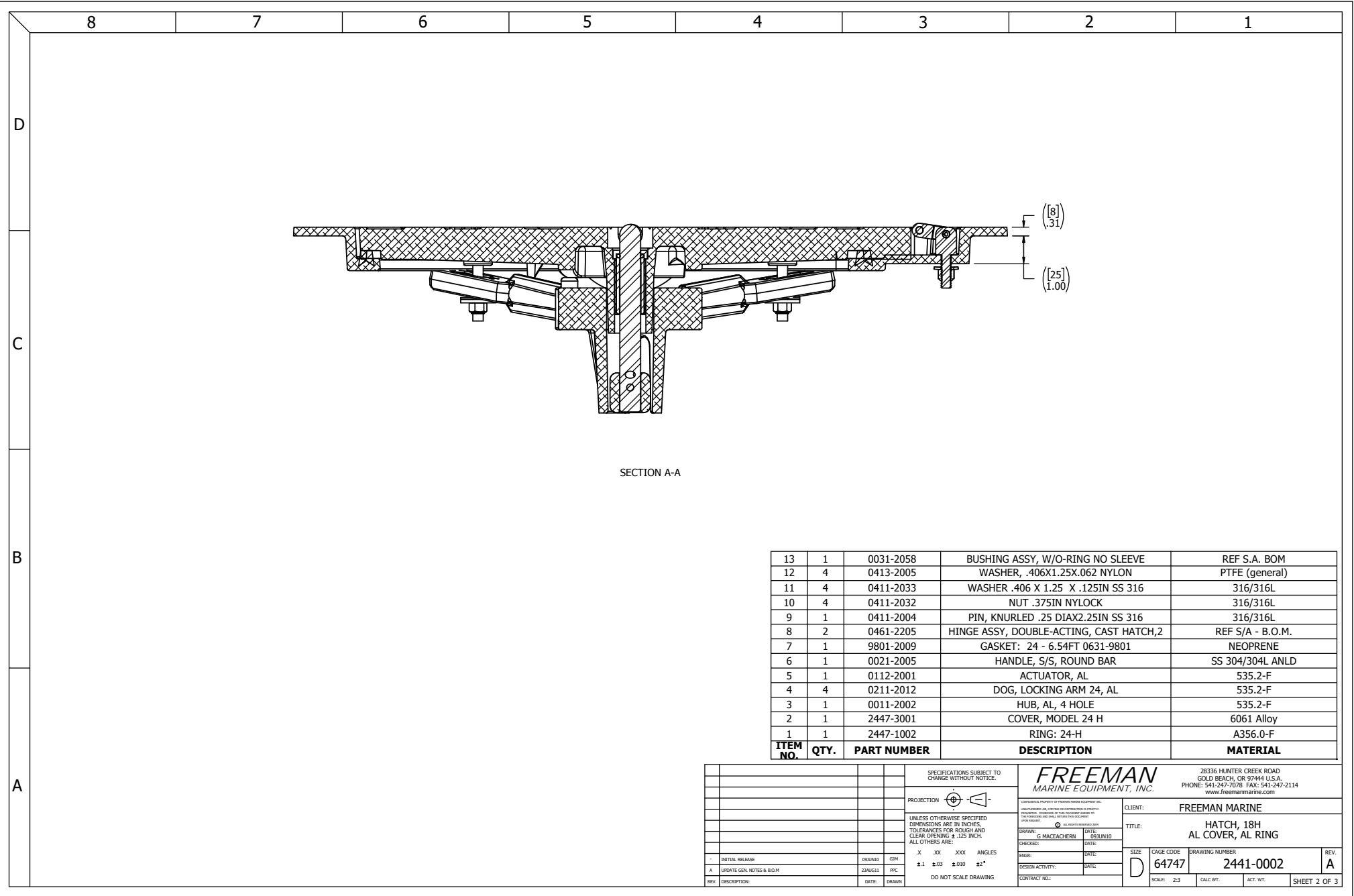
28236 HUNTER CREEK ROAD
GOLD BEACH, OR 97444 U.S.A.
PHONE: 541-247-7078 FAX: 541-247-2114
www.freemarinne.com

CLIENT: **FREEMAN MARINE**

TITLE: **HATCH, 18H
AL COVER, AL RING**

SIZE: **D** CAGE CODE: **64747** DRAWING NUMBER: **2441-0002** REV. **A**

SCALE: 1:3 CALC. WT. ACT. WT. SHEET 1 OF 3



28236 HUNTER CREEK ROAD
GOLD BEACH, OR 97444 U.S.A.
PHONE: 541-247-7078 FAX: 541-247-2114
www.freemanmarine.com

FREEMAN MARINE EQUIPMENT, INC.

CLIENT: FREEMAN MARINE
TITLE: HATCH, 18H AL COVER, AL RING

SIZE: D CAGE CODE: 64747 DRAWING NUMBER: 2441-0002 REV. A

SCALE: 2:3 CALC. WT. ACT. WT. SHEET 2 OF 3

PROJECTION:

UNLESS OTHERWISE SPECIFIED DIMENSIONS ARE IN INCHES. TOLERANCES FOR ROUGH AND CLEAR OPENING: ±.125 INCH. ALL OTHERS ARE:
X .XX .XXX ANGLES
±.1 ±.03 ±.010 ±.2"

DO NOT SCALE DRAWING

INITIALS: INITIAL RELEASE: 09/20/03 GJM
A: UPDATE GEN. NOTES & B.O.M. 23/06/11 PPC

REV. DESCRIPTION: DATE: DRAWN

DRAWN: G. MACEACHERN DATE: GROUND
CHECKED: DATE:
ENGR: DATE:
DESIGN ACTIVITY: DATE:
CONTRACT NO.:

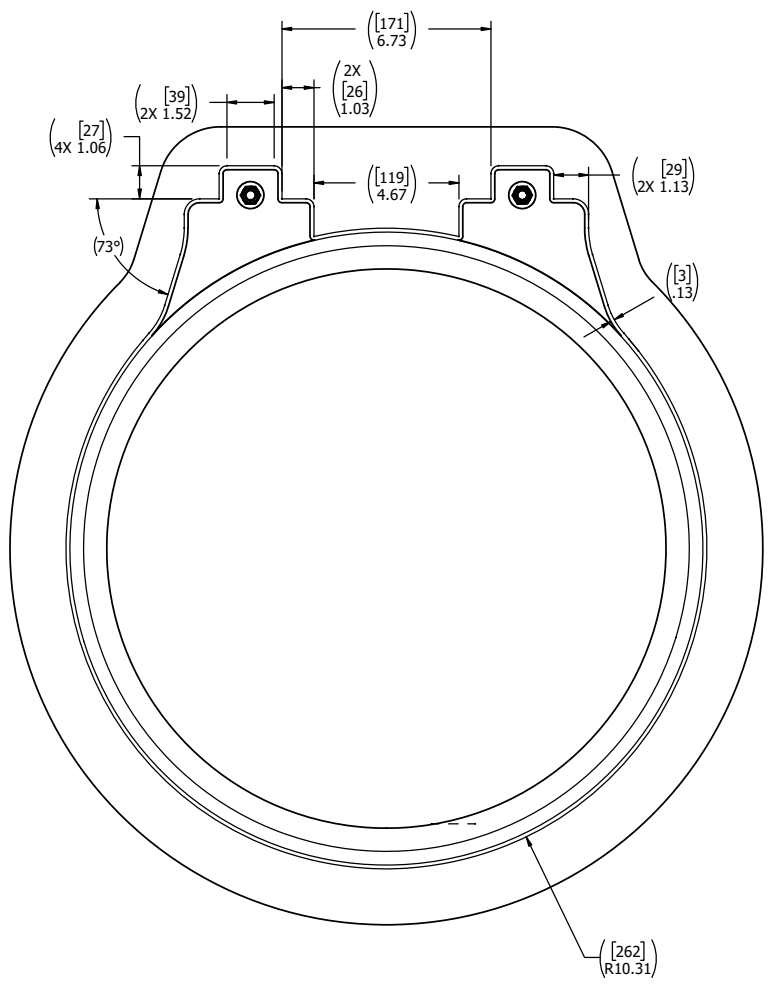
8	7	6	5	4	3	2	1
---	---	---	---	---	---	---	---

D

C

B

A



- 3. FINISH: 125 RMS MAX.
- 2. BREAK SHARP EDGES AND DEBURR.
- 1. MATERIAL: Material <not specified>

NOTES: UNLESS OTHERWISE SPECIFIED.

CUSTOMER APPROVAL

Signature: _____

Date: _____

IMPORTANT! THIS DRAWING SUPERSEDES ALL OTHER DOCUMENTS.
By signing this approval you accept and agree that the dimensions and details shown are correct and properly fit your application, regardless of any differences between this drawing and any contract specifications.
Should you see any errors in the drawing, or have any questions, please contact your Freeman Marine sales engineer for clarification.

INITIAL RELEASE	09/30/20	GIN	
A UPDATE GEN NOTES & B.O.M	23/06/21	PPC	
REV.	DESCRIPTION:	DATE:	DRAWN

SPECIFICATIONS SUBJECT TO CHANGE WITHOUT NOTICE.

PROJECTION

UNLESS OTHERWISE SPECIFIED DIMENSIONS ARE IN INCHES. TOLERANCES FOR ROUGH AND CLEAR OPENING = .125 INCH. ALL OTHERS ARE:

X .XX XXX ANGLES
±.1 ±.03 ±.010 ±2°

DO NOT SCALE DRAWING

FREEMAN
MARINE EQUIPMENT, INC.

UNIVERSITY MICROFILMS INTERNATIONAL, INC.
SERIALS ACQUISITION DEPARTMENT
300 N ZEEB RD
ANN ARBOR MI 48106-1500
© ALL RIGHTS RESERVED. SEE FREEMAN MARINE EQUIPMENT, INC.

28336 HUNTER CREEK ROAD
GOLD BEACH, OR 97444 U.S.A.
PHONE: 541-247-7078 FAX: 541-247-2114
www.freemanmarine.com

CLIENT: FREEMAN MARINE

TITLE: HATCH, 18H
AL COVER, AL RING

SIZE	CAGE CODE	DRAWING NUMBER	REV.
D	64747	2441-0002	A

SCALE: 1:2 CALC. WT. ACT. WT. SHEET 3 OF 3