



MULTIPURPOSE CONTACT OUTPUT

DC RELAY FOR MASTERBUS



USER AND INSTALLATION MANUAL
10000017906/01

1. GENERAL INFORMATION

1.1 Use of this manual

This manual serves as a guideline for the safe and effective operation of the Multipurpose Contact Output. Read the entire manual before using the Multipurpose Contact Output. Keep this manual in a secure place!

1.2 Liability

Mastervolt can accept no liability for:

- Consequential damage resulting from the use of the Multipurpose Contact Output.
- Possible errors in the included manual and the consequences of these.
- Use that is inconsistent with the purpose of the product.

1.3 Warranty

The Mastervolt product warranty covers the Multipurpose Contact Output for the first two years after the purchase date, on the condition that the product is installed and used according to the instructions in this manual.

Installation or use that do not comply with these instructions may result in under performance, damage or failure of the product and may void this warranty. The warranty is limited to the cost of repair

and/or replacement of the product. Costs of labor or shipping are not covered by this warranty.



CAUTION!

Never remove the identification label. This will void the warranty.

1.4 Disclaimer

Our products are subject to continual development and improvement. Therefore, additions or modifications to the products may cause changes to the technical data and functional specifications. No rights can be derived from this document. Please consult our most current Terms & Conditions of Sale.

1.5 Correct disposal of this product



This product is designed and manufactured with high quality materials and components, which can be recycled and reused. Please be informed about the local separate collection system for electrical and electronic products. Please act according to your local rules and do not dispose of your old products with your normal household waste. The correct disposal of your old product will help prevent potential negative consequences to the environment and human health.

2. OPERATION

The Multipurpose Contact Output operation is entirely MasterBus based. For information about MasterBus and the MasterBus event structure, see www.mastervolt.com. The following table shows the relay functions.

Monitoring	Description	Factory settings	Range
State	Relay can be switched On (activate) or Stand by	Stand by	Stand by/ Activate
Override	Change the state of the relay	Stand by	Activate/ Stand by
Configuration	Description	Factory settings	Range
Language	Set the Multipurpose Contact Output menu language	English	See specifications
Device name	Any name you wish, with 12 characters max	DC Relay	0-12 characters
1 sec pulse	Option to create a 1 second starting pulse, needed for some generators	Off	Off, On
Min. runtime	Option to use a minimum run time	Off	Off, On
Min. runtime	Set the minimum run time if selected	15 minutes	15 min-45 days
Max. runtime	Option to use a maximum run time	Off	Off, On
Max. runtime	Set the maximum run time if selected	8 hrs	15 min-45 days

Events

A MasterBus based device can initiate an action at another connected device. This is done by configuring Events. A device can act as *event source* and as *event target*.

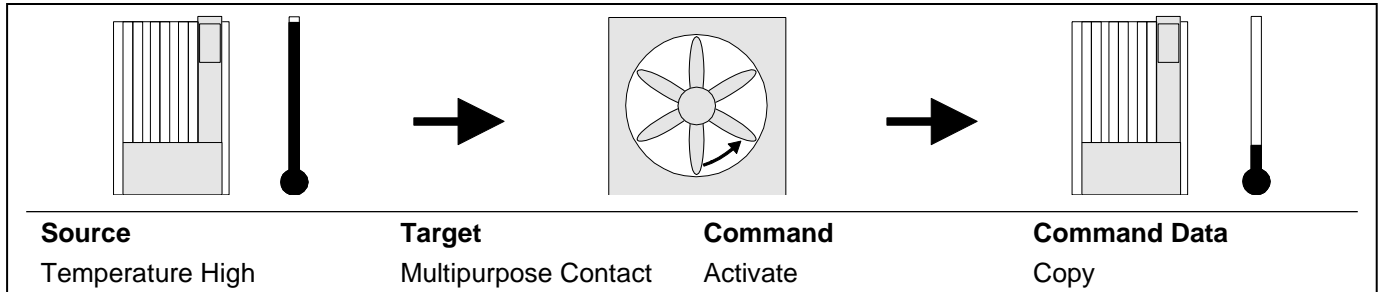
Other devices can control the relay of the Multipurpose Contact Output by setting up an event at the source device with the Multipurpose Contact Output as target. The following example shows how a ChargeMaster uses the Multipurpose Contact Output as a CSI (Charger Status Interface), switching at charger failure.

Event source	Event target	Event command	Event action
Failure	DC Relay	Activate	Copy
On	DC Relay	Activate	Inverted copy

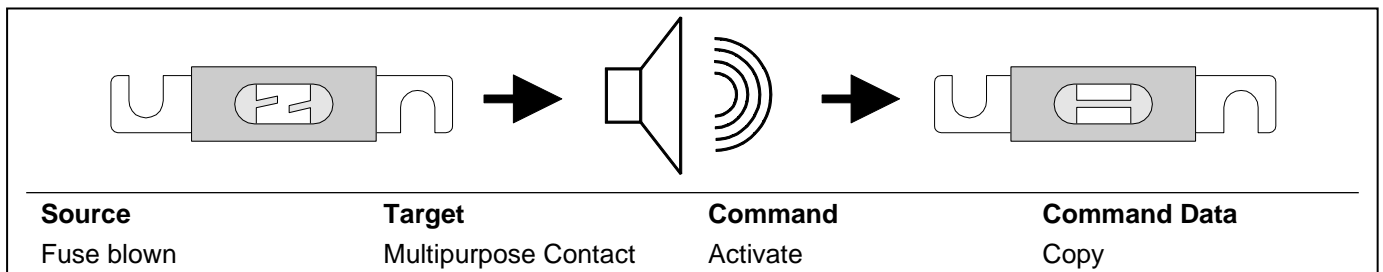
Likewise, the Multipurpose Contact Output can control other devices. The following example shows how event source "State" of the Multipurpose Contact Output, is used to control the feedback LED of a Digital Switch Input.

Event source	Event target	Event command	Event action
State	Switch input	Feed back 1	Copy

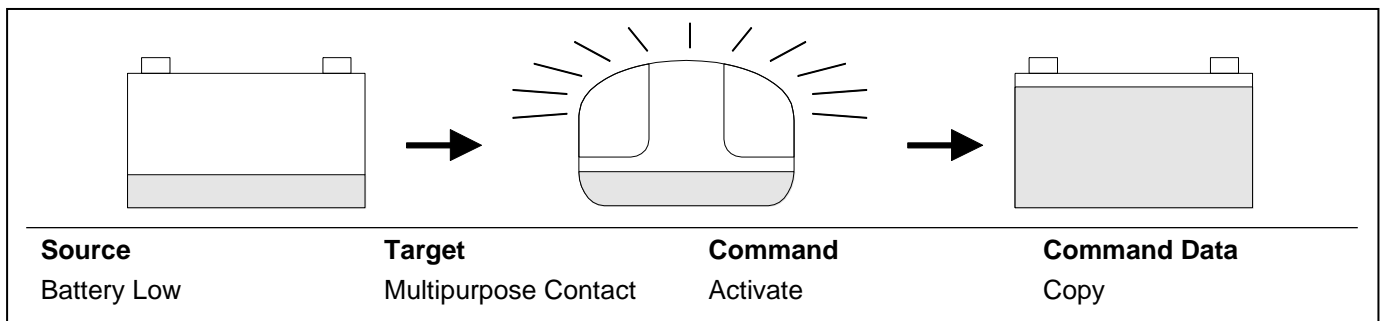
3. EXAMPLES



Where to configure: Mass Charger, Multipurpose contact controls: Fan



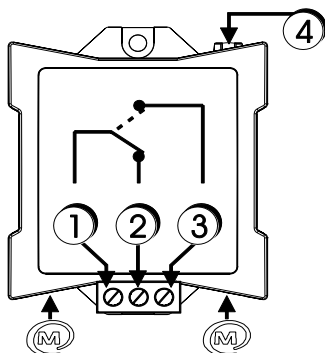
Where to configure: DC Distribution, Multipurpose contact controls: Buzzer



Where to configure: MasterShunt, Multipurpose contact controls: Generator

4. INSTALLATION

Insert the MasterBus cables, then connect the relay cables to the screw terminal input and outputs as shown below.



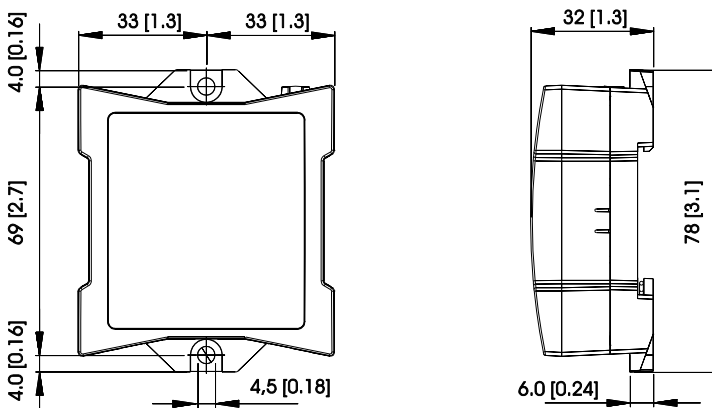
1. Input
 2. Output normally closed
 3. Output normally open
 4. Communication LED, illuminating when the state is "activate"
- (M) MasterBus connector

Function:
Stand by: 1 is connected to 2,
Activate: 1 is connected to 3,
Maximum relay current: 1A.

Overview and functional scheme of the Multipurpose Contact Output

5. SPECIFICATIONS

Model:	Multipurpose Contact Output
Product code:	77030500
Delivery also includes:	Screw terminal, MasterBus cable, MasterBus Terminator, User manual
Function of instrument:	MasterBus controlled Multipurpose Contact Output
Potential free contact:	NO-C-NC – 1 A / 30 V DC
Languages available:	English, Nederlands, Deutsch, Français, Castellano, Italiano, Norsk, Svenska, Suomi, Dansk
Power consumption:	132 mW
MasterBus Powering:	No
Din rail mounting:	Yes, Din rail 30 mm [1.2 inch]
Protection degree:	IP 21
Dimensions:	66 x 78 x 32 mm [2.6 x 3.1 x 1.3 inch]; see drawing below
Weight:	Approx. 80 gr [0.18 lb]



Dimensions in mm [inch]

Copyright © 2020 Mastervolt. All rights reserved.
 Reproduction, transfer, distribution or storage of part or all of the contents in this document in any form without the prior written permission of Mastervolt is prohibited.



Europe, Middle East & Africa

Customer Service

T: +31 (0) 20 34 22 100
 E: info@mastervolt.com

Technical Support

T: +31 (0) 20 34 22 100
 E: ts@mastervolt.com

Location & Shipping

Mastervolt
 Snijdersbergweg 93
 1105 AN Amsterdam
 The Netherlands

Americas & Caribbean

Customer Service

T: +1 800 307 6702, Option 1
 E: orderentry@marinco.com

Technical Support

T: +1 800 307 6702, Option 2
 E: tsusa@mastervolt.com

Location & Shipping

Power Products, LLC
 N85 W12545 Westbrook Crossing
 Menomonee Falls, Wisconsin 53051
 United States

Asia Pacific

Customer Service

T: +64 9 415 7261 Option 1
 E: enquiries@bepmarine.com

Technical Support

T: +64 9 415 7261 Option 3
 E: technical@bepmarine.com

Location & Shipping

BEP Marine
 42 Apollo Drive
 Rosedale, Auckland 0632
 New Zealand