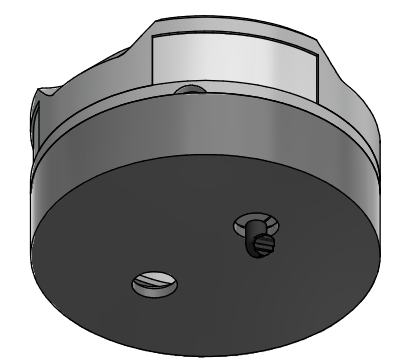
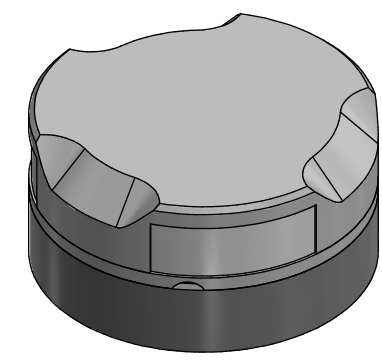
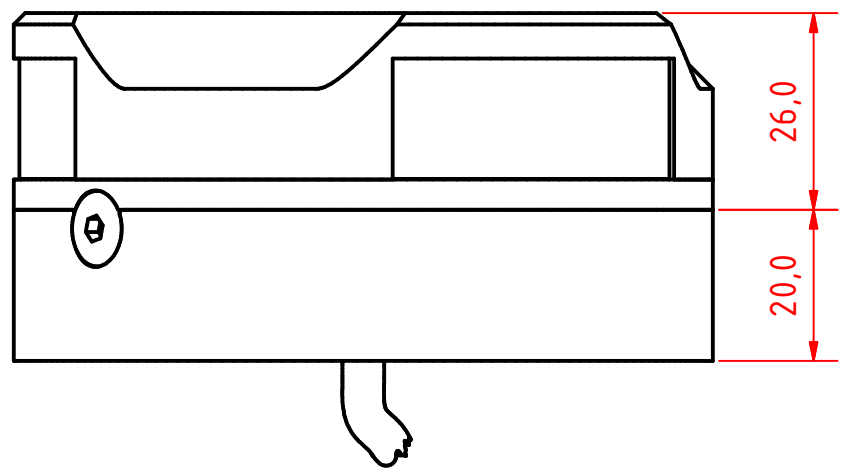
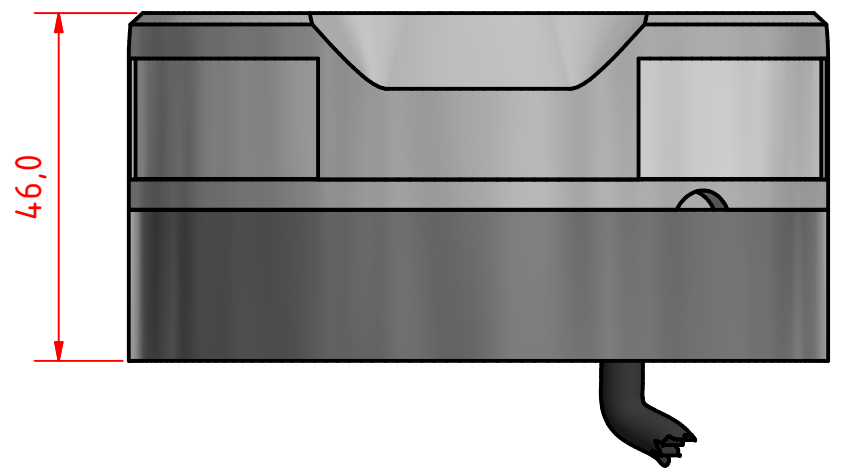
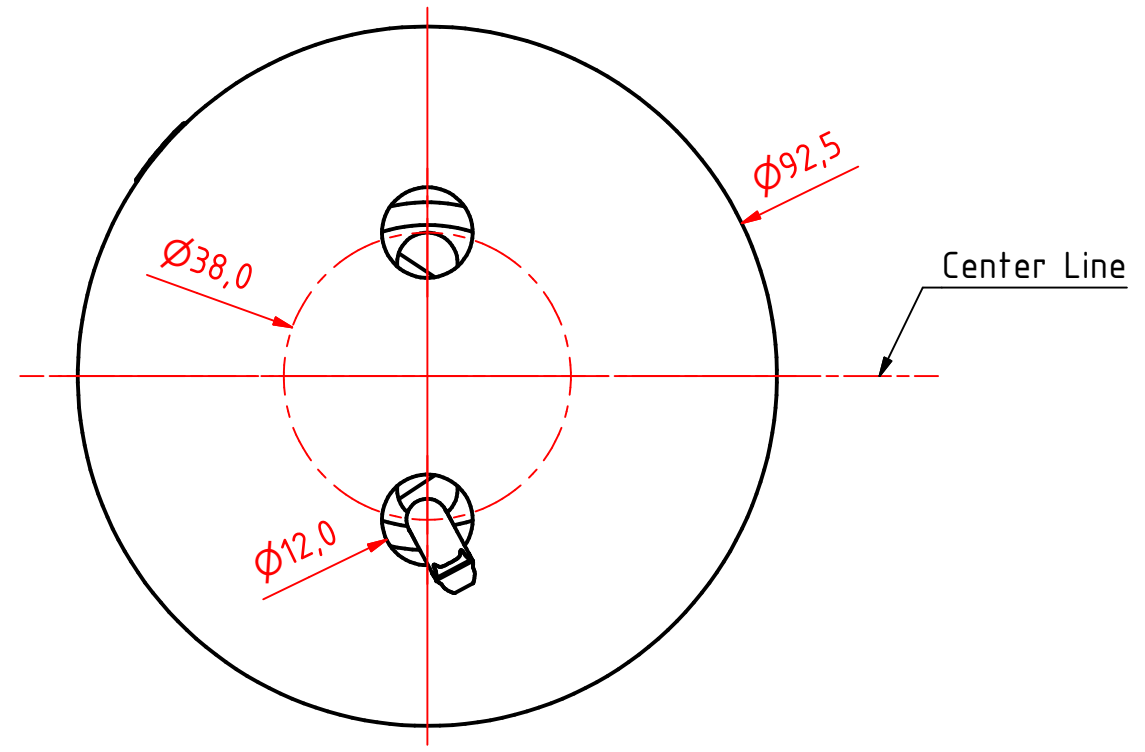
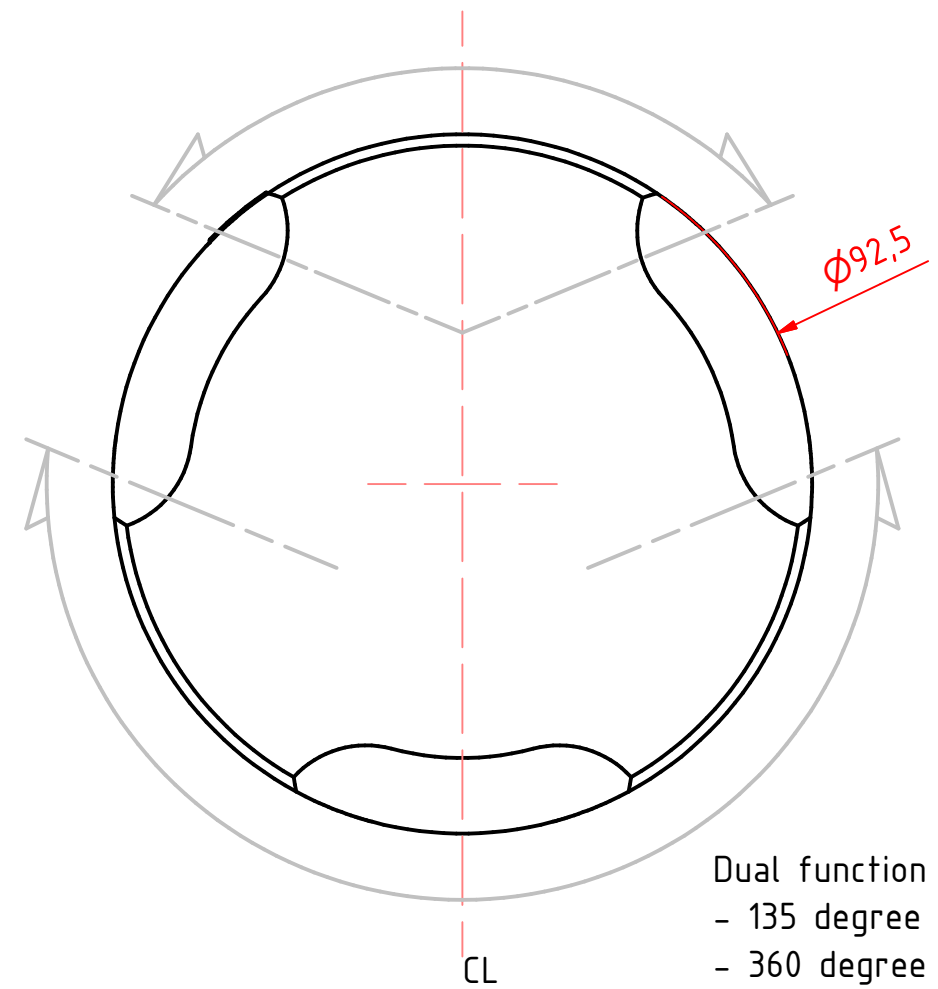


A B C D E F G H I J

1 2 3 4 5 6 7 8

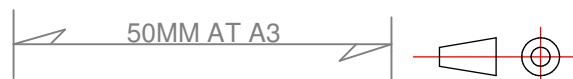


Note:
The PE Plastic base is intended for fitting on site and can be either drilled for mounting screws from above. 6mm screws with nuts and washers are recommended for secure mounting.



Rev1: 17/01/2019 Change on the name on the title block from masthead, stern, anchor to Stern/Masthead/anchor

Dual function light:
- 135 degree stern light
- 360 degree Steaming + stern, OR anchor light



201-030 2nm Stern/Masthead/anchor, on a 400-038 PE std base Sailboat Light			
DRAWING NO.: 201-030GA	REV. NO.: 1	SIZE: A3	DRAWN BY: Sergio
SCALE: 1:1	TOLERANCES: DS/ISO 2768-f	REVIEWED BY: PHC	CREATION DATE: 24-04-2018
MATERIAL DESCRIPTION: Aluminium, Acrylic, PE (20µ) Silver anodized according to EN ISO 7599 (50µ) Black anodized according to MIL-A 8625F			
This Drawing, and the information within, is the property of Lopolight ApS and may not be used in any form without express permission there from. Lopolight reserves the right to change this drawing and assumes no liability for the information communicated herein. Use of dimensions and other information in this drawing is at the users own risk.			

LOPOLIGHT
Lopolight ApS
Bakkegaardsvej 513
DK-3050, Humlebaek
Denmark
www.lopolight.com
Tel:(+45) 32 48 50 30 Fax:(+45) 32 48 50 32
info@lopolight.com

A B C D E F G H I J

8