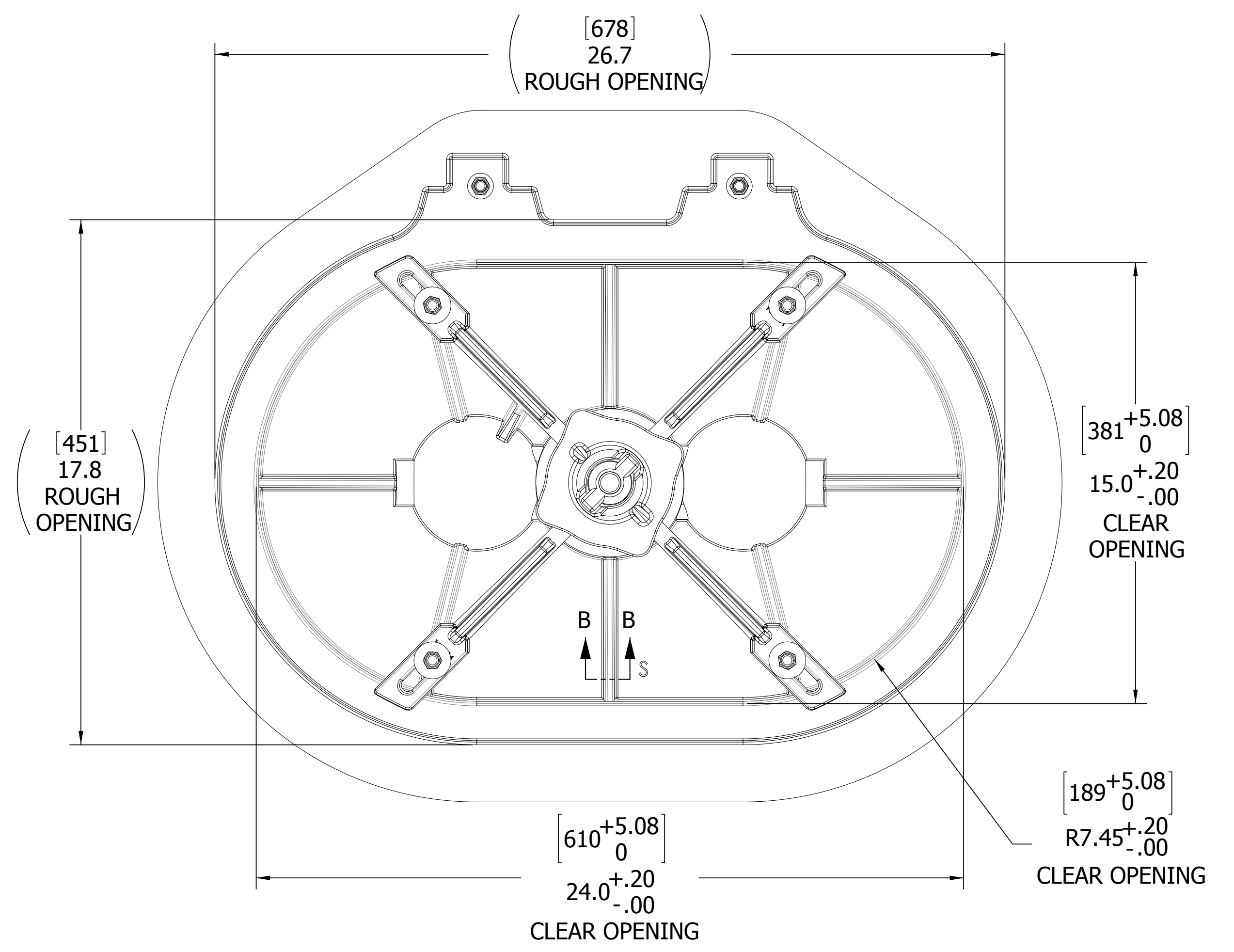
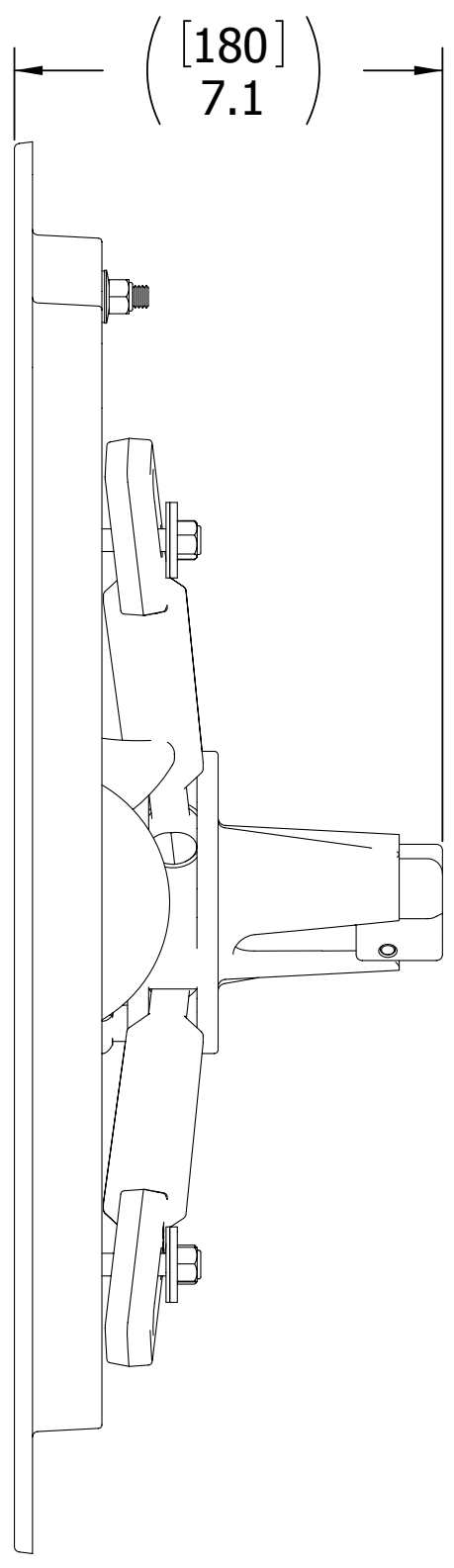
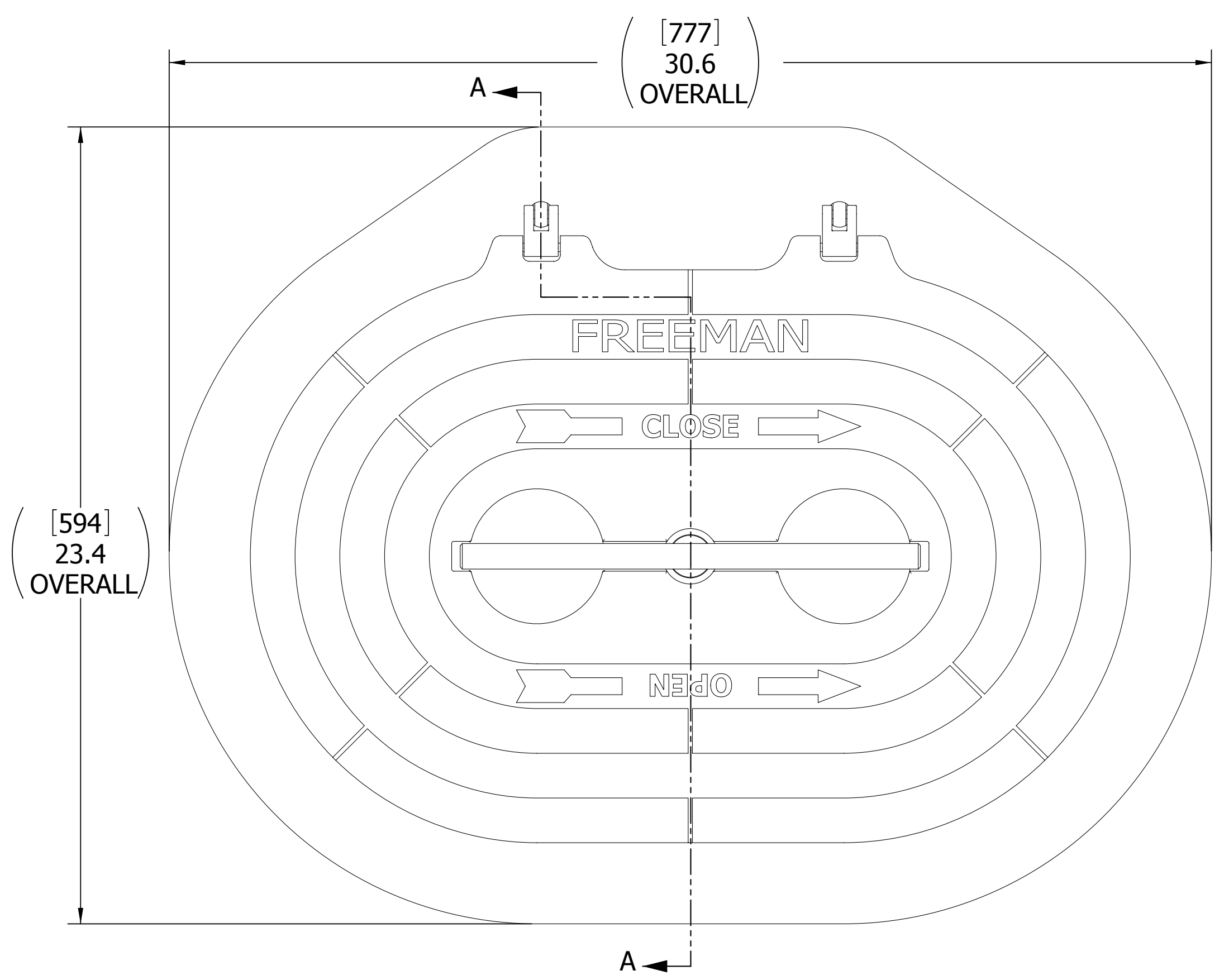


D

C

B

A



- 11. FINISH - COVER: BARE METAL, AS MANUFACTURED.  
FINISH - COAMING: BARE METAL, AS MANUFACTURED.
- 10. FOR SPECIFIC INFORMATION CONTACT SALES.
- 9. COMPLETE ASSEMBLY WEIGHT W/ DECK RING, 37.3LBS/ 16.9K.
- 8. DOGGING PRESSURE FULLY ADJUSTABLE.
- 7. HANDLE POSITION TOPSIDE INDICATES WHETHER DOGGING MECHANISM IS IN OPEN OR CLOSED POSITION.
- 6. ALUMINUM ALLOY MECHANISM SHOWN.
- 5. FLUSH, WATERTIGHT CONSTRUCTION.
- 4. INTEGRAL TOPSIDE "T" HANDLE STANDARD, OTHER TOPSIDE ACTUATION AVAILABLE.
- 3. CAST ALUMINUM ALLOY FLANGE, FLANGE CAN BE DRILLED FOR BOLTED INSTALLATIONS OR WELDED TO ALUMINUM.
- 2. QUICK-ACTING, MECHANISM ENGAGES OR DISENGAGES IN QUARTER-TURN OF CENTER SPINDLE.
- 1. 14.8" x 23.8" CLEAR OPENING, ALL DIMENSIONS SHOWN SUBJECT TO CASTING VARIATION AND ARE REFERENCE ONLY.

NOTES: UNLESS OTHERWISE SPECIFIED.

REV.	DESCRIPTION:	DATE:	DRAWN:
-	INITIAL RELEASE	25JUL05	MKF
A	UPDATE GEN. NOTES & B.O.M.	04NOV11	PPC
B	RE-ATTACH DIMENSIONS; B.O.M. ITEMS TO MATCH VISUAL	23FEB12	RR

SPECIFICATIONS SUBJECT TO CHANGE WITHOUT NOTICE.

PROJECTION

UNLESS OTHERWISE SPECIFIED DIMENSIONS ARE IN INCHES. TOLERANCES FOR ROUGH AND CLEAR OPENING: .125 INCH. ALL OTHERS ARE:

.X .XX .XXX ANGLES  
±.1 ±.03 ±.010 ±2°

DO NOT SCALE DRAWING

**FREEMAN MARINE EQUIPMENT, INC.**

28336 HUNTER CREEK ROAD  
GOLD BEACH, OR 97444 U.S.A.  
PHONE: 541-247-7078 FAX: 541-247-2114  
www.freemanmarine.com

CONFIDENTIAL PROPERTY OF FREEMAN MARINE EQUIPMENT INC. UNAUTHORIZED USE, COPYING OR DISTRIBUTION IS STRICTLY PROHIBITED. POSSESSOR OF THIS DOCUMENT AGREES TO THE FOREGOING AND SHALL RETURN THIS DOCUMENT UPON REQUEST. © ALL RIGHTS RESERVED 2004

CLIENT: FREEMAN MARINE EQUIPMENT, INC.

TITLE: HATCH: 1524-H, AL COVER, AL RING

SIZE	CAGE CODE	DRAWING NUMBER	REV.
D	64747	2473-0002	B

SCALE: 1:3    CALC. WT.    ACT. WT.    SHEET 1 OF 3