

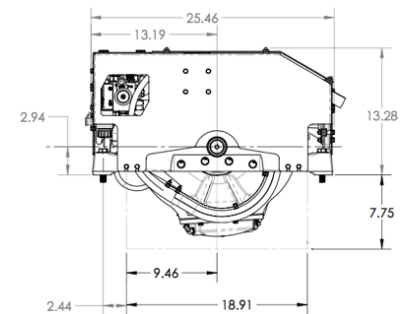
The Seakeeper 2 is designed to eliminate up to 95% of boat roll on recreational vessels ~31 to 35 feet (9-10.5 meters) or up to ~7.5 tons. It runs exclusively on 12V DC power, has no outside appendages and can be installed virtually anywhere on board.

## TECH SPECS

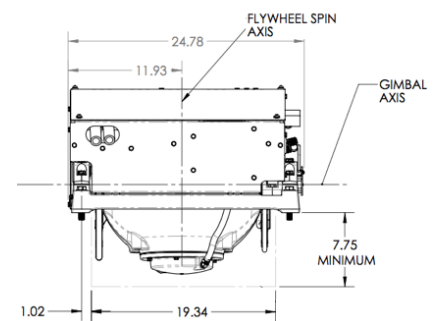
<b>Rated Speed</b>	9,000 RPM
<b>Angular Momentum at Rated RPM</b>	2,000 N-M-S
<b>Max Anti-Rolling Torque at Rated RPM</b>	5,249 N-M
<b>Spool-up Time to Rated RPM</b>	35 minutes (9,000 RPM)
<b>Spool-up Time to Stabilization</b>	24 minutes (7,650 RPM)
<b>Spool-up Power</b>	
DC Input	850 Watts Max
<b>Operating Power</b>	
AC Input	N/A
DC Input	300 - 650 Watts (Sea State Dependent)
AC Input Voltage	N/A
DC Input Voltage	12 VDC @ 75 Amps
<b>Ambient Air Temperature</b>	0° - 60° C (32° - 140° F)
<b>Weight</b>	414 lbs (188 kg)
<b>Envelope Dimensions</b>	
	Length x Width x Height
	25.5 L x 24.8 W x 20.0 H (Inches)
	0.648 L x 0.630 W x 0.508 H (Meters)
<b>Noise Output</b>	<68 dBC at 1 meter



## PORT VIEW



## FRONT VIEW



## TOP VIEW

