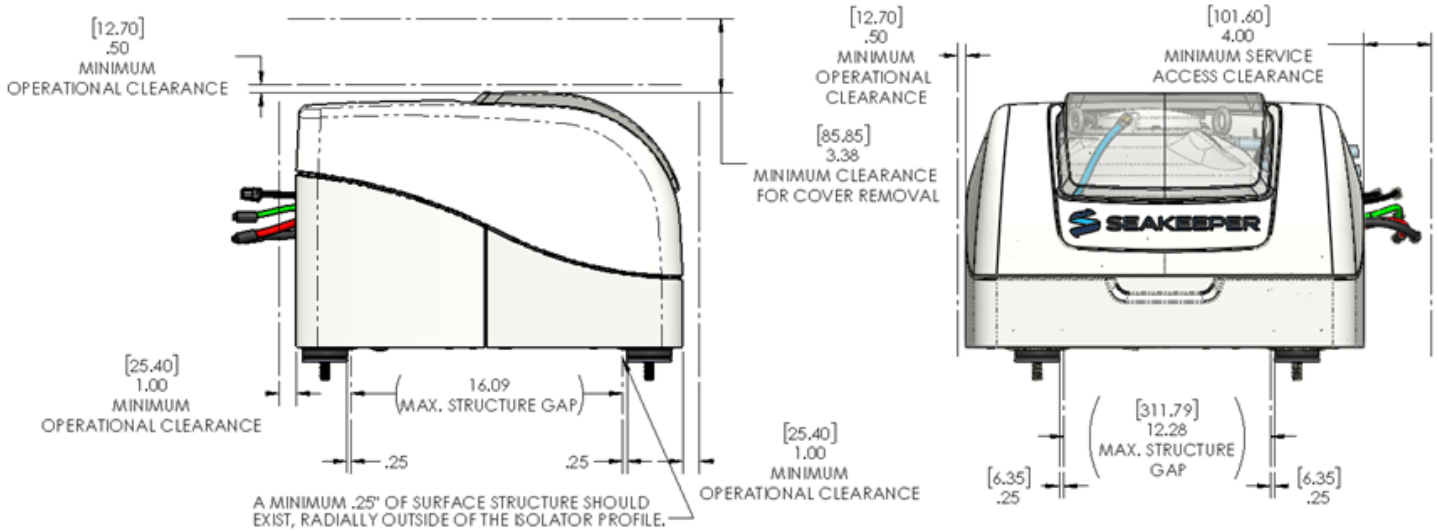


## 1. SEAKEEPER 1 CLEARANCE DIMENSIONS

The operating and service clearances of the Seakeeper 1 are shown in the following figure. The Seakeeper 1 installation must allow for the removal of the cover for maintenance and service via top-down access or by providing access adjacent to the unit with the minimum overhead clearance specified. **The Seakeeper 1 cannot be serviced if the cover cannot be removed.**

**REMINDER:** Refer to the Seakeeper 1 Bolt-In Installation Details (90516) for additional information.



**Figure 1: Seakeeper 1 Bolt-In Clearance Dimensions**

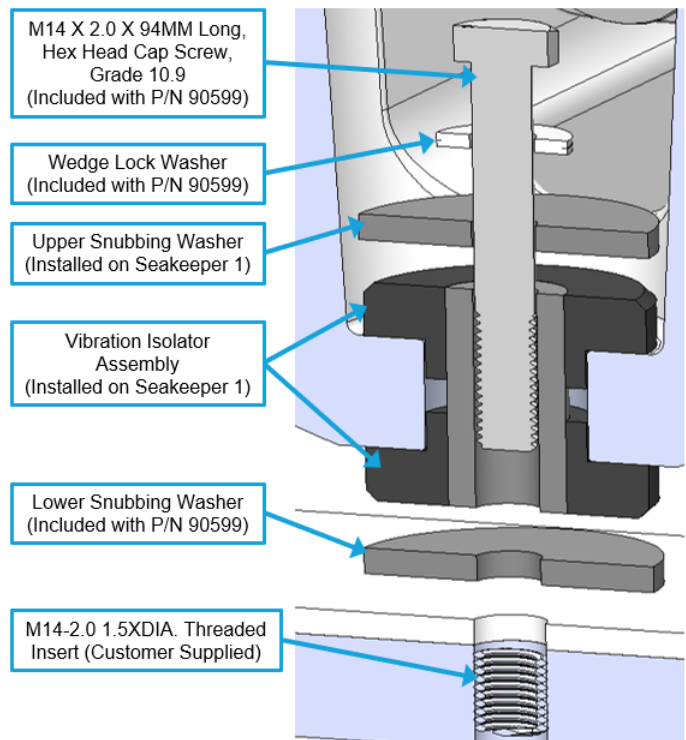
## 2. SEAKEEPER 1 BOLT-IN KIT (P/N 90599)

The Seakeeper 1 Bolt-In Kit (P/N 90599) is required for Seakeeper 1 installations. The Bolt-In Kit components are shown in the following figure.

**WARNING:**

- New Seakeeper supplied bolts must be used for each installation and re-installation. Bolts cannot be reused.
- Seakeeper 1 Foundation Bolts must be torqued to specification: 115 ft-lbs (156 N-m).
- Threaded inserts are required for aluminum (or similar) tapping plates.

**REMINDER:** Refer to the Seakeeper Installation Manual (90519) for detailed installation instructions.



**Figure 2: Seakeeper 1 Bolt-In Kit (P/N 90599)**