



Part Number 90667 (Serial Number starts at 18-214-1000)

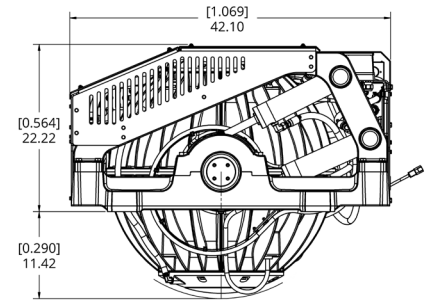
The Seakeeper 18 is designed to eliminate up to 95% of boat roll on recreational vessels ~65 to 75 feet (20-23 meters) or up to ~56 tons. It requires modest electrical power, has no outside appendages and can be installed virtually anywhere on board.

TECH SPECS

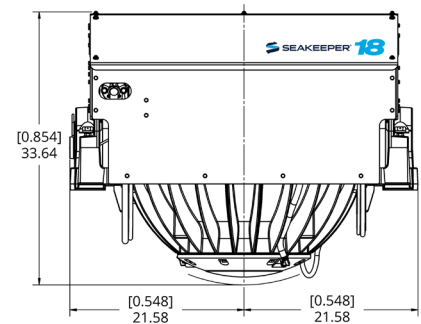
Rated Speed	6,150 RPM
Angular Momentum at Rated RPM	18,000 N-M-S
Max Anti-Rolling Torque at Rated RPM	34,980 N-M
Spool-up Time to Rated RPM	45 minutes (6,150 RPM)
Spool-up Time to Stabilization	32 minutes (5,230 RPM)
Spool-up Power	
AC Motor	3,700 Watts Max
DC Control	240 Watts
Operating Power	
AC Motor (sea state dependent)	1,200 - 3,700 Watts
DC Control	240 Watts
AC Input Voltage	208 - 230 VAC (+/-10%), 50/60 Hz, Single Phase @ 30 Amps
DC Input Voltage	24 VDC @ 10 Amps
Seakeeper Sea Water Pump (30322)	24 VDC
Fuse/Breaker	10 Amps Max
Alternate Seawater Pump	24 VDC @ 20 Amps Max
Sea Water Supply to Heat Exchanger	30 LPM (8 GPM) Maximum 15 LPM (4 GPM) Minimum
Ambient Air Temperature	0° - 60° C (32° - 140° F)
Weight	2,460 lbs (1,116 kg) Bolt-in Installation
Envelope Dimensions	Length x Width x Height 42.1 L x 43.1 W x 33.6 H (Inches) 1.069 L x 1.096 W x 0.854 H (Meters)
Noise Output	At full operating RPM, steady state noise measured in the factory at a 1 meter distance measures 66 - 68 dBC. (Sound levels may be higher during spool-up)



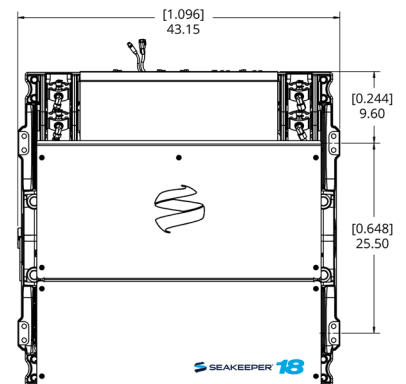
PORT VIEW



FRONT VIEW



TOP VIEW



SEAKEEPER