

FISHIN' BUDDY® MAX & FISHIN' BUDDY® MAX DI INSTALLATION GUIDE

532418-2_A

OVERVIEW

Following are instructions for the installation of the Fishin' Buddy MAX and Fishin' Buddy MAX DI. We encourage you to read this guide before starting the installation, so you may understand the installation requirements.

SUPPLIES: In addition to the hardware supplied with your control head, you will need eight (8) AA alkaline batteries, a Phillips-head screwdriver, and a flat-head screwdriver. If you plan to permanently mount the Fishin' Buddy MAX to your boat, you will also need four (4) #10 wood screws or bolts, a marker or pencil, a powered hand drill and various drill bits, safety glasses and dust mask, and marine-grade silicone sealant (see *Attach the Fishin' Buddy MAX Mounting Clamp to the Boat* for more information).

WARNING! Remove the Fishin' Buddy MAX from the mounting clamp when the boat is traveling. Do NOT travel at high speeds with the Fishin' Buddy MAX installed as it can cause damage. Use the Fishin' Buddy MAX at trolling speed only.

WARNING! Do NOT attempt to power the Fishin' Buddy MAX from the boat's power supply. This can result in permanent damage to your Fishin' Buddy MAX. Humminbird® is not responsible for over-voltage or over-current failures.

NOTE: The procedures and features described in this guide are subject to change without notice. This guide was written in English and may have been translated to another language. Humminbird is not responsible for incorrect translations or discrepancies between documents.

NOTE: The illustrations in this guide may not look the same as your product, but your unit will function in the same way.

INSTALLATION OVERVIEW

The Fishin' Buddy MAX installation requires the following main assembly tasks:

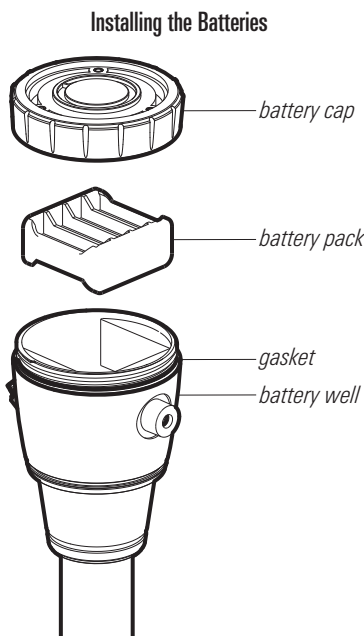
- Insert the Batteries in the Battery Well
- Attach the Control Head Mounting Bracket to the Fishin' Buddy MAX Shaft
- Install the Control Head
- Connect the Cables to the Control Head
- Attach the Fishin' Buddy MAX Mounting Clamp to the Transom
- Mount the Fishin' Buddy MAX

1. Insert the Batteries in the Battery Well

The Fishin' Buddy MAX requires eight alkaline AA batteries (not included).

CAUTION! Always remove discharged batteries promptly and before periods of storage to prevent potential damage due to battery acid leakage. Failure to do so may void your warranty.

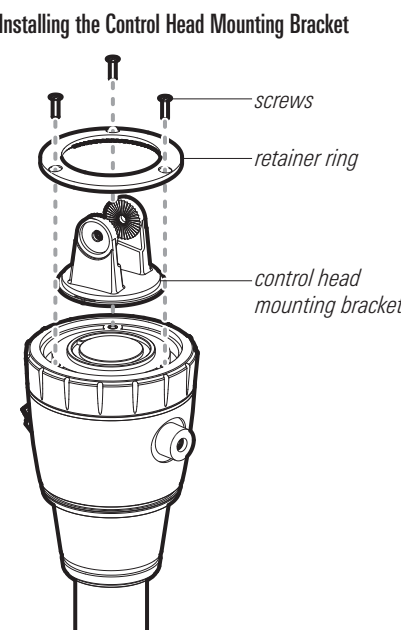
1. Turn the battery cap counterclockwise and remove it from the battery well.
 2. Gently lift the battery pack out of the battery well (see the illustration *Installing the Batteries*).
- NOTE:** Do NOT remove the foam insert from inside the battery well.
3. Using the diagram inside the battery pack as a guide, install the eight alkaline AA batteries (not included).
 4. Install the battery pack in the battery well. Confirm the wires are stored along the inside wall of the battery well (and not underneath the battery pack).
 5. Confirm the gasket is positioned correctly around the battery well (see the illustration *Installing the Batteries*).
 6. Install the battery cap on the battery well and turn clockwise to tighten. **Hand-tighten only!**



2. Attach the Control Head Mounting Bracket

After installing the batteries, use the following instructions to install the control head mounting bracket.

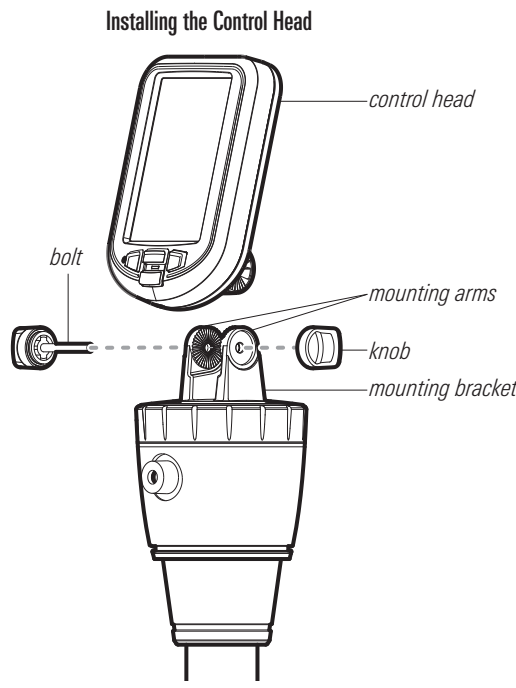
1. Set the control head mounting bracket in place on top of the battery cap.
 2. Align the three screw holes on the retainer ring with the screw holes on top of the battery cap and install the retainer ring over the control head mounting bracket. See the illustration *Installing the Control Head Mounting Bracket*.
 3. Insert the three #6 flat-head machine screws (included) into the threaded screw holes. Hand-tighten each screw just enough to hold the retainer ring in place.
- NOTE:** Do not fully tighten the screws until all three screws are in place.
4. After all three screws are installed, fully tighten each screw to secure the mounting bracket. **Hand-tighten only!**



3. Install the Control Head

1. Position the control head so the screen is facing the opposite side of the cables on the battery well (see the illustration *Installing the Control Head*). Rotate the control head mounting bracket, if necessary.
2. Install the control head on the mounting bracket.
3. Tilt the control head to adjust the viewing angle, as needed.
4. Once you have set the control head viewing angle, insert the included bolt through the hole on the mounting arm. Screw the mounting knob on to the end of the bolt and hand-tighten. **Hand-tighten only!**

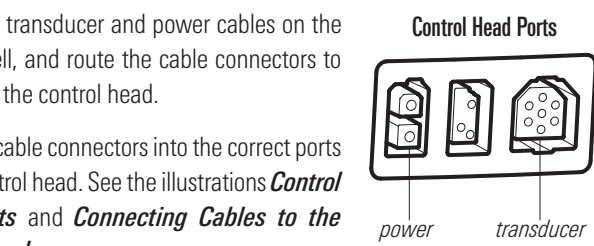
Rotate the Control Head: Swivel the control head on the mounting bracket by grasping the control head mounting bracket and rotating it.



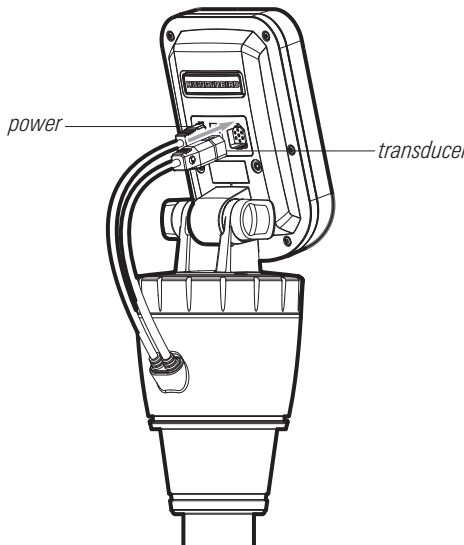
4. Connect the Cables to the Control Head

Use the following instructions to attach the transducer and power cables on the battery well to the keyed connectors on the back of the control head.

1. Locate the transducer and power cables on the battery well, and route the cable connectors to the rear of the control head.
2. Insert the cable connectors into the correct ports on the control head. See the illustrations *Control Head Ports* and *Connecting Cables to the Control Head*.



Connecting Cables to the Control Head



5. Attach the Fishin' Buddy MAX Mounting Clamp to the Boat

Review the following installation options before proceeding with the installation:

- **Temporary Mount:** Attach the mounting clamp to the boat using the clamp feature. The clamp provides the most versatile and portable method to mount the Fishin' Buddy MAX to the transom of your boat.
- OR
- **Permanent Mount:** Attach the mounting clamp using the permanent mounting slots to screw or bolt the mounting clamp to the boat. You will need four (4) #10 wood screws or bolts and marine-grade silicone sealant (not included).

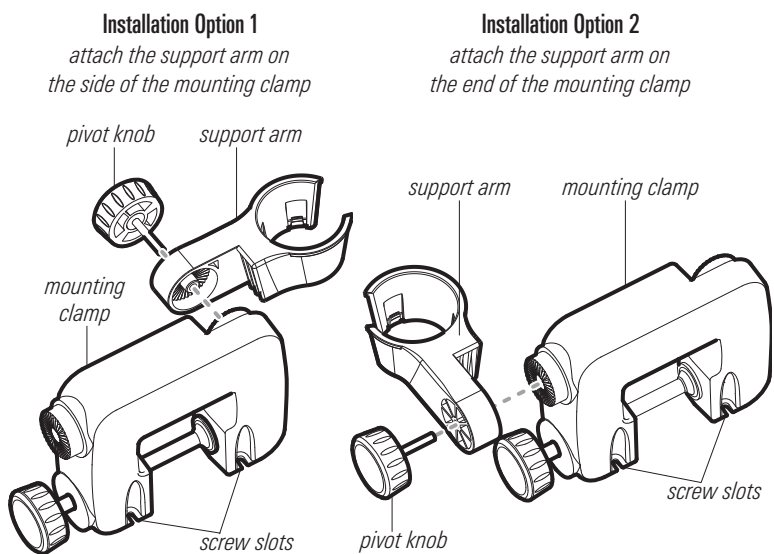
Determine the Mounting Location

Use the following information when considering a mounting location:

- The Fishin' Buddy MAX should be mounted where it will be visible and accessible.
- The Fishin' Buddy MAX must be mounted so that the transducer (located at the end of the Fishin' Buddy MAX shaft) is fully submerged in the water, because the sonar signal cannot pass through air.
- **Turbulence:** It is very important to locate the transducer in an area that is relatively free of turbulent water. As the boat moves through the water, turbulence is generated by the weight of the boat and the thrust of the propeller(s) - either clockwise or counterclockwise. This turbulent water is normally confined to areas immediately aft of ribs, strakes, or rows of rivets on the bottom of the boat, and in the immediate area of the propeller(s). Clockwise propellers create more turbulence on the port side. On outboard or inboard/outboard boats, it is best to locate the transducer at least 15° to the side of the propeller(s).
- **Fishin' Buddy MAX DI:** The Down Imaging® transducer must be oriented so that the pointed end of the transducer body points towards the stern (or behind the boat). The front, rounded end must point towards the bow. See *Mounting the Fishin' Buddy MAX DI* for more information.

Assemble the Mounting Clamp

1. Determine the assembly option for your mounting location using the illustrations below.



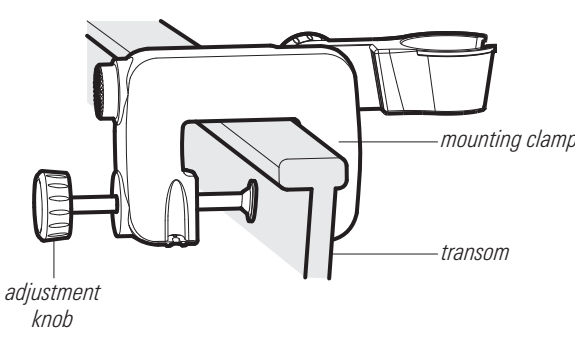
2. Align the ratcheted hole on the support arm with the ratcheted mounting location determined in step 1. See the illustrations *Mounting Option 1* and *Mounting Option 2*.
3. Thread the pivot knob through the hole in the support arm and turn clockwise to tighten (see the illustrations *Mounting Option 1* and *Mounting Option 2*). **Hand-tighten only!**

Attach the Mounting Clamp to the Transom

To permanently mount the Fishin' Buddy MAX to your boat, see the section *Permanently Install the Mounting Clamp*.

1. Loosen the clamp by turning the adjustment knob counterclockwise.
2. Install the mounting clamp in the chosen mounting location. Confirm it is resting on the top surface of the transom (seated as far down as possible).
3. Turn the adjustment knob clockwise to secure the mounting clamp to the transom. **Do not over-tighten!**
4. Confirm the mounting clamp is securely installed. If the clamp feels unstable after tightening, loosen the adjustment knob, reposition the clamp, and repeat step 3.

Attaching the Mounting Clamp to the Transom



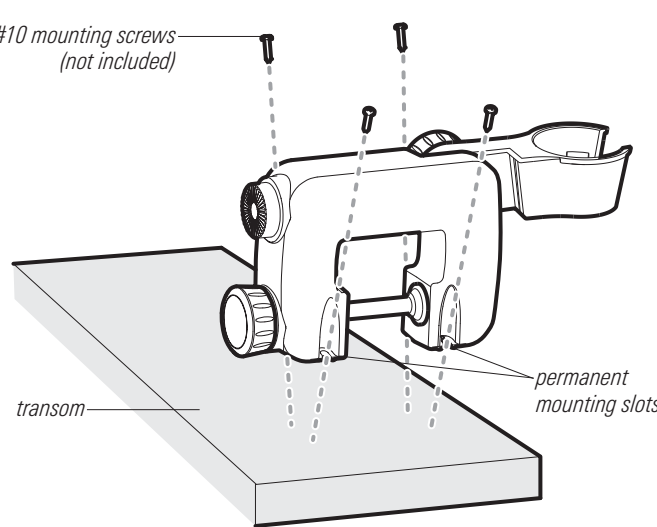
CAUTION! Do not over-tighten the clamp!

Permanently Install the Mounting Clamp

Use the following instructions to permanently mount the Fishin' Buddy MAX on your boat. Review the installation instructions before proceeding.

1. Hold the mounting clamp against the transom of the boat in the mounting location you have selected.
 2. Use the four permanent mounting slots at the base of the mounting bracket as a guide, and use a pencil or marker to mark where to drill the four mounting holes.
 3. Drill four pilot holes using a 7/64" drill bit. Apply marine-grade silicone sealant to the holes.
- NOTE:** On fiberglass, it is best to use progressively larger drill bits to reduce the chance of chipping or flaking the outer coating.
4. Reposition the mounting clamp and attach it to the boat using #10 wood screws or bolts (not included). **Hand-tighten only!**

Permanently Mounting the Clamp



Proceed to the installation section for you Fishin' Buddy MAX model, as follows:

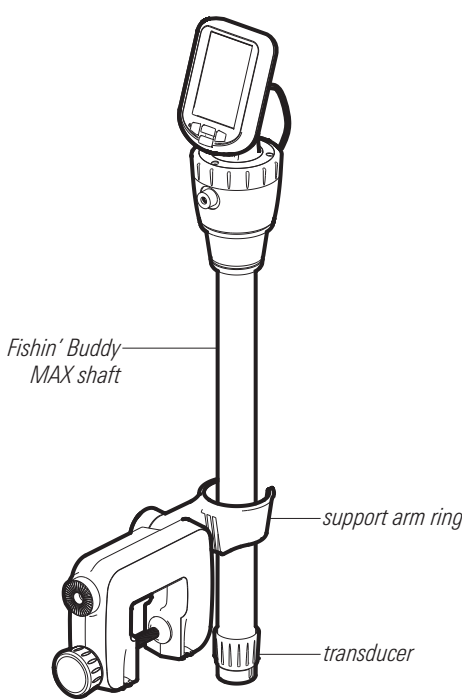
- Mount the Fishin' Buddy MAX
- Mount the Fishin' Buddy MAX DI

6. Mount the Fishin' Buddy MAX

When mounted, the Fishin' Buddy MAX must be positioned so that the transducer will be submerged when the boat is in the water.

1. Carefully slide the Fishin' Buddy MAX shaft through the support arm ring on the mounting clamp until the battery well snaps into place. Confirm it is fully seated in the support arm ring.

Installing the Fishin' Buddy MAX



2. You may need to adjust the mounting clamp support arm ring to keep the transducer pointing straight down. Loosen the pivot adjustment knob and make the necessary adjustments.

7. Mount the Fishin' Buddy MAX DI

The Down Imaging transducer has specific mounting requirements. Review the information below before proceeding with the installation.

- When mounted, the Fishin' Buddy MAX DI must be positioned so that the transducer will be submerged when the boat is in the water.
- The Down Imaging transducer must be oriented so that the pointed end of the transducer body points towards the stern (or behind the boat). The front, rounded end must point towards the bow. See the illustration *Completed Fishin' Buddy MAX DI Installation*.

Confirm the Transducer Orientation

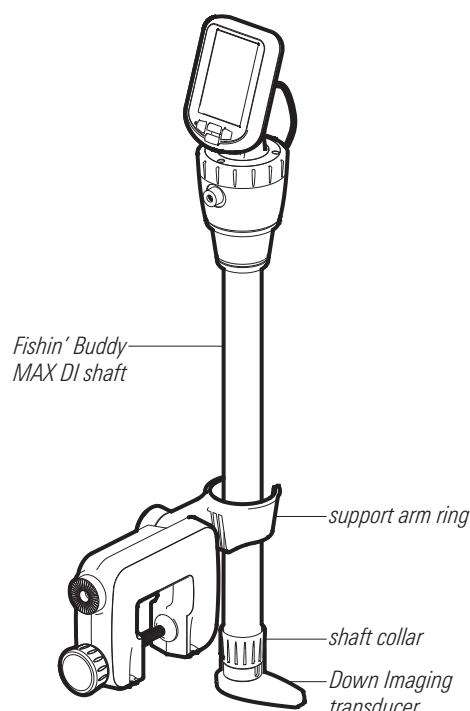
To install the Fishin' Buddy MAX DI with the correct transducer orientation, you may need to adjust the transducer position on the Fishin' Buddy MAX DI shaft.

1. Locate the shaft collar and turn it clockwise to loosen.
2. Pull the telescoping shaft down until it slides out from the Fishin' Buddy MAX DI shaft (see the illustration *Adjusting the Fishin' Buddy MAX DI Telescoping Shaft*). Do NOT pull on the transducer!
3. Rotate the telescoping shaft to set the correct transducer orientation.
4. Align the slots on the telescoping shaft with the slots at the base of the Fishin' Buddy MAX DI shaft and slide the telescoping shaft up to the desired length.
5. Slide the shaft collar up to the base of the shaft and turn counterclockwise to tighten.

Install the Fishin' Buddy MAX DI

1. Install the Fishin' Buddy MAX DI shaft through the opening in the support arm ring on the mounting clamp.
2. Slide the shaft down until the battery well snaps into place.
3. Swivel the control head, as needed, so the screen is facing you.

Installing the Fishin' Buddy MAX DI

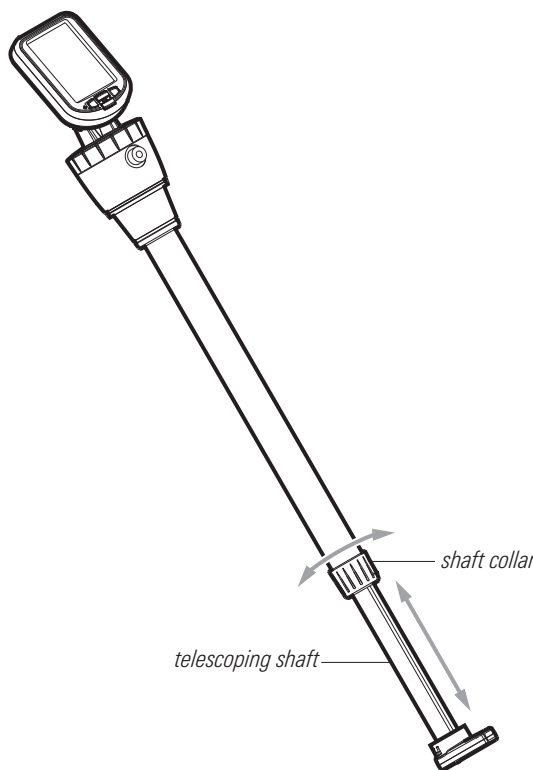


Adjust the Fishin' Buddy MAX DI Telescoping Shaft Length (Optional)

You may need to adjust the length of the Fishin' Buddy MAX DI telescoping shaft to fully submerge the transducer in the water. Refer to the instructions below.

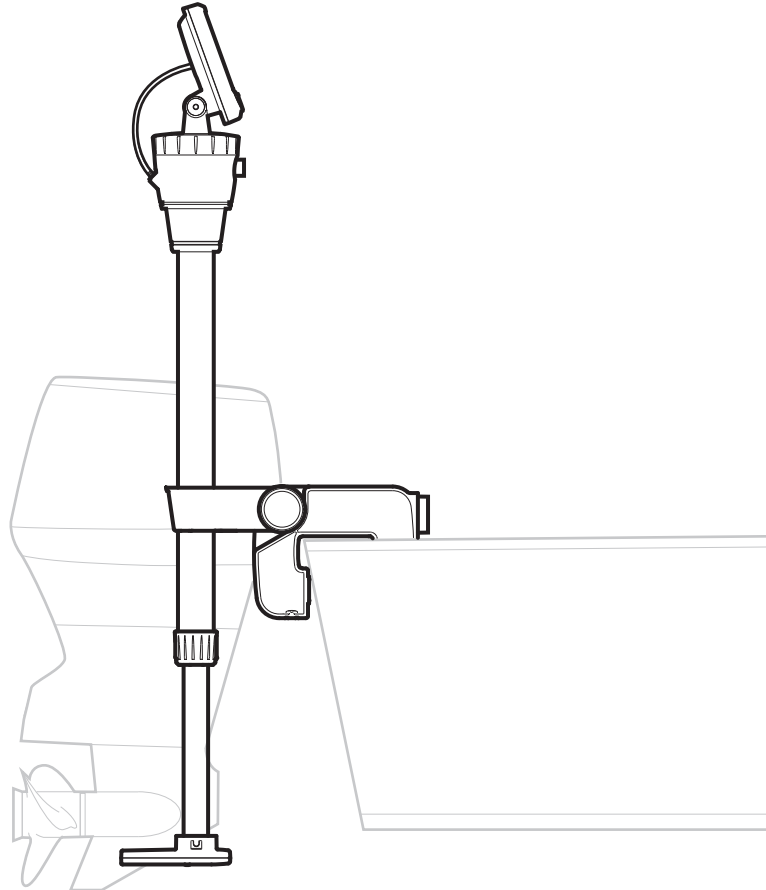
1. Remove the Fishin' Buddy MAX DI from the mounting clamp.
2. Locate the shaft collar and turn it clockwise to loosen.
3. Pull the shaft collar down and adjust the length of the telescoping shaft as needed. Do NOT pull on the transducer!
4. **Secure the Position:** Slide the shaft collar up to the base of the shaft and turn counterclockwise to tighten.
5. Install the Fishin' Buddy MAX DI in the support arm ring (see the section *Install the Fishin' Buddy MAX DI*).

Adjusting the Fishin' Buddy MAX DI Telescoping Shaft



Your control head is now ready for on-the-water operation. See your control head operations manual for further details.

Completed Fishin' Buddy MAX DI Installation



MAINTENANCE

Your Humminbird model is designed to provide years of trouble-free operation with virtually no maintenance. Follow the simple procedures below to ensure that your Humminbird model continues to deliver top performance.

Control Head Maintenance

It is important to consider the following precautions when using your control head.

WARNING! Do not use a chemical glass cleaner on the screen. Chemicals in the solution may cause cracking in the lens of the unit.

- Chemicals, such as those found in bug spray and sunscreen, may cause permanent damage to the control head screen. Such damage is not covered by the warranty.
- Never leave your Humminbird unit in a closed car or trunk - the extremely high temperatures generated in hot weather can damage the electronics.

Use the following information to keep the control head and screen clean.

- **Screen:** When cleaning the LCD protective screen, use a chamois and non-abrasive, mild cleaner. Be careful to avoid scratching the lens.
 - NOTE:** Do not wipe the screen while dirt or grease is on the screen.
- **Control Head:** If the unit comes into contact with salt spray, wipe the affected surfaces with a cloth dampened in fresh water.

Transducer Maintenance

- If your transducer remains in the water for long periods of time, algae and other marine growth can reduce the effectiveness of the transducer. Periodically clean the face of the transducer with a mild, marine-safe and plastic-safe soap or solution.
- If your transducer remains out of the water for a long period of time, it may take some time to wet the transducer when returned to the water. Small air bubbles can cling to the surface of the transducer and interfere with proper operation. These bubbles dissipate with time, or you can wipe the face of the transducer with your fingers after the transducer is in the water.

SPECIFICATIONS

Power Requirement 8 AA alkaline batteries

Battery Life 10 hours

NOTE: Continuous operation with the Backlight on can significantly reduce battery life.


WARNING! Disassembly and repair of this electronic unit should only be performed by authorized service personnel. Any modification of the serial number or attempt to repair the original equipment or accessories by unauthorized individuals will void the warranty.

NOTE: Product specifications and features are subject to change without notice.

ENVIRONMENTAL COMPLIANCE STATEMENT: It is the intention of Johnson Outdoors Marine Electronics, Inc. to be a responsible corporate citizen, operating in compliance with known and applicable environmental regulations, and a good neighbor in the communities where we make or sell our products.

WEEE DIRECTIVE: EU Directive 2002/96/EC "Waste of Electrical and Electronic Equipment Directive (WEEE)" impacts most distributors, sellers, and manufacturers of consumer electronics in the European Union. The WEEE Directive requires the producer of consumer electronics to take responsibility for the management of waste from their products to achieve environmentally responsible disposal during the product life cycle.

WEEE compliance may not be required in your location for electrical & electronic equipment (EEE), nor may it be required for EEE designed and intended as fixed or temporary installation in transportation vehicles such as automobiles, aircraft, and boats. In some European Union member states, these vehicles are considered outside of the scope of the Directive, and EEE for those applications can be considered excluded from the WEEE Directive requirement.

 This symbol (WEEE wheellie bin) on product indicates the product must not be disposed of with other household refuse. It must be disposed of and collected for recycling and recovery of waste EEE. Johnson Outdoors Marine Electronics, Inc. will mark all EEE products in accordance with the WEEE Directive. It is our goal to comply in the collection, treatment, recovery, and environmentally sound disposal of those products; however, these requirements do vary within European Union member states. For more information about where you should dispose of your waste equipment for recycling and recovery and/or your European Union member state requirements, please contact your dealer or distributor from which your product was purchased.

© 2018 Johnson Outdoors Marine Electronics, Inc. All rights reserved.

CONTACT HUMMINBIRD

Contact Humminbird Customer Service in any of the following ways:

Web site:
humminbird.com

E-mail:
service@humminbird.com

Telephone:
1-800-633-1468

Direct Shipping:
Humminbird
Service Department
678 Humminbird Lane
Eufaula, AL 36027 USA

Hours of Operation:
Monday - Friday
8:00 a.m. to 4:30 p.m. (Central Standard Time)



