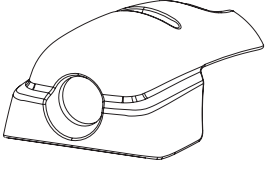
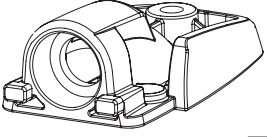
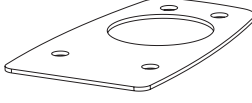


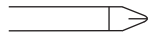





Parts List

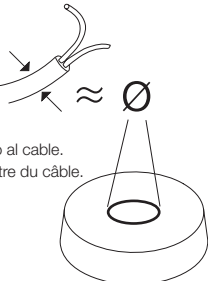
		
Shell x1	Base x1	Gasket x1
 M5X10 Bolt - (Black*) x1	Self Drill	6mm
 No. 6X16 self tapping screw x4	7mm	8mm
	9mm	10mm
		Bungs x6

Tools Required

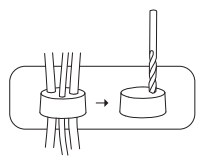
	
Pozi Screwdriver	Silicone
	
ø2.5mm (3/32") ø3mm (1/8") Drill Bit	ø25mm (1") Hole Saw/ Drill Bit

① Choose bung closest to cable ø.


DE - Wähle Dichtung nahe dem Kabel ø.  
IT - Scegliere il passafili adatto al ø del cavo.  
ES - Elija el tapón con el diámetro más parecido al cable.  
FR - Choisissez le joint le plus proche du diamètre du câble.



1a



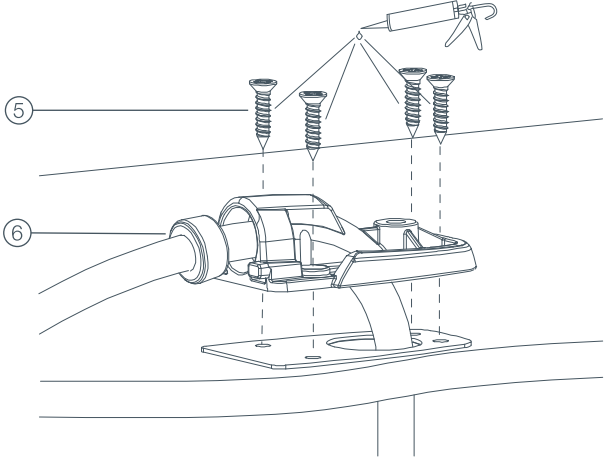
Tip: freeze before drilling



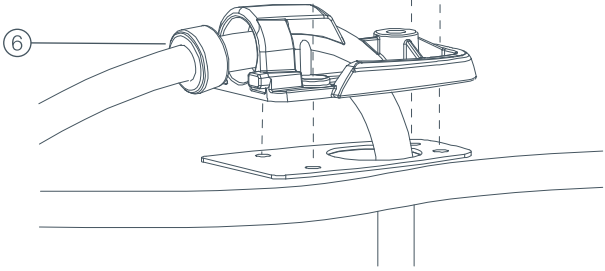
± 0.5mm

4mm (0.16")

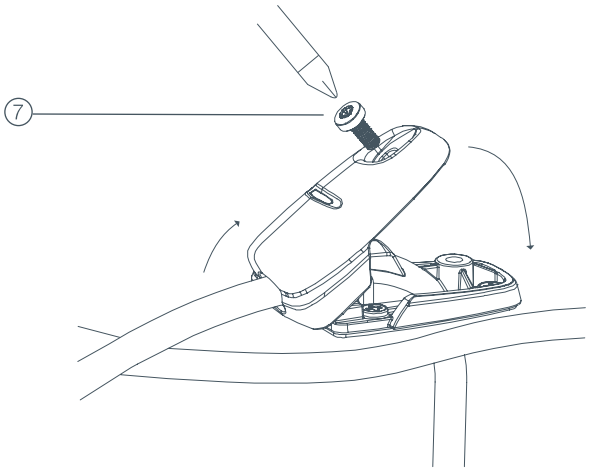
ø MAX. 10mm (0.39")  
ø MIN. 2mm (0.07")



5

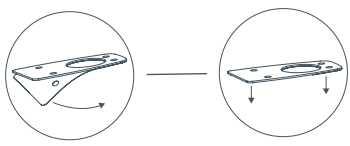


6

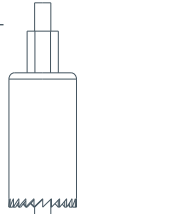


7

②



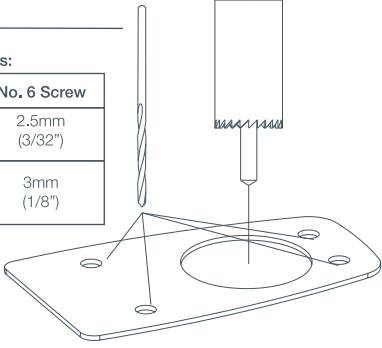
③ 25mm (1")



④

Suggested pilot holes:

Material	No. 6 Screw
Soft Material e.g. plywood	2.5mm (3/32")
Hard Material e.g. fiberglass, acrylic, hardwoods	3mm (1/8")



Share your installation with us.



UK & International  
+44 (0)1392 531280  
sales@scanstrut.com

For further installation  
and warranty information  
please visit:  
www.scanstrut.com

USA  
+1 860 308 1416  
usasales@scanstrut.com

**SCANSTRUT**