

## Temperature/Speed Accessory

### Thank You

Thank you for choosing Humminbird®, the #1 name in fishfinders. Humminbird® has built its reputation by designing and manufacturing top-quality, thoroughly reliable marine equipment. Genuine Humminbird® accessories offer the opportunity to upgrade and expand the capabilities of your Humminbird® product.

Your Humminbird® is designed for trouble-free use in even the harshest marine environment. In the unlikely event that your Humminbird® does require repairs, we offer an exclusive Service Policy - free of charge during the first year after purchase, and available at a reasonable rate after the one-year period. For complete details, see the Warranty section included in this manual.

Contact our Customer Resource Center at **1-800-633-1468** or visit our Web site at **humminbird.com**.

### Installation Overview

The Speed Only accessory includes a paddlewheel-type speed sensor, while the Temperature/Speed accessory includes the paddlewheel as well as a water temperature probe in a high impact plastic housing. The modules are intended for installation on the transom and will work well on almost any boat.

**NOTE:** If the Temperature/Speed and Speed Only accessories will not work for your application, call the Humminbird® Customer Resource Center at **1-800-633-1468** for details and pricing, or visit **humminbird.com** for more information.

Following are instructions for the installation of this accessory. Before you start installation, we encourage you to read these instructions carefully in order to get the full benefit from your Humminbird® accessory. If you find that any items are missing from your installation kit, call our Customer Resource Center at **1-800-633-1468** or visit our Web site at **humminbird.com**.

**Supplies:** In addition to the parts supplied, you will need a hand drill with various bits, marine-grade silicone sealant, and a Phillips head screwdriver.

### Installation

Perform the procedures in the following sections to install the Temperature/Speed Accessory on your boat.

#### 1. Locating the Temp/Speed Mounting Position

To determine where to mount the Temp/Speed Accessory, locate an area on the transom of your boat 6" to 8" or farther from the transducer(s). Make sure that the mounting location you choose will stay in contact with the water at high speeds. Do not mount the Temp/Speed Accessory directly in front of the propeller or outdrive, and make sure that there are no protrusions such as ribs, rows of rivets, or transducers directly forward of the mounting location, as these may affect the flow of water over the paddlewheel.

1. Align the accessory on the transom so that the tab located on the lower edge of the module is flush with the hull of the boat, and mark the hole locations using a pencil or punch.

**NOTE:** If the transom angle is excessive, a leveling block may be needed to level the paddlewheel for proper operation.

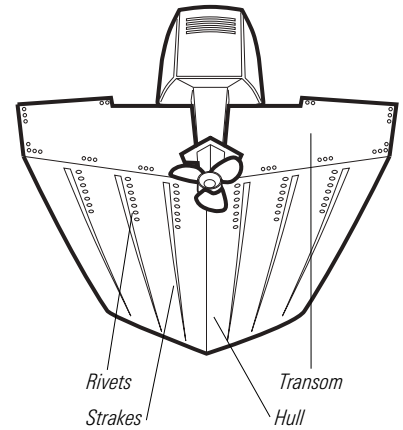
**NOTE:** On fiberglass hulls, it is best to start with a smaller bit and use progressively larger drill bits to reduce the chance of chipping or flaking the outer coating.

2. Drill two 9/64" mounting holes approximately 3/4" deep.
3. Seal the mounting holes with marine-grade silicone sealant, and attach the module to the transom using the two washers and two screws provided. **Hand tighten only!**

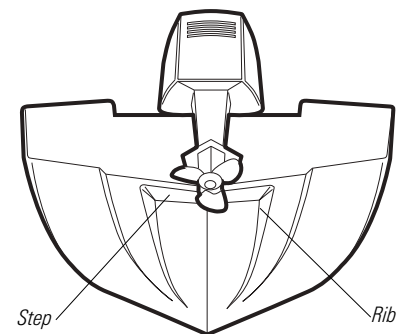
#### 2. Routing the Cable

The Speed/Temp cable has a low profile connector which must be routed to the point where the control head is mounted. There are several ways to route the cable to the area where the control head will be installed. The most common procedure routes the cable through the transom into the boat.

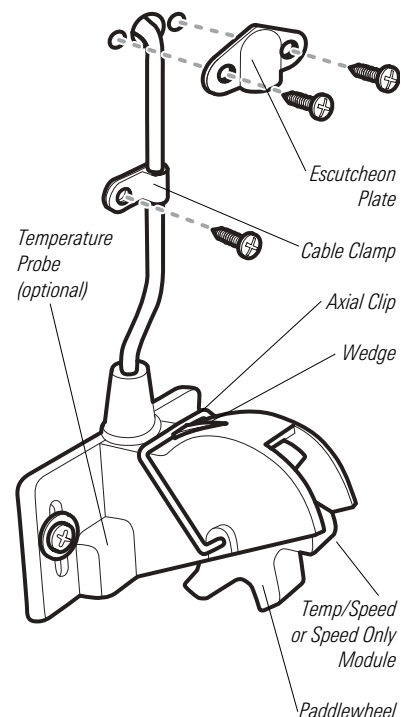
Areas of Possible Turbulence



Stepped Hull



Temperature/Speed Accessory Assembly



## Temperature/Speed Accessory

**NOTE:** Your boat may have a pre-existing wiring channel or conduit that you can use for the Speed/Temp cable.

1. Unplug the other end of the cable from the control head. Make sure that the cable is long enough to accommodate the planned route by running the cable over the transom.

**CAUTION!** Do not cut or shorten the Speed/Temp cable, and try not to damage the cable insulation. Route the cable as far as possible from any VHF radio antenna cables or tachometer cables to reduce the possibility of interference. If the cable is too short, extension cables are available to extend the cable up to a total of 50'. For assistance, contact the Customer Resource Center at [humminbird.com](http://humminbird.com) or call 1-800-633-1468 for more information.

**CAUTION!** Do NOT mount the cables where the connectors could be submerged in water or flooded. If cables are installed in a splash-prone area, it may be helpful to apply dielectric grease to the inside of the connectors to prevent corrosion. Dielectric grease can be purchased separately from a general hardware or automotive store.

- 2a. If you are routing the cable over the transom of the boat, secure the cable by attaching the cable clamp to the transom; drill one 9/64" diameter x 5/8" deep hole, then fill hole with marine-grade silicone sealant, and attach the cable clamp using a #8 x 5/8" screw. **Hand tighten only!**

or...

- 2b. If you will be routing the cable through a hole in the transom, drill a 5/8" diameter hole above the waterline. Route the cable through this hole, then fill the hole with marine-grade silicone sealant and proceed to the next step immediately.
3. Place the escutcheon plate over the cable hole and use it as a guide to mark the two escutcheon plate mounting holes. Remove the plate, drill two 9/64" diameter x 5/8" deep holes, and then fill both holes with marine-grade silicone sealant. Place the escutcheon plate over the cable hole and attach with two #8 x 5/8" wood screws. **Hand tighten only!**
4. Route and secure the cable by attaching the cable clamp to the transom; drill one 9/64" diameter x 5/8" deep hole, then fill hole with marine-grade silicone sealant, then attach the cable clamp using a #8 x 5/8" screw.

**NOTE:** If there is excess cable that needs to be gathered at one location, dress the cable routed from both directions so that a single loop is left extending from the storage location. Doubling the cable up from this point, form the cable into a coil. Storing excess cable using this method can reduce electronic interference.

5. Reconnect the end of the cable to the control head.

If the connection is correct, your control head will begin displaying water temperature immediately. If the Temperature/Speed Accessory fails to read at high speeds, adjust the height of the module on the transom of your boat.

## 3. Cleaning

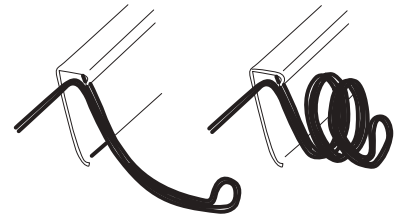
You should periodically remove the paddlewheel from the housing and clean it to remove growth resulting from the marine environment, as a clean paddlewheel results in more accurate readings.

**NOTE:** This procedure should only be performed when the boat is not running and is normally performed when the boat is out of the water.

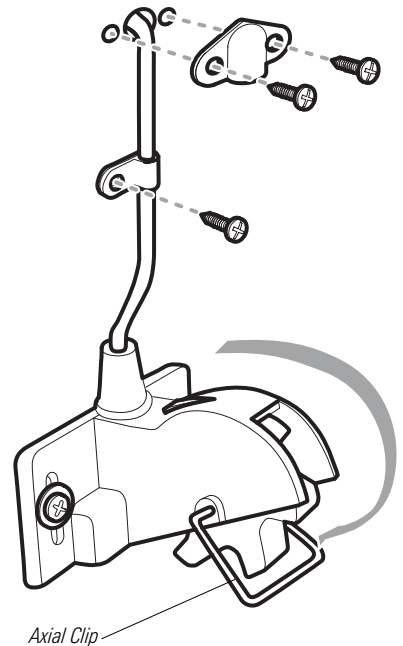
1. Clean the paddlewheel by disengaging the axial clip from the housing wedge and rotating it forward. Once you have rotated the axial clip, remove it from the housing by sliding it away from the holes in the housing.
2. Once the paddlewheel is removed, clean it with a mild solution of biodegradable soap or hot water, making sure to remove all debris and/or algae.
3. Once you have cleaned the paddlewheel, reinsert it into the housing.
4. Next, slide the axial clip back into the holes, then rotate it backwards to lock it into place with the wedge in the housing.

**NOTE:** The Paddlewheel must be oriented so that it is scooping the water (see the illustration).

Storing Excess Cable



Rotate the Axial Clip to Remove Paddlewheel



Axial Clip

## **1-Year Limited Warranty**

We warrant the original retail purchaser that products made by Humminbird® have been manufactured free from defects in materials and workmanship. This warranty is effective for one year from the date of original retail purchase. Humminbird® products found to be defective and covered by this warranty will be repaired or replaced free of charge at Humminbird® option and returned to the customer freight prepaid. Humminbird® sole responsibility under this warranty is limited to the repair or replacement of a product that has been deemed defective by Humminbird®. Humminbird® is not responsible for charges connected with the removal of such product or reinstallation of replaced or repaired parts.

This warranty does not apply to a product that has been:

- Improperly installed;
- Used in an installation other than that recommended in the product installation and operation instructions;
- Damaged or has failed because of an accident or abnormal operation;
- Repaired or modified by entities other than Humminbird®.

Please retain your original receipt as a proof of the purchase date. This will be required for in-warranty service.

THIS WARRANTY IS EXPRESSLY IN LIEU OF ANY OTHER WARRANTIES, OBLIGATIONS OR LIABILITIES ON THE PART OF HUMMINBIRD® AND WILL BE THE CUSTOMER'S EXCLUSIVE REMEDY, EXCEPT FOR ANY APPLICABLE IMPLIED WARRANTIES UNDER STATE LAW WHICH ARE HEREBY LIMITED IN DURATION TO ONE YEAR FROM THE DATE OF ORIGINAL PURCHASE. IN NO EVENT WILL HUMMINBIRD® BE LIABLE FOR ANY INCIDENTAL OR CONSEQUENTIAL DAMAGES FOR BREACH OF ANY EXPRESS OR IMPLIED WARRANTY RELATING TO THE PRODUCTS.

Some states do not allow limitations on an implied warranty, or the exclusion of incidental or consequential damages, so the above exclusions may not apply to you. You may also have other rights, which vary from state to state.

## **Humminbird® Service Policy**

Even though you'll probably never need to take advantage of our incredible service policy, it's good to know that we back our products this confidently. We do it because you deserve the best. We will make every effort to repair your unit within three business days from the receipt of your unit at our factory. This does not include shipping time to and from our factory. Units received on Friday are typically shipped by the following Wednesday, units received Monday are typically shipped by Thursday, etc.

All repair work is performed by factory-trained technicians to meet exacting factory specifications. Factory-serviced units go through the same rigorous testing and quality control inspections as new production units.

After the original warranty period, a standard flat rate service charge will be assessed for each repair (physical damage and missing parts are not included). Any repairs made after the original warranty will be warranted for an additional 90 days after service has been performed by our factory technicians. You can contact our Customer Resource Center or visit our Web site to verify the flat rate repair fee for your product (visit the Product Support section):

<http://www.humminbird.com>

We reserve the right to deem any product unserviceable when replacement parts are no longer available or impossible to obtain. This Service Policy is valid in the United States only. This applies only to Humminbird® products returned to our factory in Eufaula, Alabama. This Service Policy is subject to change without notice.

### **DOMESTIC (USA) CUSTOMERS:**

#### **PLEASE DO NOT RETURN THIS PRODUCT TO STORE FOR SERVICE**

For all technical issues please call **1-800-633-1468**

or visit **humminbird.com**, click **SUPPORT**.

Please reference product serial number and model number when contacting Humminbird®.

## Temperature/Speed Accessory

530523-2\_E

### Returning Your Unit for Service

Before sending your unit in for repair, please contact the factory, either by phone or by email, to obtain a Repair Authorization Number for your unit.

*NOTE: Please do not return your Humminbird® to the store for service.*

Please have your product model name and serial number available before calling the factory. If you contact the factory by e-mail, please include your product model name and serial number in the e-mail, and use Request for Repair Authorization Number for your e-mail subject header. You should include your Repair Authorization Number in all subsequent communications about your unit.

#### For IN-WARRANTY service, complete the following steps:

- Obtain a Repair Authorization Number from the Humminbird® Customer Resource Center.
- Tag product with your name, street address, phone number and your assigned Repair Authorization Number.
- Include a brief written description of the problem.
- Include a copy of your receipt (to show proof and date of purchase).
- Return product freight prepaid to Humminbird®, using an insured carrier with delivery confirmation.

#### For OUT-OF-WARRANTY service, complete the following steps:

- Obtain a Repair Authorization Number from the Humminbird® Customer Resource Center.
- Include payment in the form of credit card number and expiration date, or a money order. Please do not send cash.
- Tag product with your name, street address, phone number and your assigned Repair Authorization Number.
- Include a brief written description of the problem.
- Return product freight prepaid to Humminbird®, using an insured carrier with delivery confirmation.

### Contact Humminbird®

Contact the Humminbird® Customer Resource Center in any of the following ways:

#### **By Telephone**

(Monday - Friday 8:00 a.m. to 4:30 p.m. Central Standard Time):

1-800-633-1468

#### **By e-mail**

(typically we respond to your e-mail within three business days):

[service@humminbird.com](mailto:service@humminbird.com)

For direct shipping, our address is:

**Humminbird  
Service Department  
678 Humminbird Lane  
Eufaula, AL 36027 USA**

**ENVIRONMENTAL COMPLIANCE STATEMENT:** *It is the intention of Johnson Outdoors Marine Electronics, Inc. to be a responsible corporate citizen, operating in compliance with known and applicable environmental regulations, and a good neighbor in the communities where we make or sell our products.*

**WEEE DIRECTIVE:** *EU Directive 2002/96/EC "Waste of Electrical and Electronic Equipment Directive (WEEE)" impacts most distributors, sellers, and manufacturers of consumer electronics in the European Union. The WEEE Directive requires the producer of consumer electronics to take responsibility for the management of waste from their products to achieve environmentally responsible disposal during the product life cycle.*

*WEEE compliance may not be required in your location for electrical & electronic equipment (EEE), nor may it be required for EEE designed and intended as fixed or temporary installation in transportation vehicles such as automobiles, aircraft, and boats. In some European Union member states, these vehicles are considered outside of the scope of the Directive, and EEE for those applications can be considered excluded from the WEEE Directive requirement.*

 *This symbol (WEEE wheeled bin) on product indicates the product must not be disposed of with other household refuse. It must be disposed of and collected for recycling and recovery of waste EEE. Johnson Outdoors Marine Electronics, Inc. will mark all EEE products in accordance with the WEEE Directive. It is our goal to comply in the collection, treatment, recovery, and environmentally sound disposal of those products; however, these requirements do vary within European Union member states. For more information about where you should dispose of your waste equipment for recycling and recovery and/or your European Union member state requirements, please contact your dealer or distributor from which your product was purchased.*