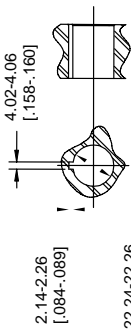
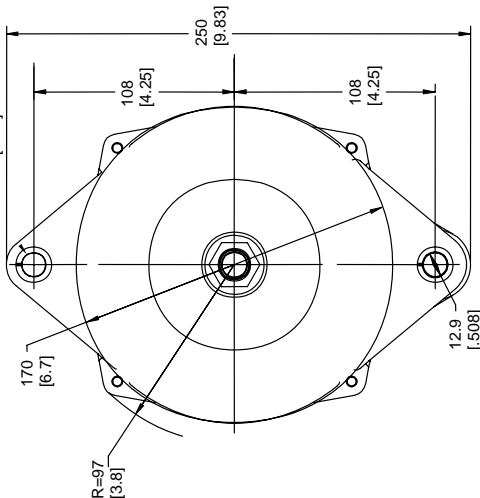


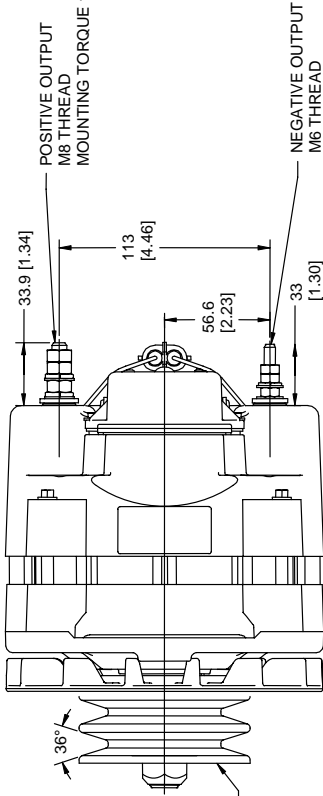
PULLEY HUB DETAIL



RECOMMENDED
 PULLEY HUB LENGTH



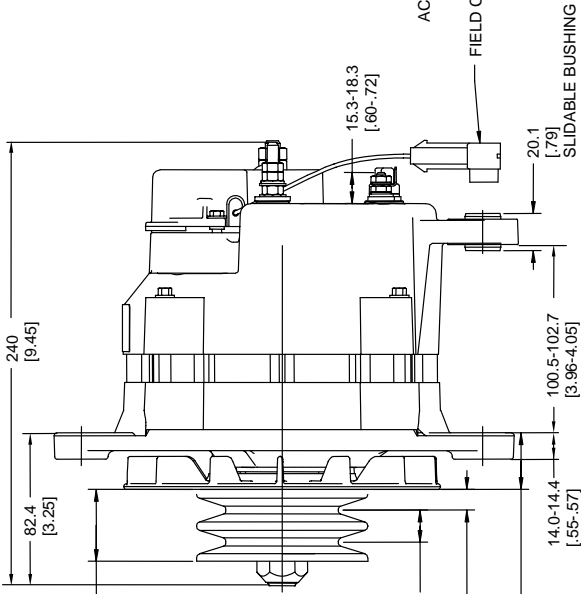
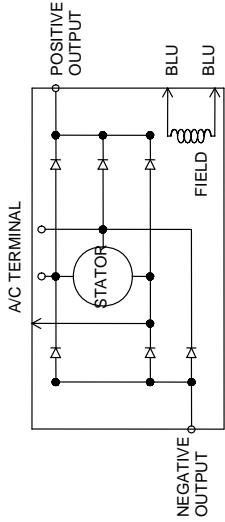
NOMINAL DIAMETER
 IS 89 [3.5]



POSITIVE OUTPUT
 M8 THREAD
 MOUNTING TORQUE 11.3-12.8 Nm [110-110 InLbs]

NEGATIVE OUTPUT
 M6 THREAD
 MOUNTING TORQUE 7.9-9.0 Nm [75-80 InLbs]

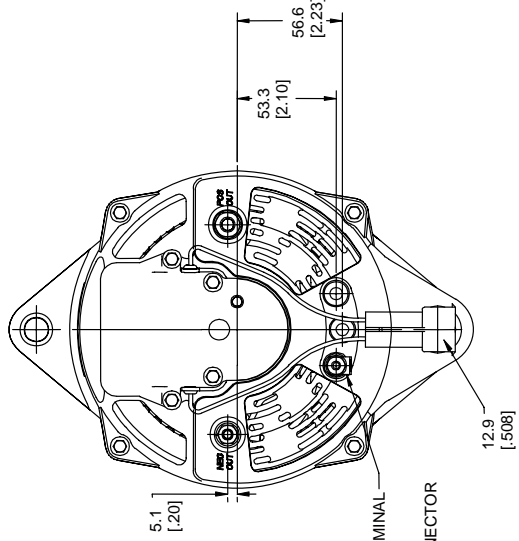
WIRING DIAGRAM



AC TERMINAL

FIELD CONNECTOR

SLIDABLE BUSHING



DIMENSIONS IN MM [INCH]