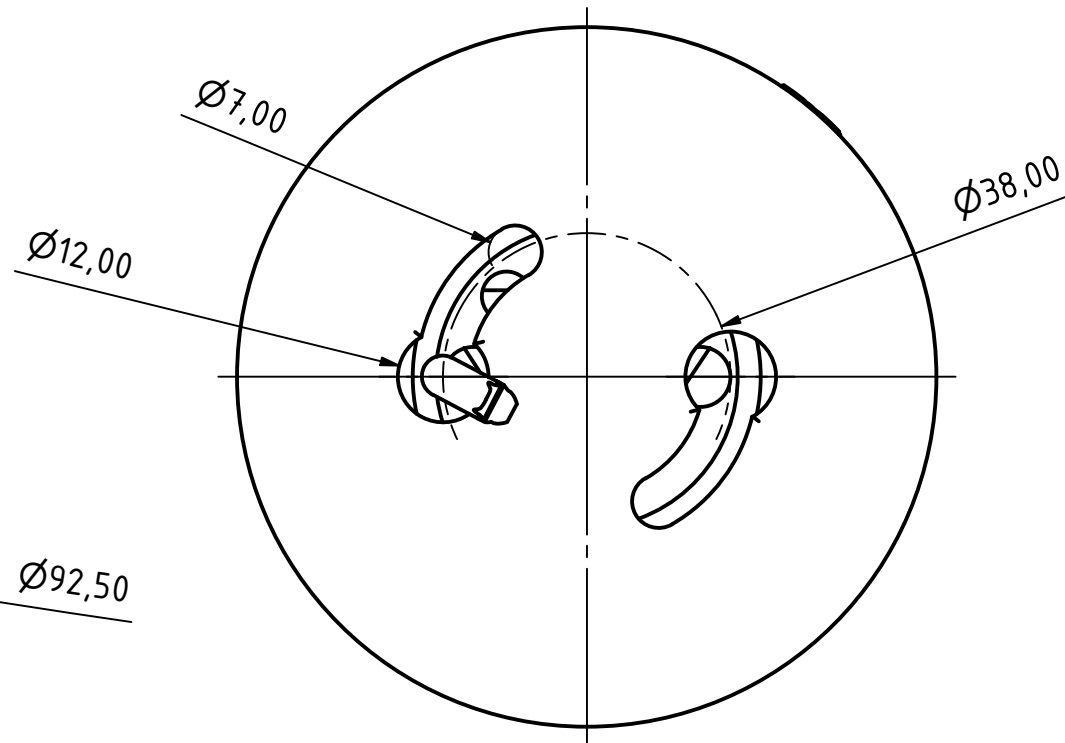
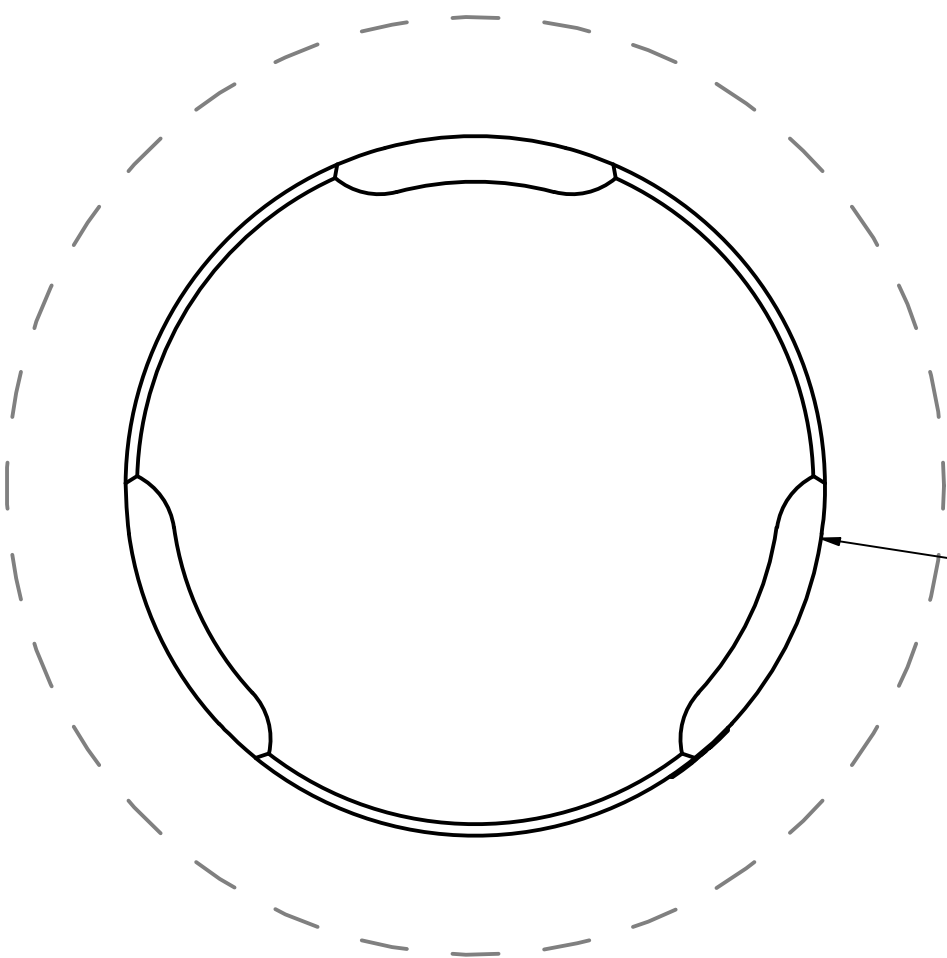


Yellow/Amber
Strobe 360°

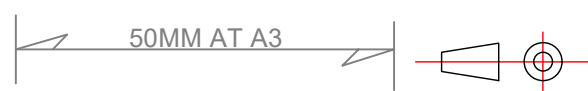


TITLE: 200-023G2S 4nm 360° Yellow/Amber Strobe, on a 400-038 PE std base			
DRAWING NO.:	REV. NO.:	SIZE:	DRAWN BY:
200-023G2S-AA	1	A3	Thomas
SCALE:	TOLERANCES:	REVIEWED BY:	CREATION DATE:
1 : 1	DS/ISO 2768-f		04-10-2021
MATERIAL DESCRIPTION: Alu. EN6082, Acrylic, PE (20µ) Silver anodized according to EN ISO 7599 (50µ) Black anodized according to MIL-A 8625F			

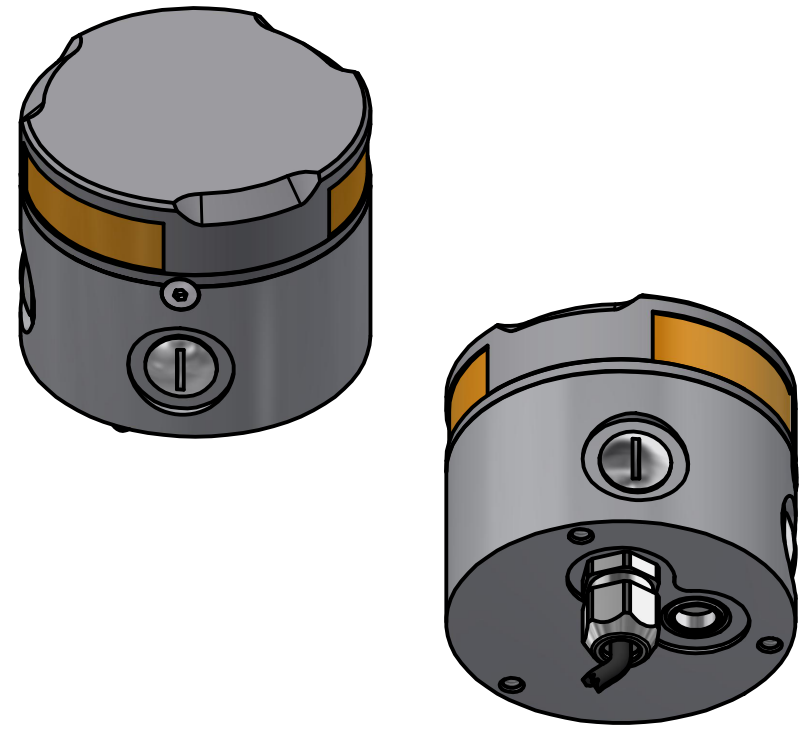
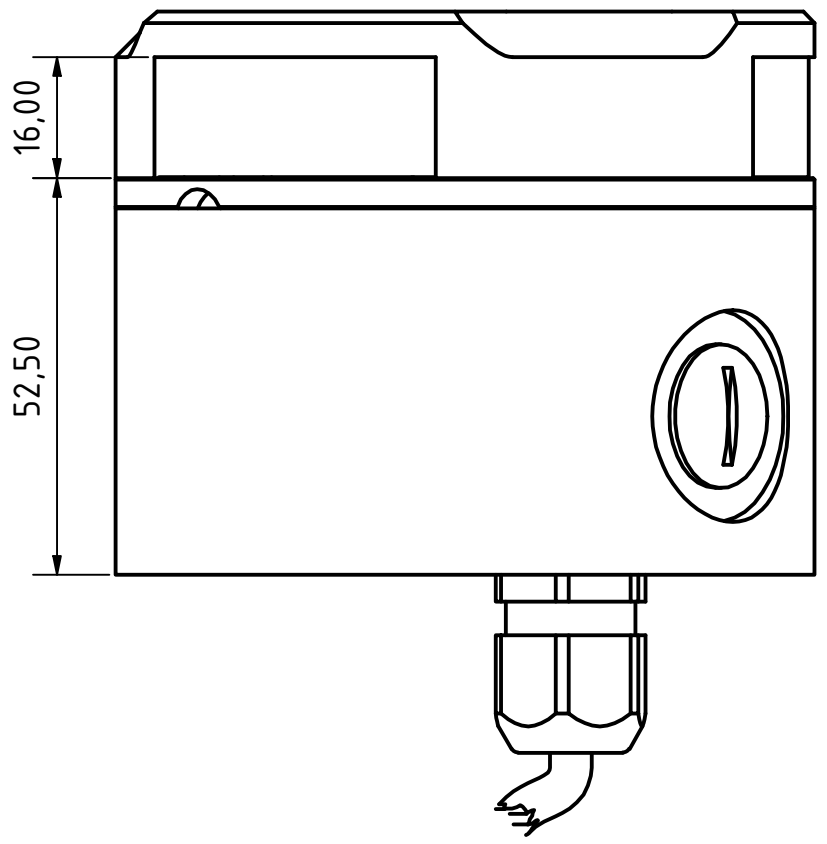
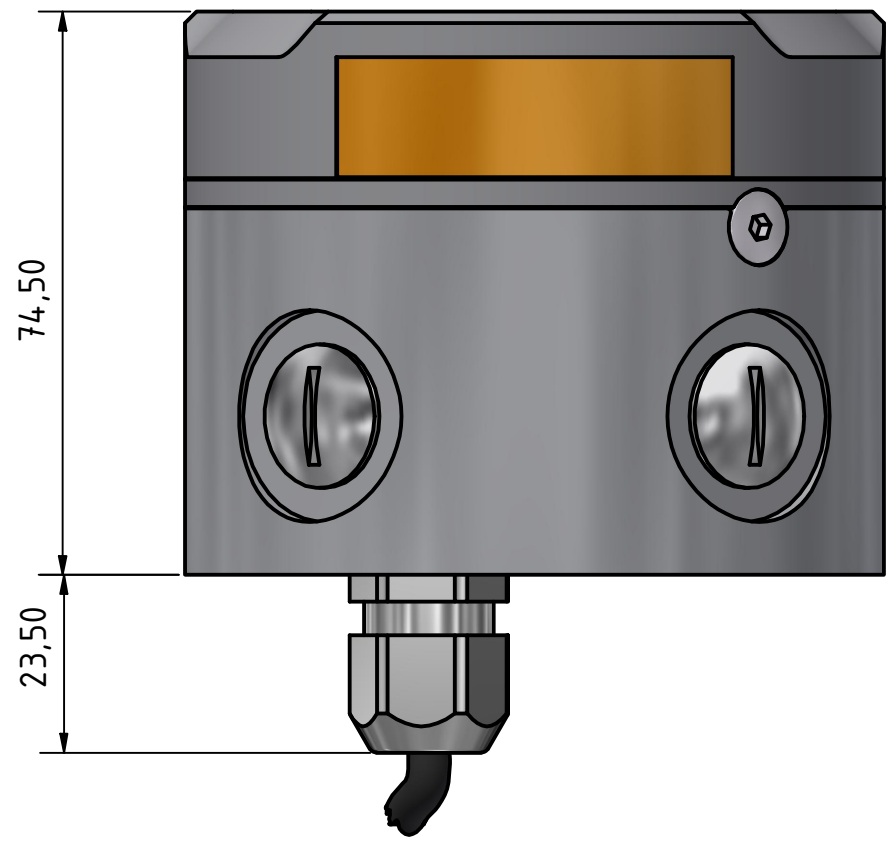


Lopolight ApS
Bakkegaardsvej 513
DK-3050, Humlebaek
Denmark
www.lopolight.com

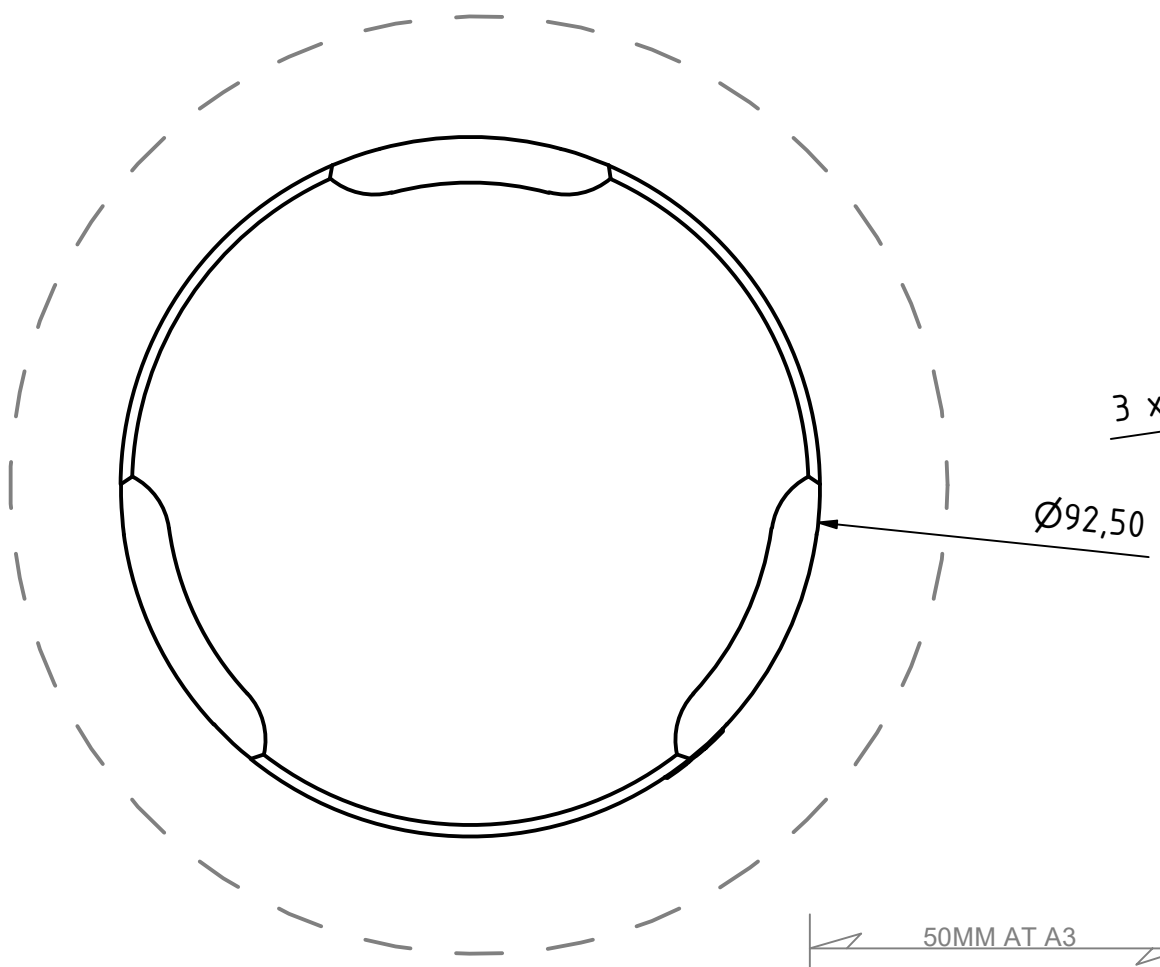
Tel:(+45) 32 48 50 30
info@lopolight.com



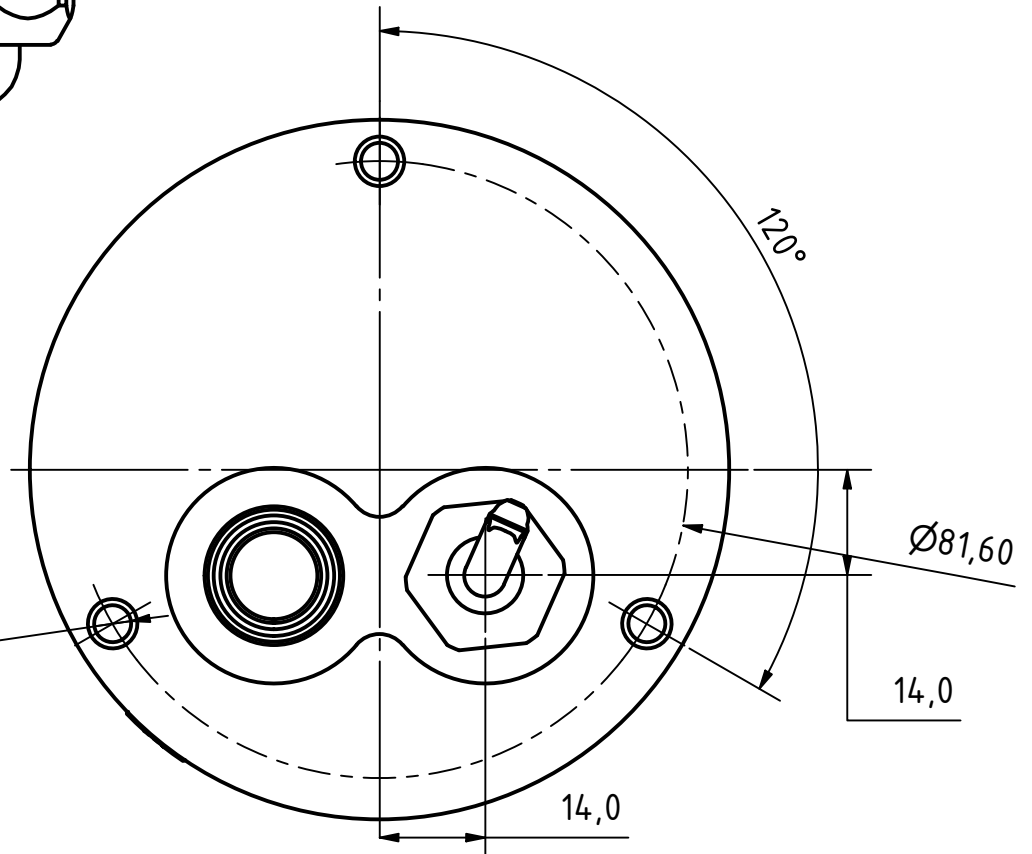
This Drawing, and the information within, is the property of Lopolight ApS and may not be used in any form without express permission there from. Lopolight reserves the right to change this drawing and assumes no liability for the information communicated herein. Use of dimensions and other information in this drawing is at the users own risk.



Yellow/Amber
Strobe 360°



Mounting Holes
3 x M6x1 - 10,00 DEEP

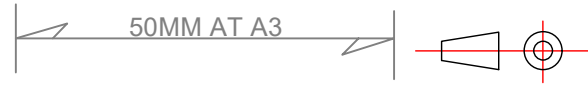


TITLE: 200-023G2S 4nm 360° Yellow/Amber Strobe, on a 400-034 Promount base, cable down			
DRAWING NO.:	REV. NO.:	SIZE:	DRAWN BY:
200-023G2S-BA	1	A3	Thomas
SCALE:	TOLERANCES:	REVIEWED BY:	CREATION DATE:
1 : 1	DS/ISO 2768-f		04-10-2021
MATERIAL DESCRIPTION:		(20µ) Silver anodized according to EN ISO 7599 (50µ) Black anodized according to MIL-A 8625F	
Alu. EN6082, Acrylic			



Lopolight ApS
Bakkegaardsvej 513
DK-3050, Humlebaek
Denmark
www.lopolight.com

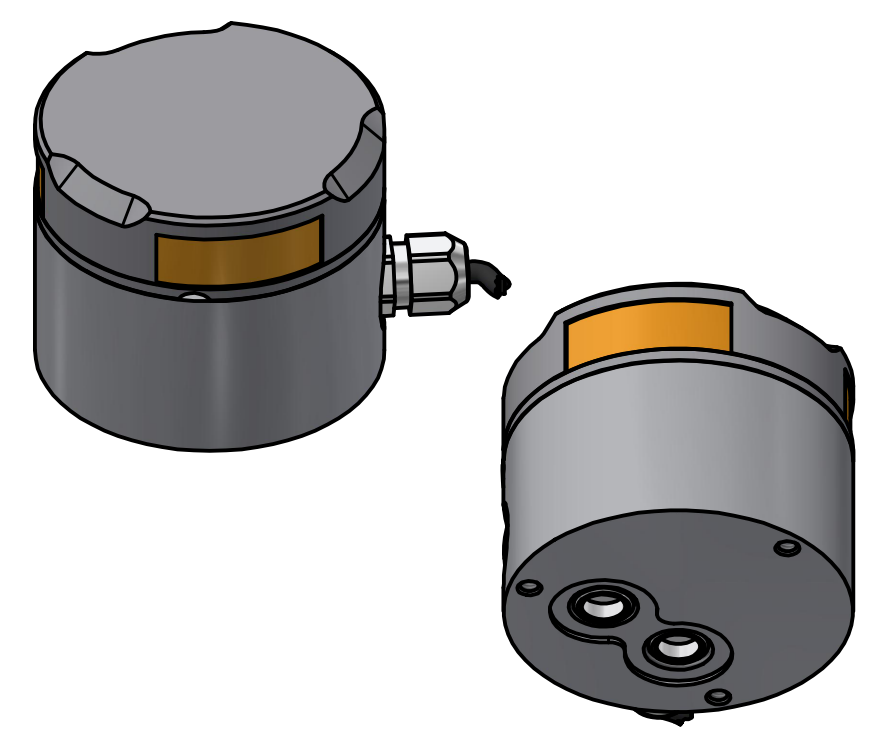
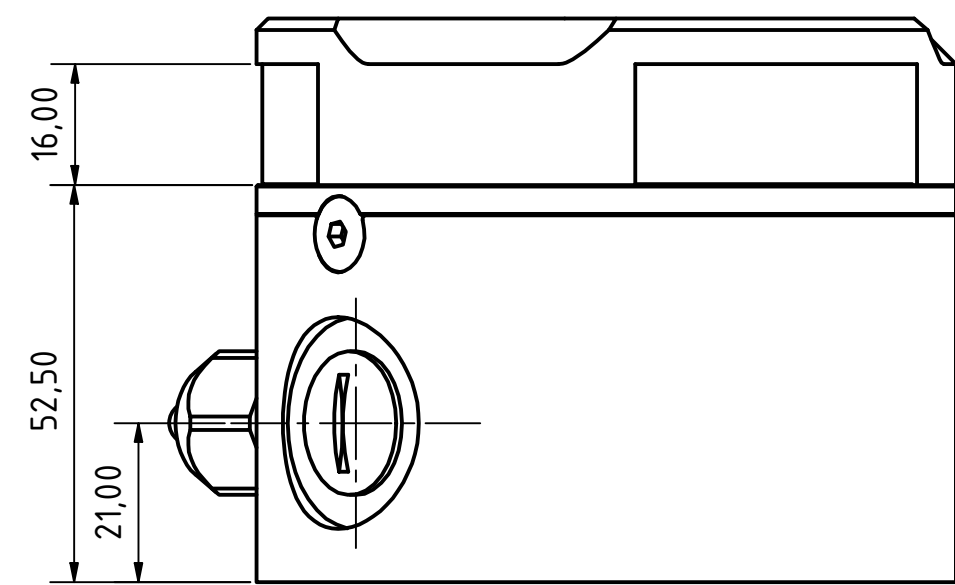
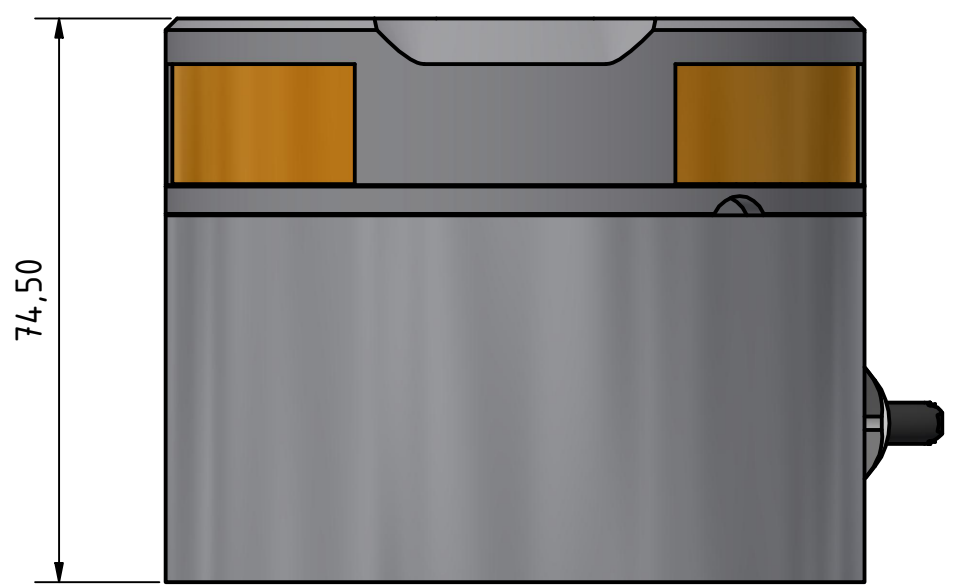
Tel:(+45) 32 48 50 30
info@lopolight.com



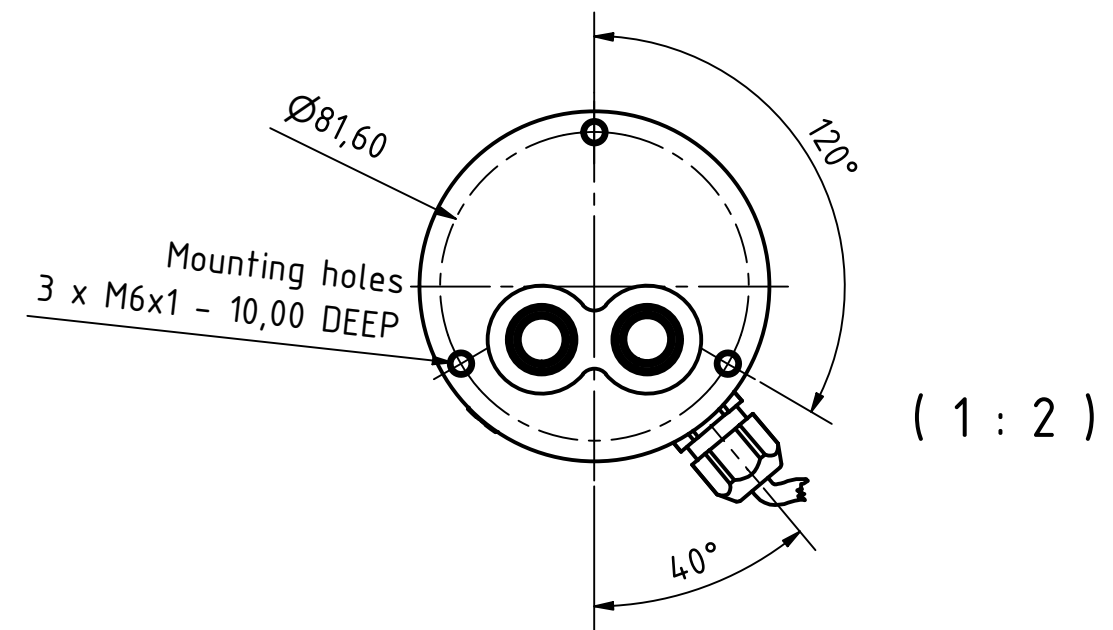
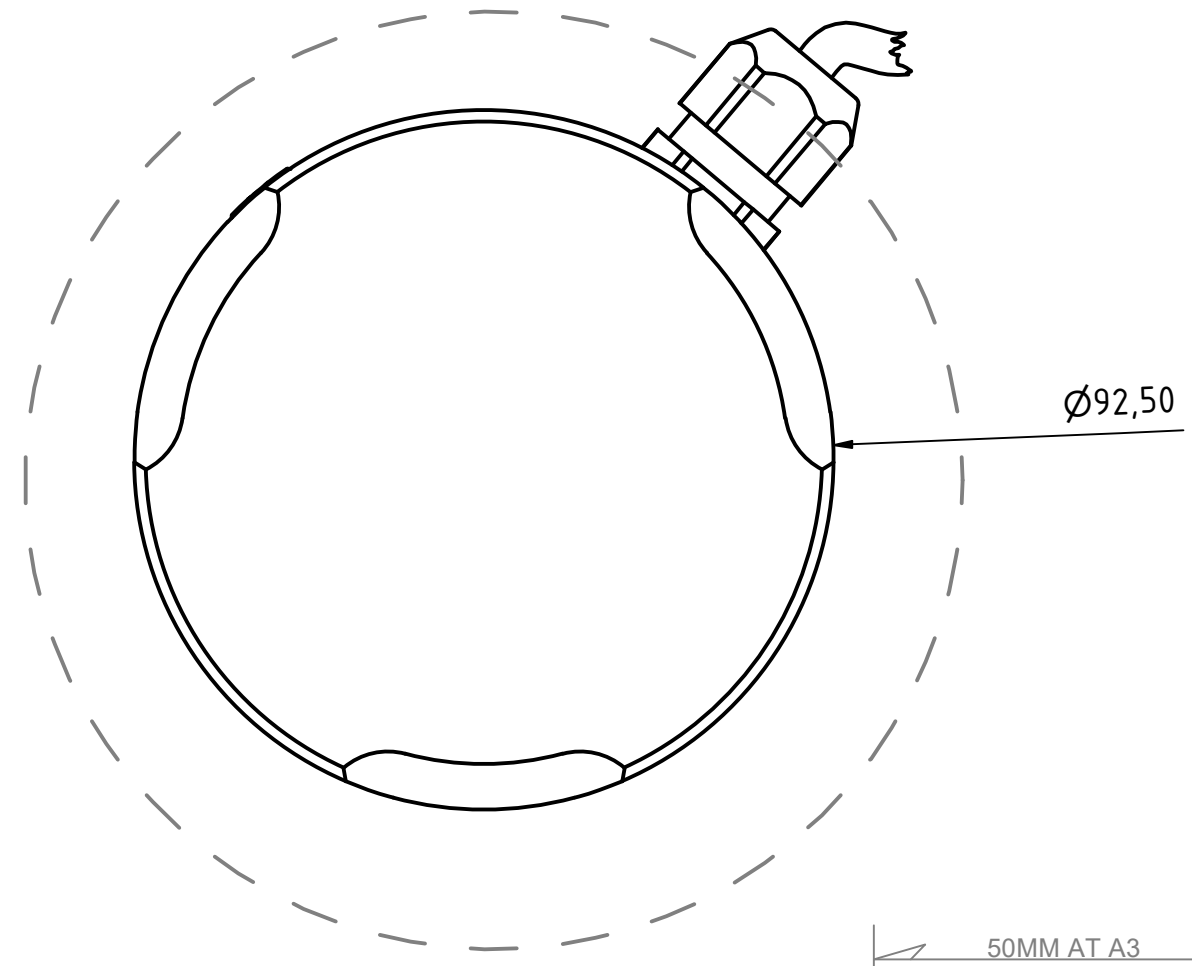
This Drawing, and the information within, is the property of Lopolight ApS and may not be used in any form without express permission there from. Lopolight reserves the right to change this drawing and assumes no liability for the information communicated herein. Use of dimensions and other information in this drawing is at the users own risk.

A B C D E F G H I J

1 2 3 4 5 6 7 8



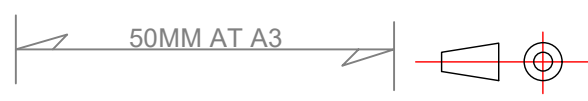
Yellow/Amber
Strobe 360°



TITLE: 200-023G2S 4nm 360° Yellow/Amber Strobe, on a 400-034 Promount base, cable Side			
DRAWING NO.:	REV. NO.:	SIZE:	DRAWN BY:
200-023G2S-CA	1	A3	Thomas
SCALE:	TOLERANCES:	REVIEWED BY:	CREATION DATE:
1 : 1	DS/ISO 2768-f		04-10-2021
MATERIAL DESCRIPTION:		(20µ) Silver anodized according to EN ISO 7599 (50µ) Black anodized according to MIL-A 8625F	
Alu. EN6082, Acrylic			

LOPOLIGHT

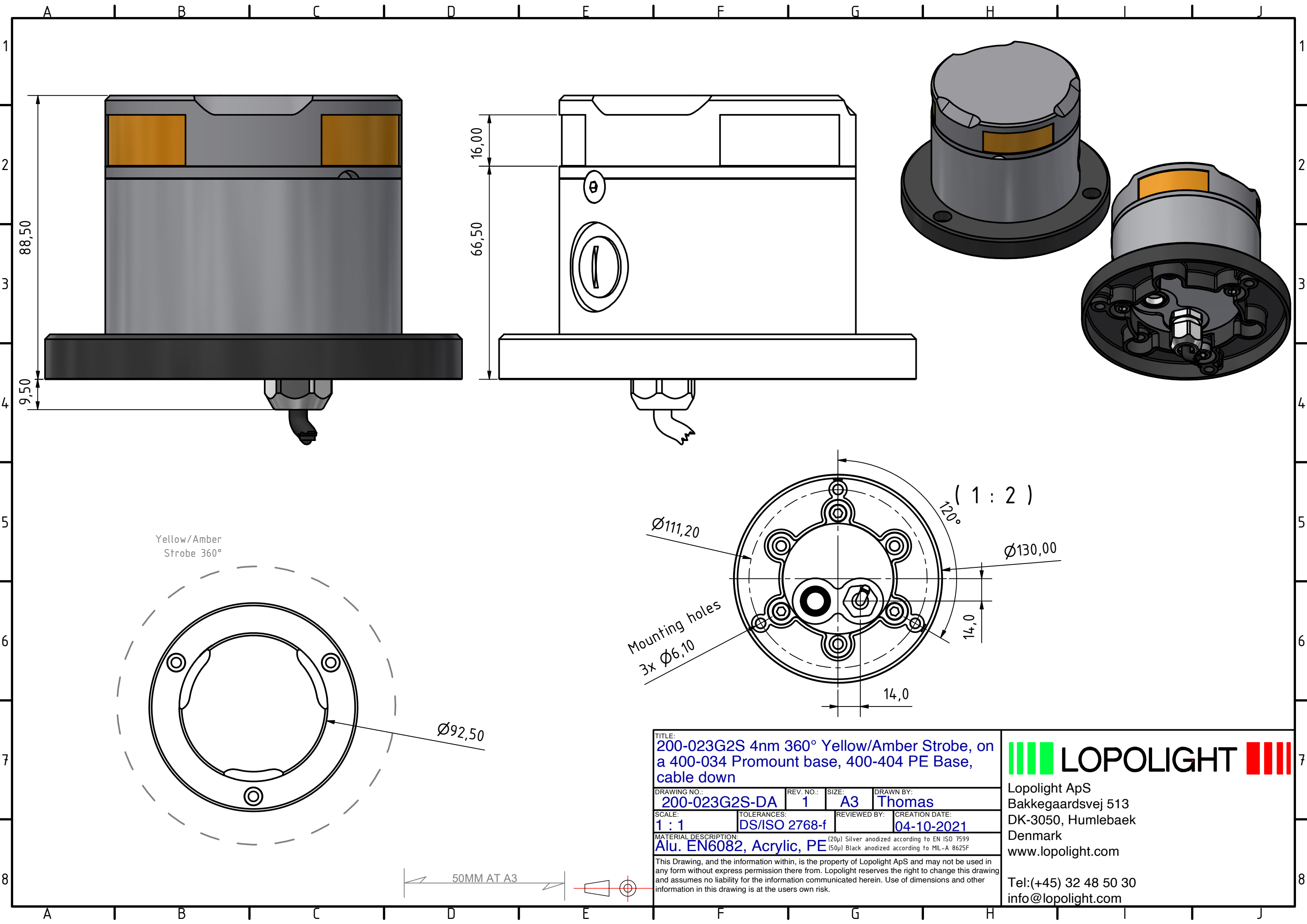
Lopolight ApS
 Bakkegaardsvej 513
 DK-3050, Humlebaek
 Denmark
www.lopolight.com
 Tel:(+45) 32 48 50 30
info@lopolight.com



This Drawing, and the information within, is the property of Lopolight ApS and may not be used in any form without express permission there from. Lopolight reserves the right to change this drawing and assumes no liability for the information communicated herein. Use of dimensions and other information in this drawing is at the users own risk.

A B C D E F G H I J

8



Yellow/Amber
Strobe 360°

Ø92,50

Ø111,20

Ø130,00

Mounting holes
3x Ø6,10

14,0

14,0

(1 : 2)

TITLE:
**200-023G2S 4nm 360° Yellow/Amber Strobe, on
a 400-034 Promount base, 400-404 PE Base,
cable down**

DRAWING NO.: **200-023G2S-DA** REV. NO.: **1** SIZE: **A3** DRAWN BY: **Thomas**

SCALE: **1 : 1** TOLERANCES: **DS/ISO 2768-f** REVIEWED BY: CREATION DATE: **04-10-2021**

MATERIAL DESCRIPTION:
Alu. EN6082, Acrylic, PE (20µ) Silver anodized according to EN ISO 7599
(50µ) Black anodized according to MIL-A 8625F

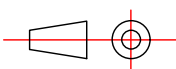
This Drawing, and the information within, is the property of Lopolight ApS and may not be used in any form without express permission there from. Lopolight reserves the right to change this drawing and assumes no liability for the information communicated herein. Use of dimensions and other information in this drawing is at the users own risk.

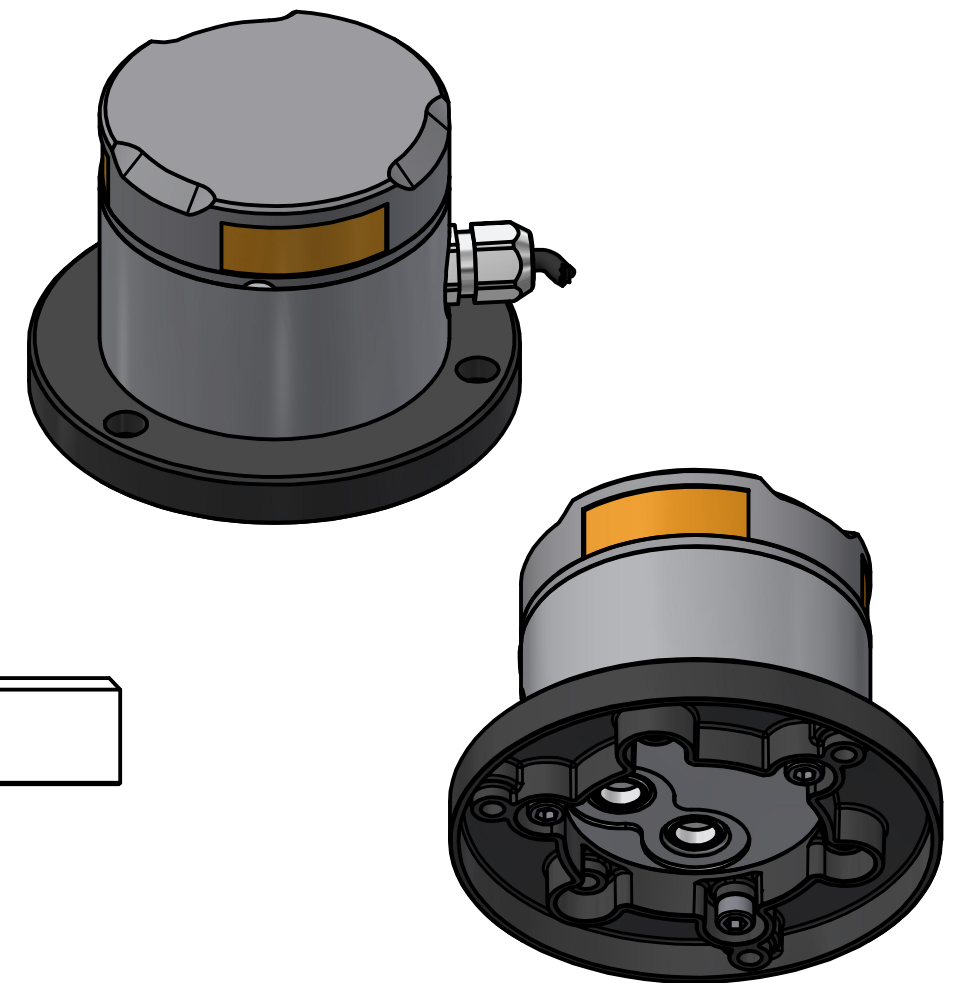
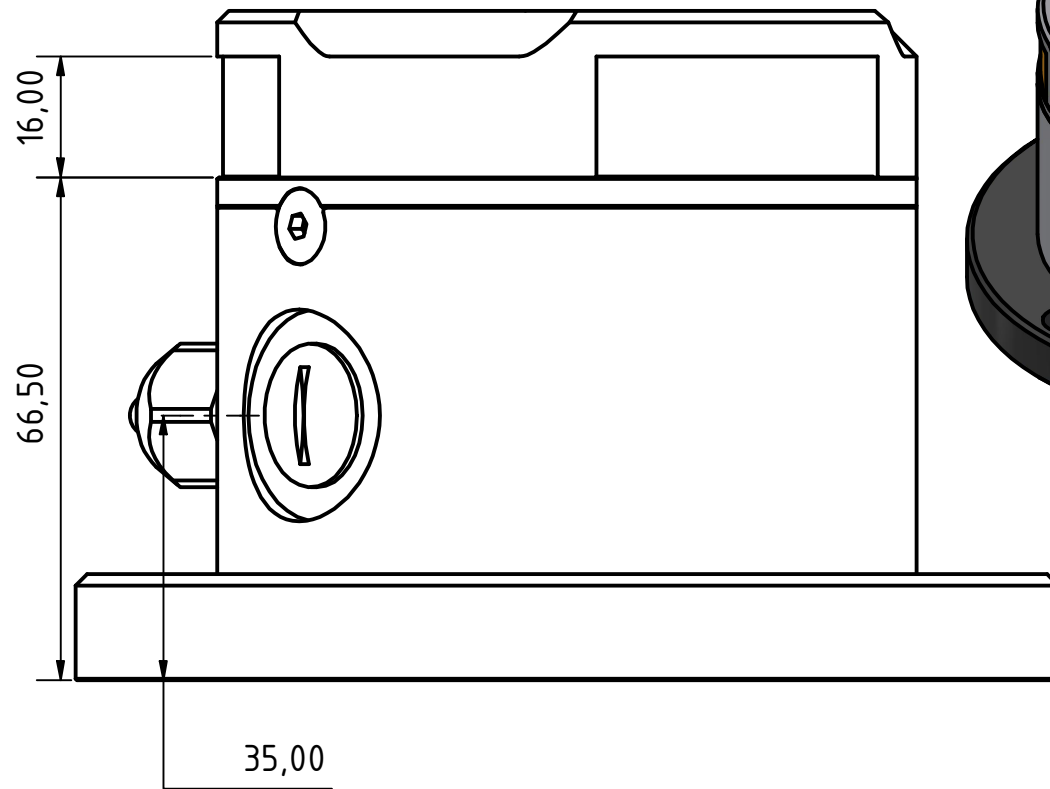
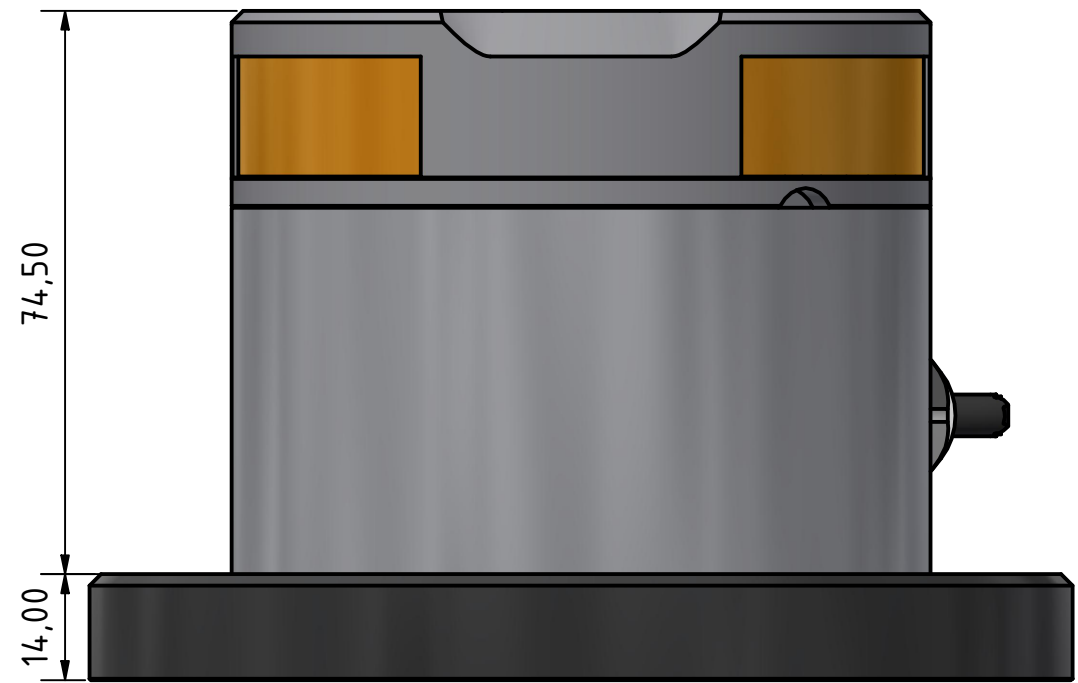


Lopolight ApS
Bakkegaardsvej 513
DK-3050, Humlebaek
Denmark
www.lopolight.com

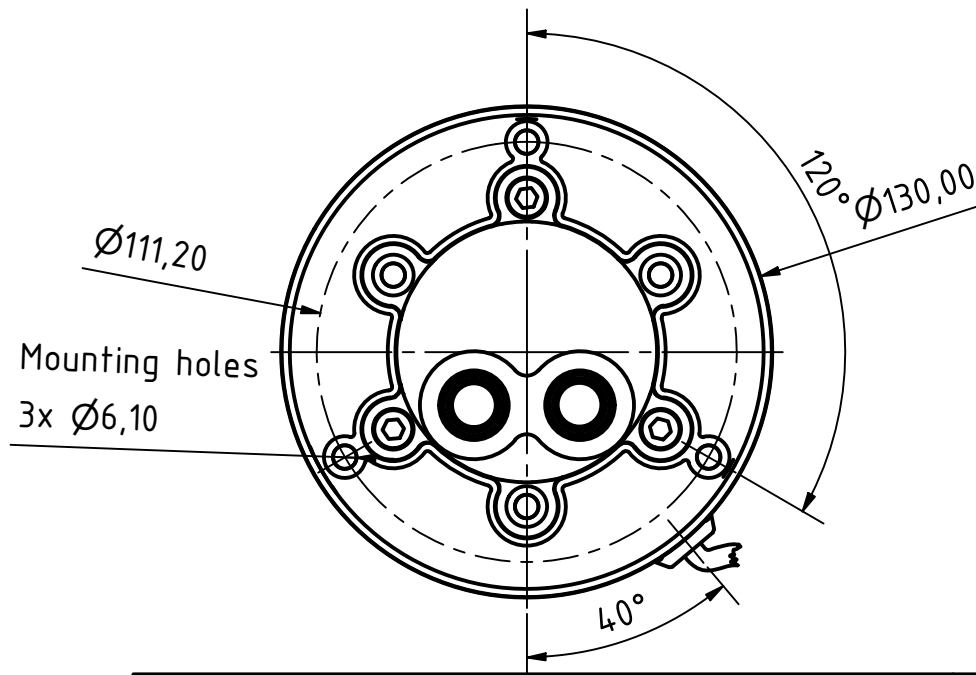
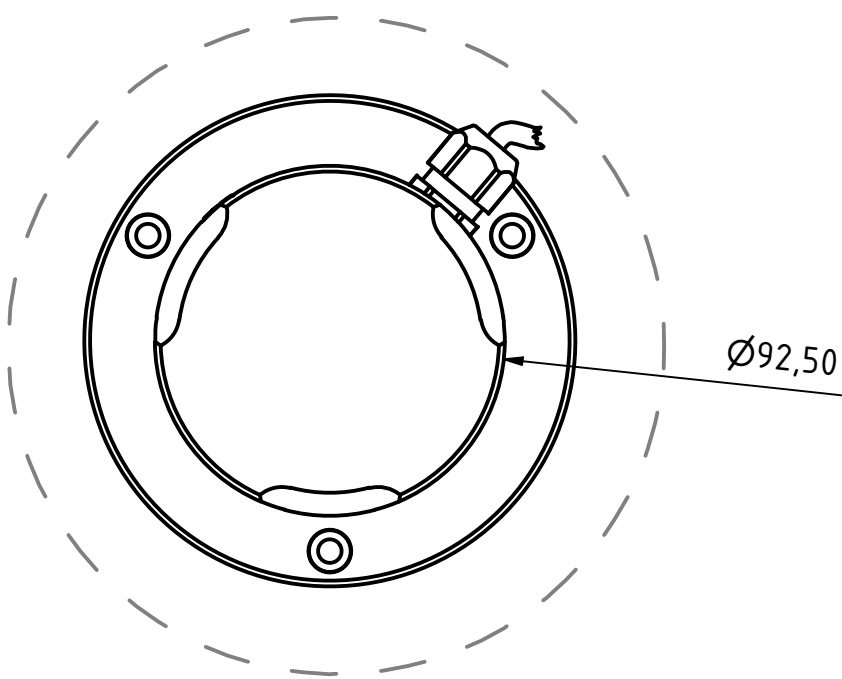
Tel:(+45) 32 48 50 30
info@lopolight.com

50MM AT A3





Yellow/Amber
Strobe 360°



TITLE: 200-023G2S 4nm 360° Yellow/Amber Strobe, on a 400-034 Promount base, 400-404 PE Base, cable side			
DRAWING NO.:	REV. NO.:	SIZE:	DRAWN BY:
200-023G2S-EA	1	A3	Thomas
SCALE:	TOLERANCES:	REVIEWED BY:	CREATION DATE:
1 : 1	DS/ISO 2768-f		04-10-2021
MATERIAL DESCRIPTION: Alu. EN6082, Acrylic, PE (20µ) Silver anodized according to EN ISO 7599 (50µ) Black anodized according to MIL-A 8625F			

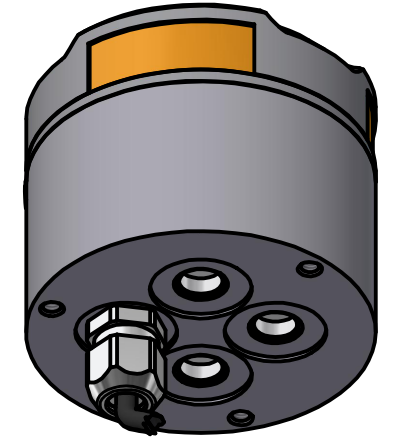
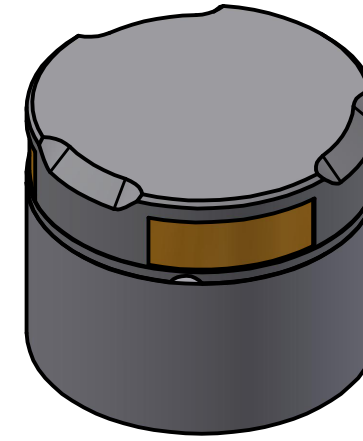
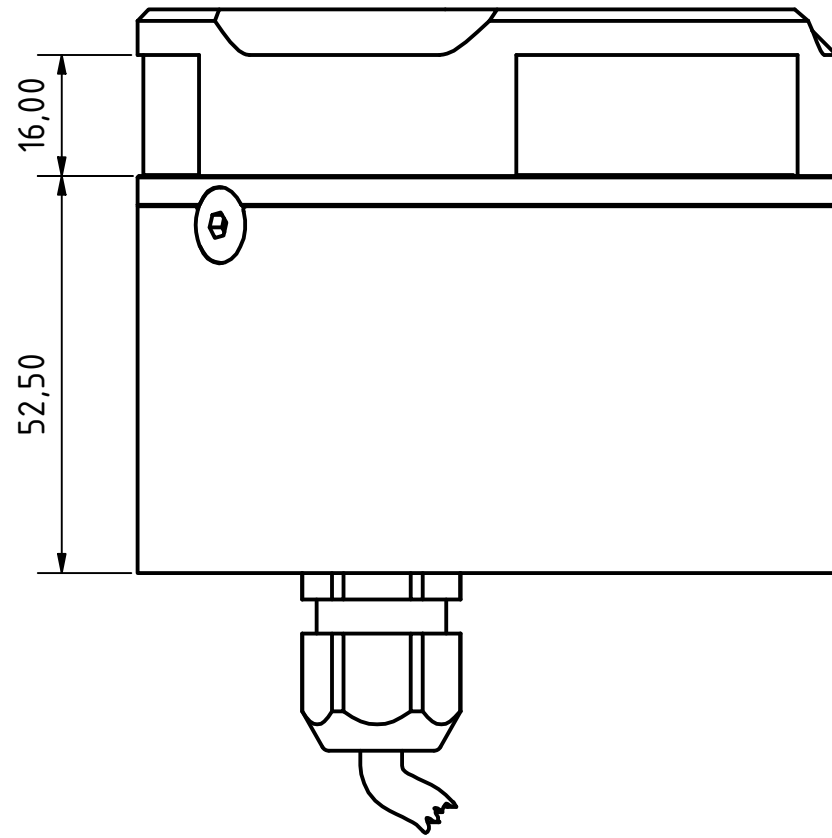
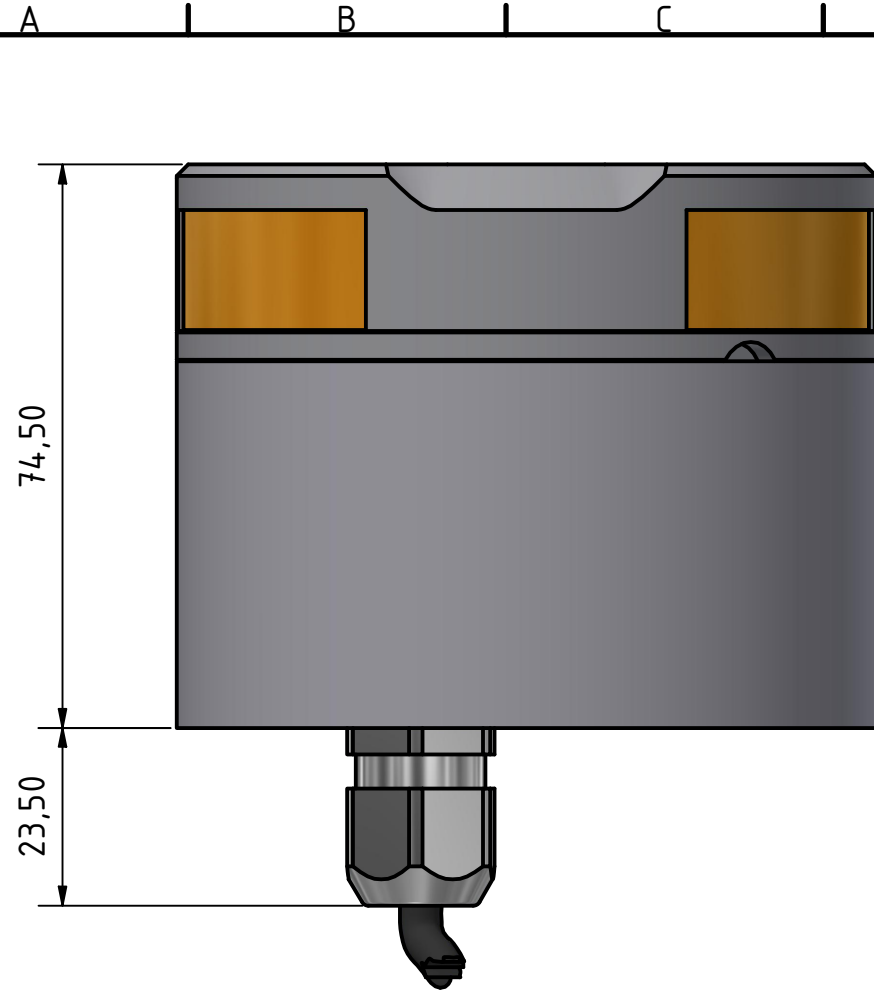
This Drawing, and the information within, is the property of Lopolight ApS and may not be used in any form without express permission there from. Lopolight reserves the right to change this drawing and assumes no liability for the information communicated herein. Use of dimensions and other information in this drawing is at the users own risk.



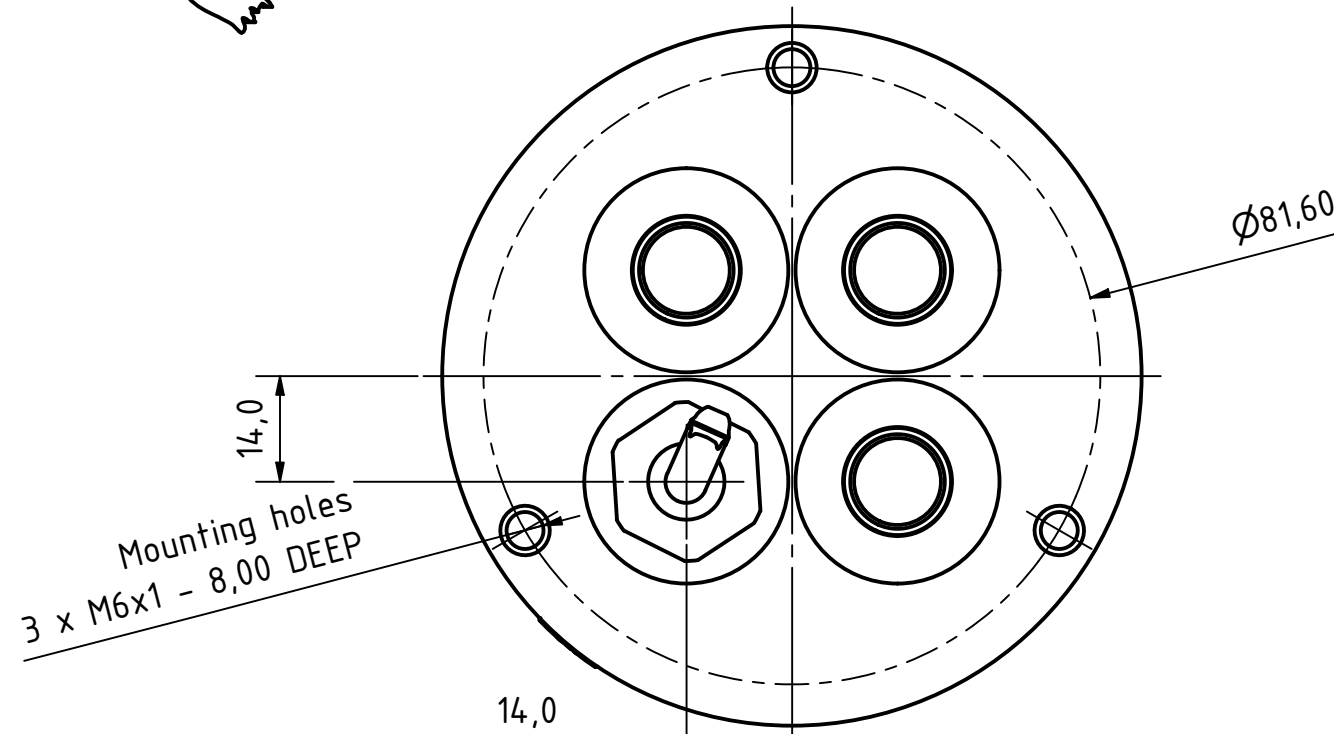
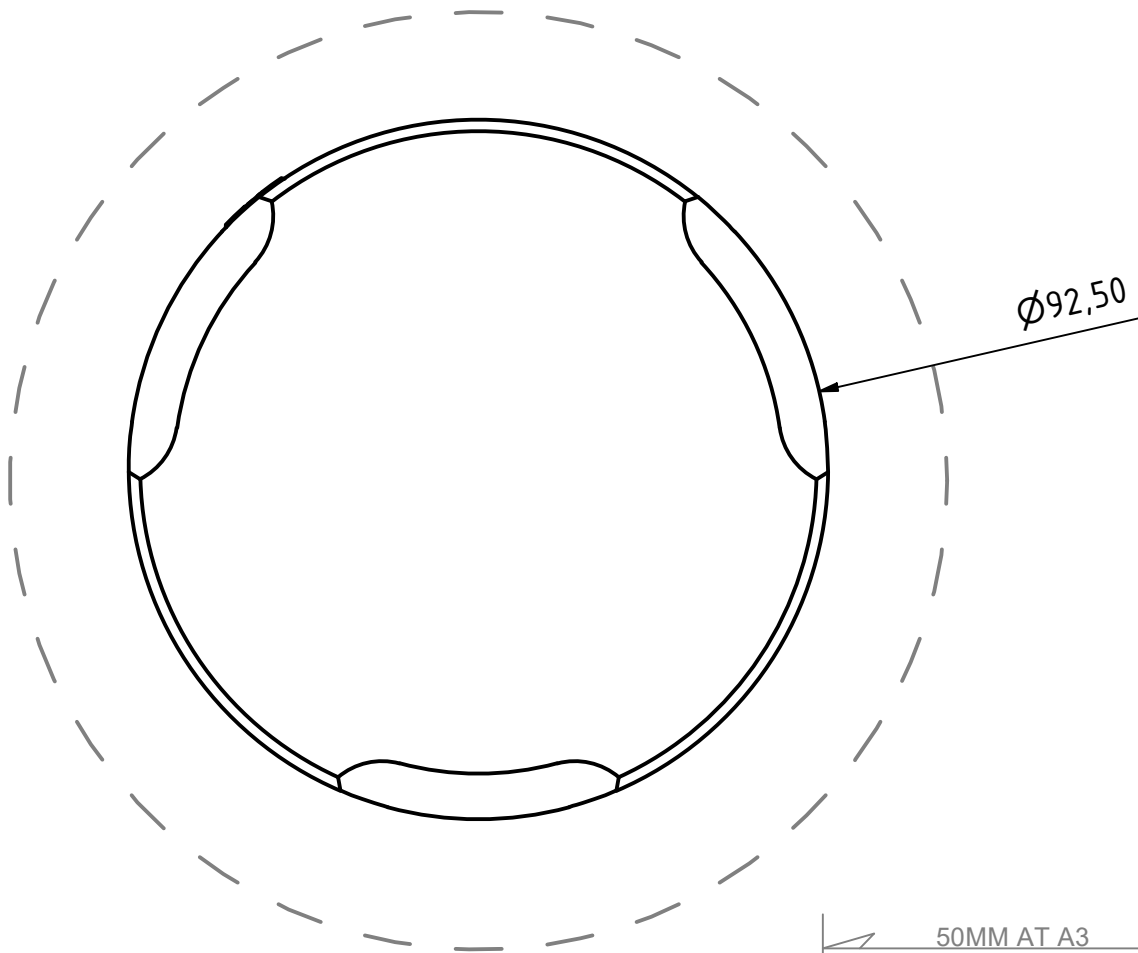
Lopolight ApS
Bakkegaardsvej 513
DK-3050, Humlebaek
Denmark
www.lopolight.com

Tel:(+45) 32 48 50 30
info@lopolight.com





Yellow/Amber
Strobe 360°



TITLE:
200-023G2S 4nm 360° Yellow/Amber Strobe, on
a 400-035 Promount base, cable down

DRAWING NO.: 200-023G2S-FA REV. NO.: 1 SIZE: A3 DRAWN BY: Thomas

SCALE: 1:1 TOLERANCES: DS/ISO 2768-f REVIEWED BY: CREATION DATE: 04-10-2021

MATERIAL DESCRIPTION:
Alu. EN6082, Acrylic (20µ) Silver anodized according to EN ISO 7599 (50µ) Black anodized according to MIL-A 8625F

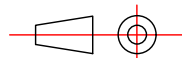
This Drawing, and the information within, is the property of Lopolight ApS and may not be used in any form without express permission there from. Lopolight reserves the right to change this drawing and assumes no liability for the information communicated herein. Use of dimensions and other information in this drawing is at the users own risk.

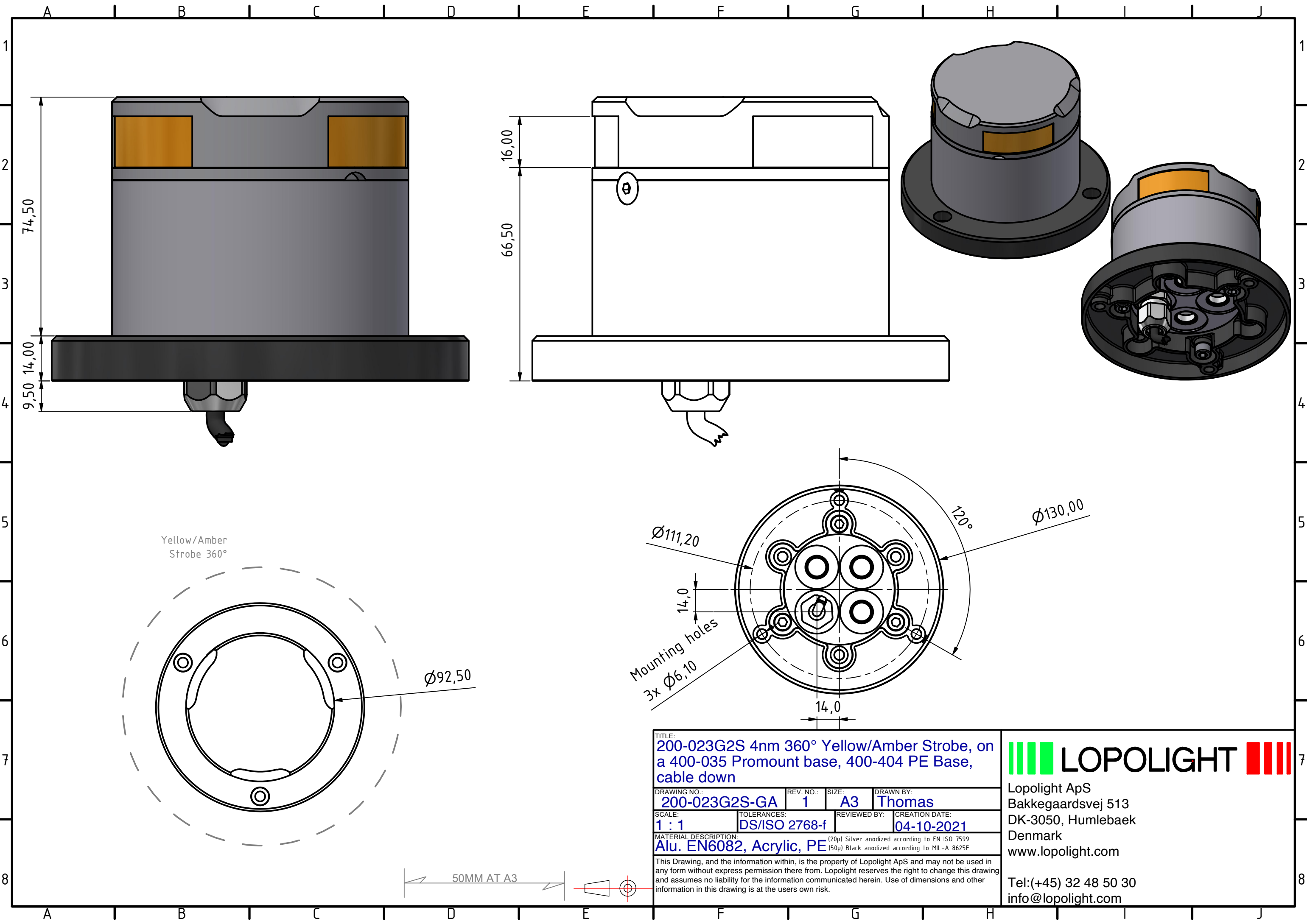


Lopolight ApS
Bakkegaardsvej 513
DK-3050, Humlebaek
Denmark
www.lopolight.com

Tel:(+45) 32 48 50 30
info@lopolight.com

50MM AT A3





Yellow/Amber
Strobe 360°

Ø92,50

Ø111,20

Ø130,00

Mounting holes
3x Ø6,10

14,0

120°

50MM AT A3

TITLE: 200-023G2S 4nm 360° Yellow/Amber Strobe, on a 400-035 Promount base, 400-404 PE Base, cable down			
DRAWING NO.:	REV. NO.:	SIZE:	DRAWN BY:
200-023G2S-GA	1	A3	Thomas
SCALE:	TOLERANCES:	REVIEWED BY:	CREATION DATE:
1 : 1	DS/ISO 2768-f		04-10-2021
MATERIAL DESCRIPTION: Alu. EN6082, Acrylic, PE (20µ) Silver anodized according to EN ISO 7599 (50µ) Black anodized according to MIL-A 8625F			



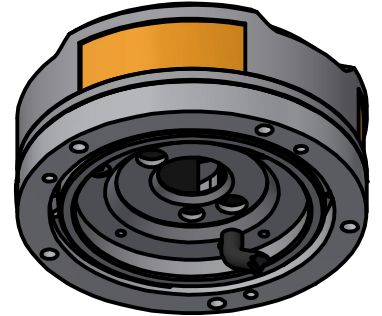
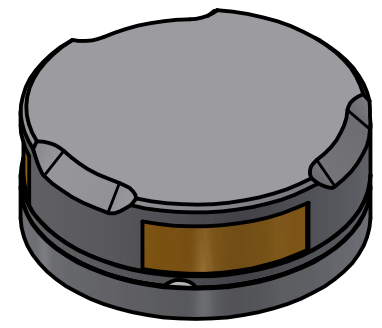
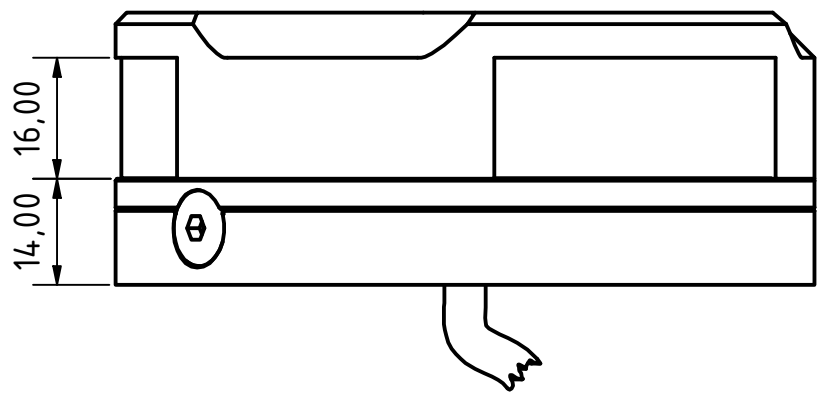
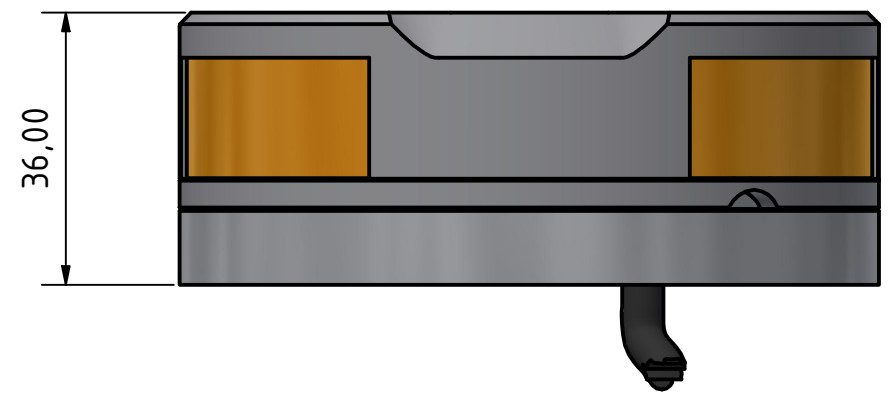
Lopolight ApS
Bakkegaardsvej 513
DK-3050, Humlebaek
Denmark
www.lopolight.com

Tel:(+45) 32 48 50 30
info@lopolight.com

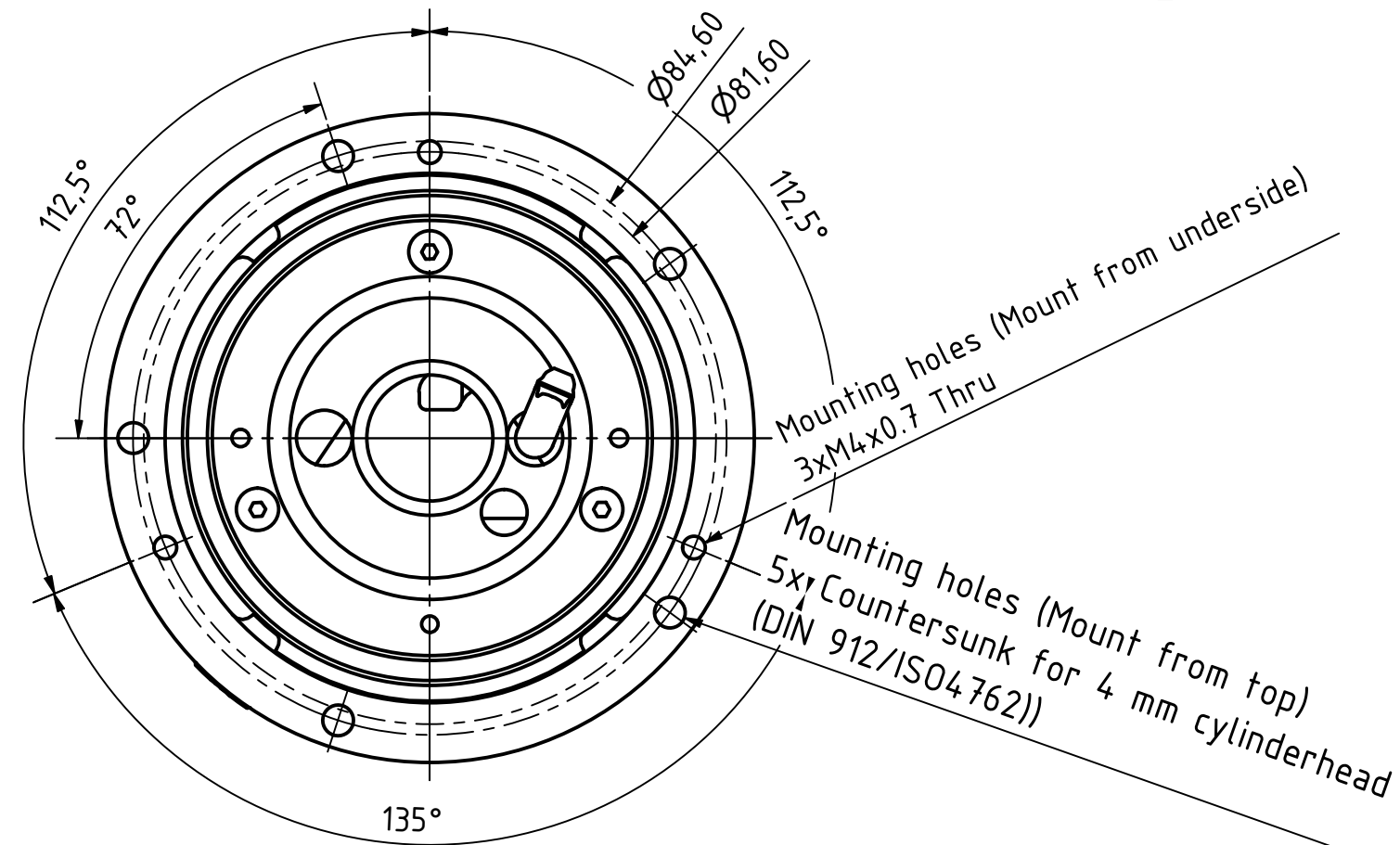
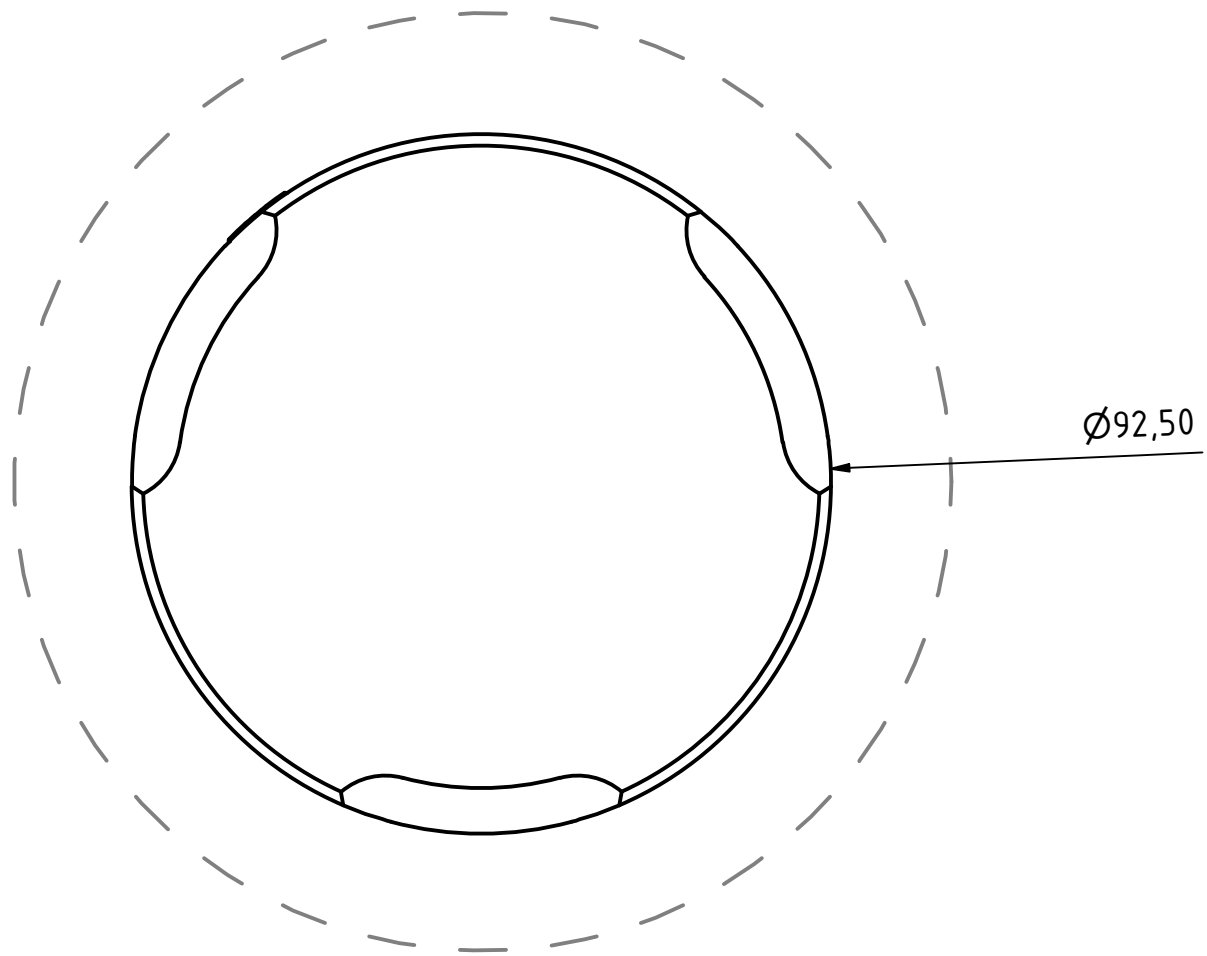
This Drawing, and the information within, is the property of Lopolight ApS and may not be used in any form without express permission there from. Lopolight reserves the right to change this drawing and assumes no liability for the information communicated herein. Use of dimensions and other information in this drawing is at the users own risk.

A B C D E F G H J

1 2 3 4 5 6 7 8



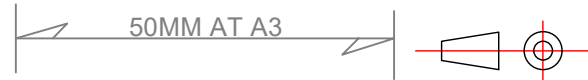
Yellow/Amber
Strobe 360°



TITLE: 200-023G2S 4nm 360° Yellow/Amber Strobe, on a 400-036 Ultra low profile base			
DRAWING NO.:	REV. NO.:	SIZE:	DRAWN BY:
200-023G2S-HA	1	A3	Thomas
SCALE:	TOLERANCES:	REVIEWED BY:	CREATION DATE:
1 : 1	DS/ISO 2768-f		04-10-2021
MATERIAL DESCRIPTION:		(20µ) Silver anodized according to EN ISO 7599 (50µ) Black anodized according to MIL-A 8625F	
Alu. EN6082, Acrylic			
This Drawing, and the information within, is the property of Lopolight ApS and may not be used in any form without express permission there from. Lopolight reserves the right to change this drawing and assumes no liability for the information communicated herein. Use of dimensions and other information in this drawing is at the users own risk.			

LOPOLIGHT

Lopolight ApS
 Bakkegaardsvej 513
 DK-3050, Humlebaek
 Denmark
www.lopolight.com
 Tel: (+45) 32 48 50 30
info@lopolight.com



A B C D E F G H J

8